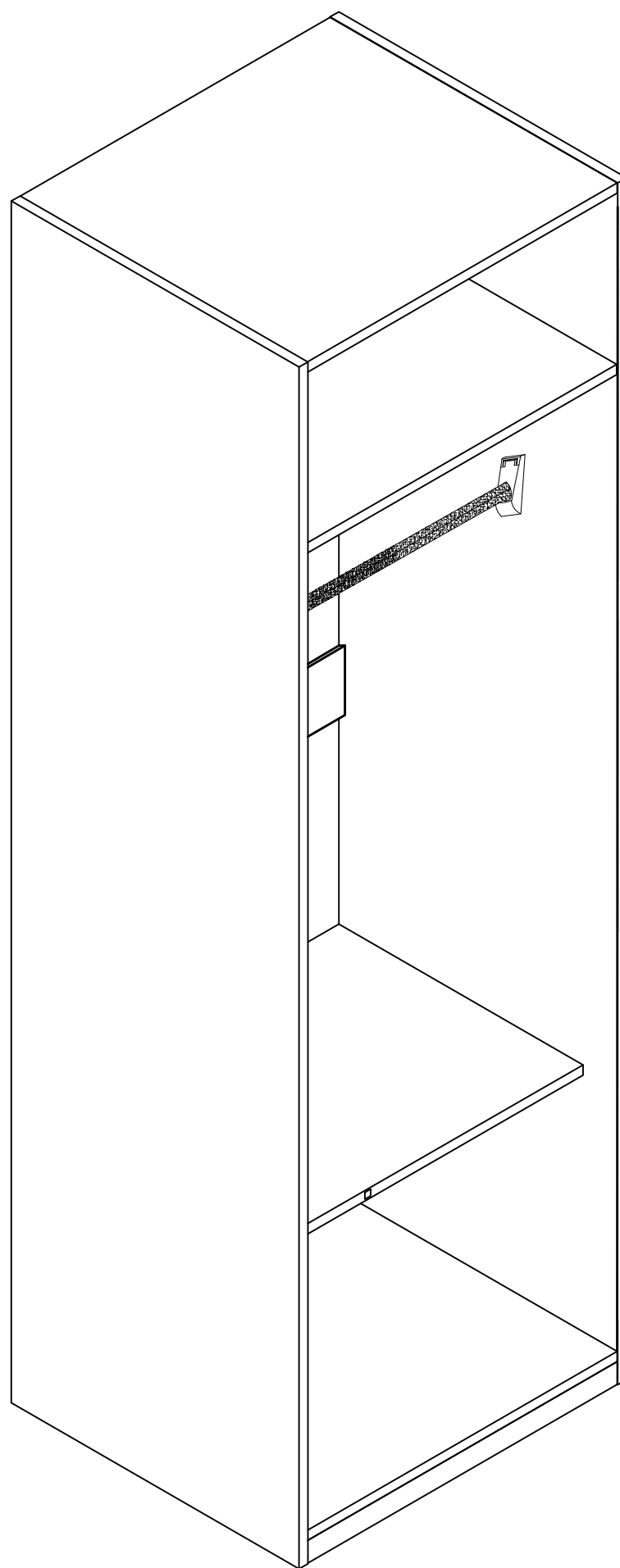
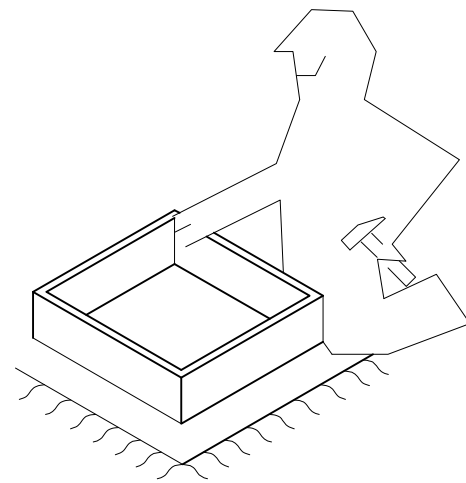
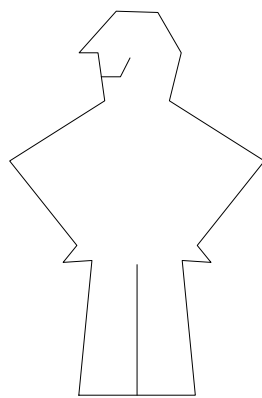
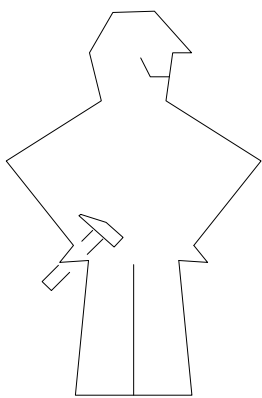
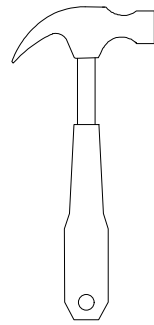
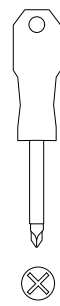
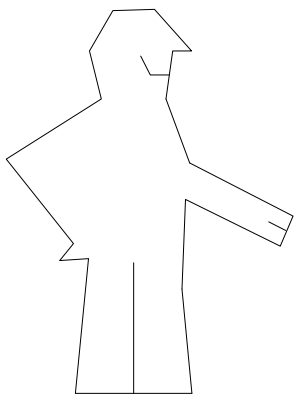


SINGLE DOOR WARDROBE(R)  
INSTALLATION  
MODEL NO: W1001-SR



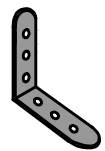
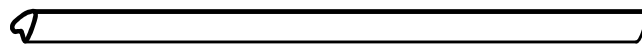
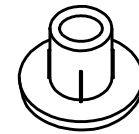
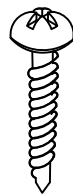
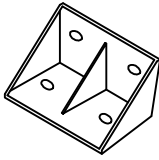
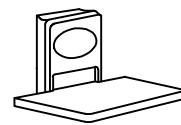
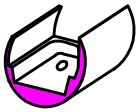
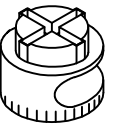
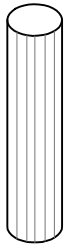
# Tool Needed



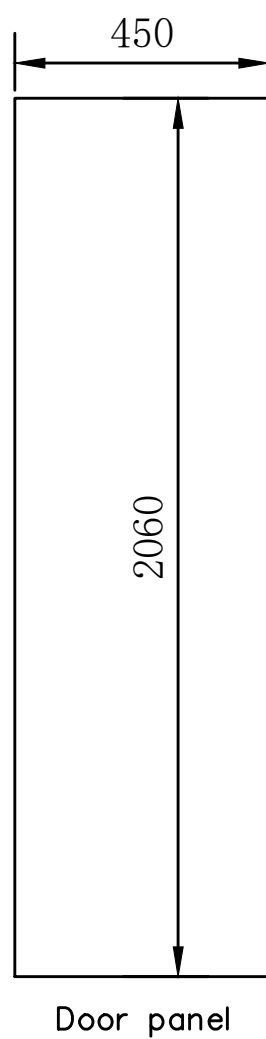
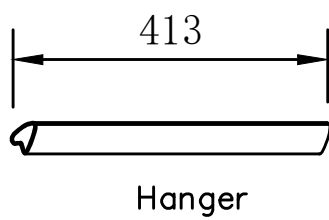
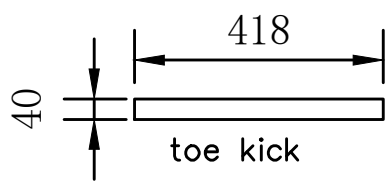
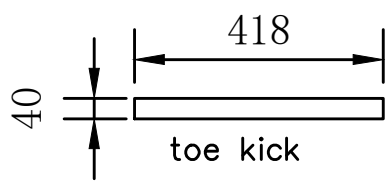
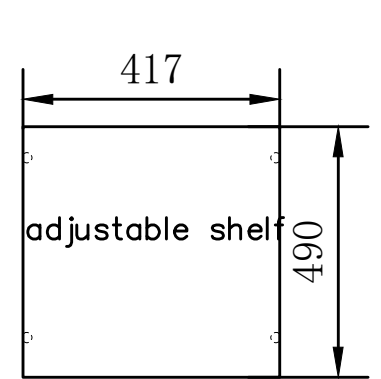
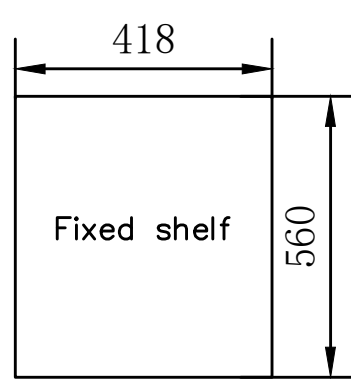
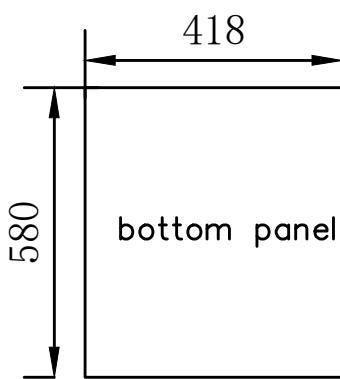
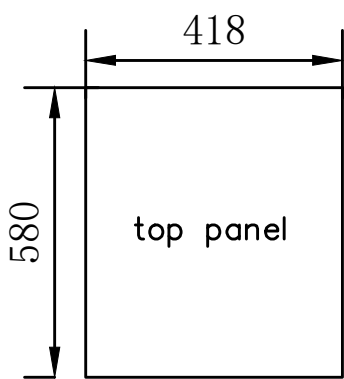
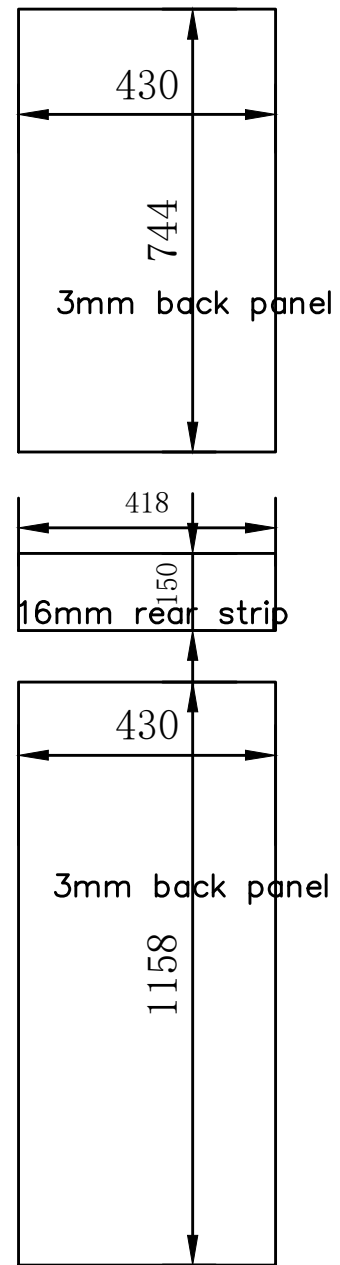
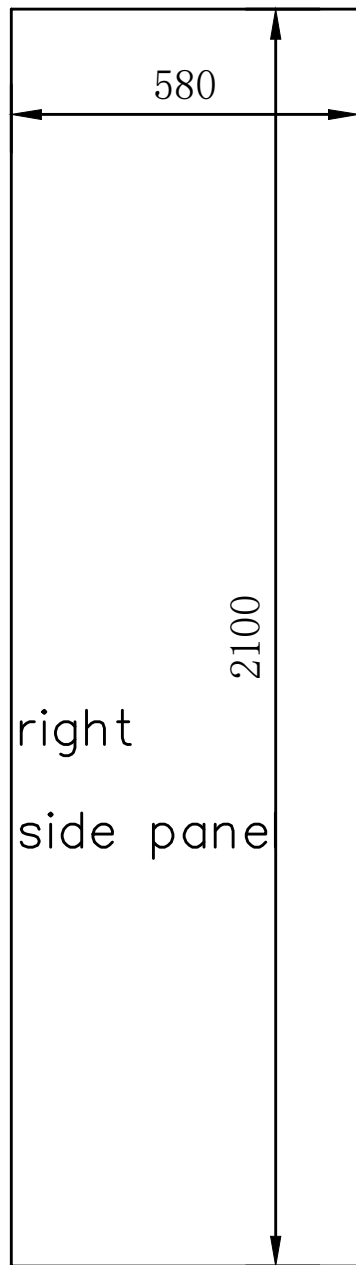
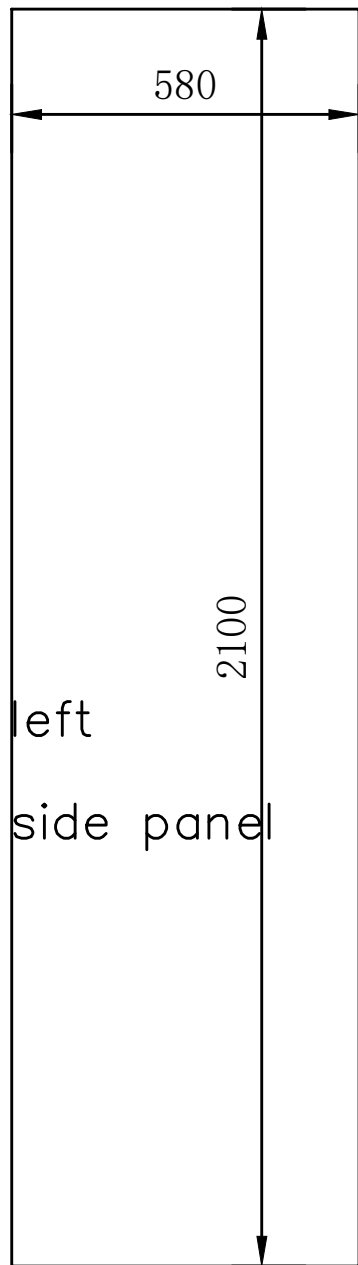
Two Man Work

Protection On Floor

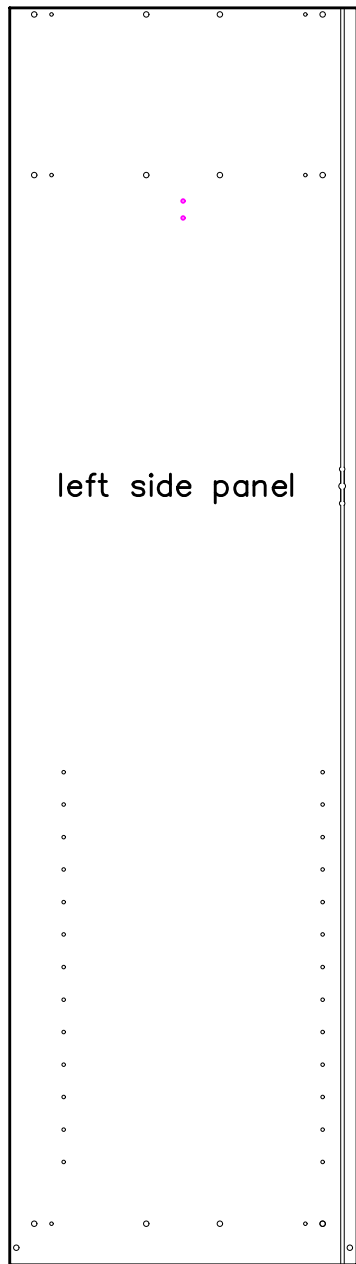
# Accessories Instruction



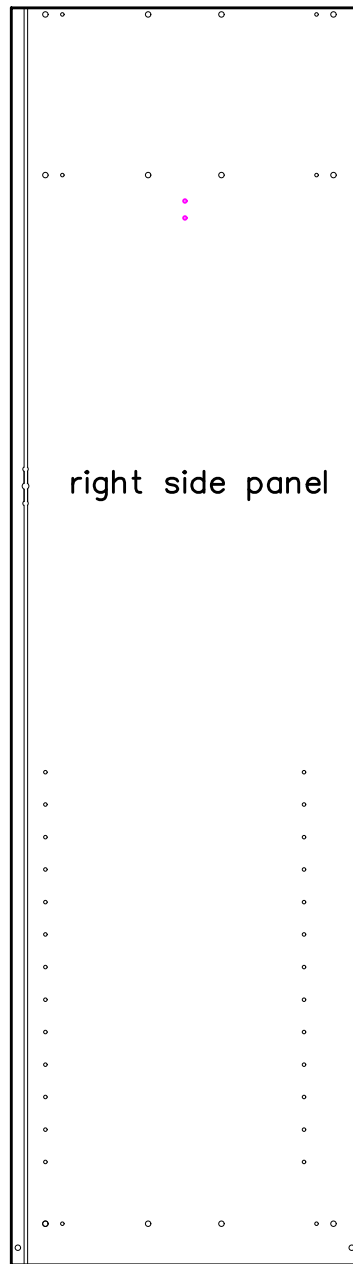
# Size of each panel



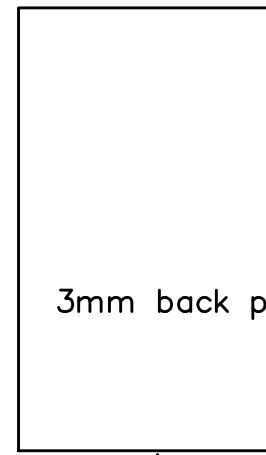
# Size of each panel



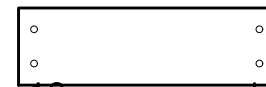
x1



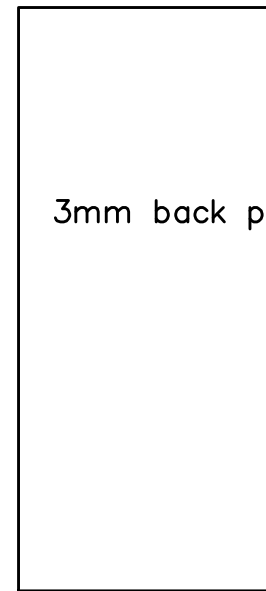
x1



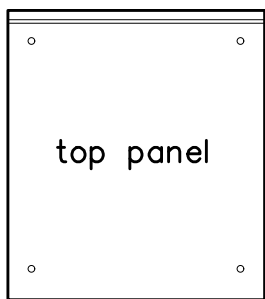
x1



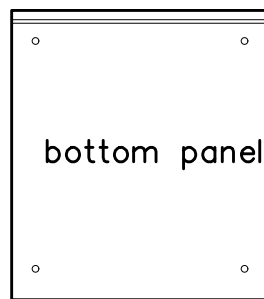
x1



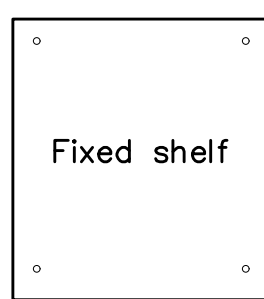
x1



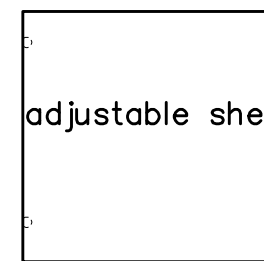
x1



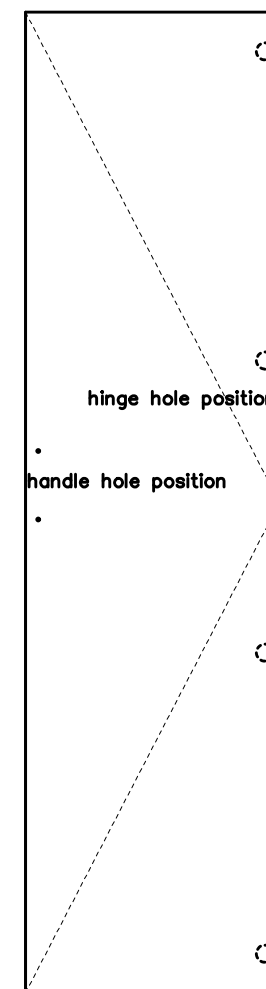
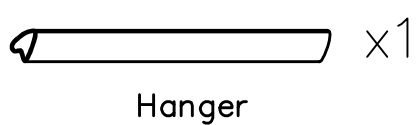
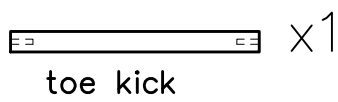
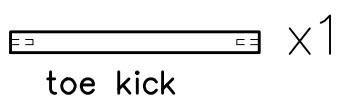
x1



x1

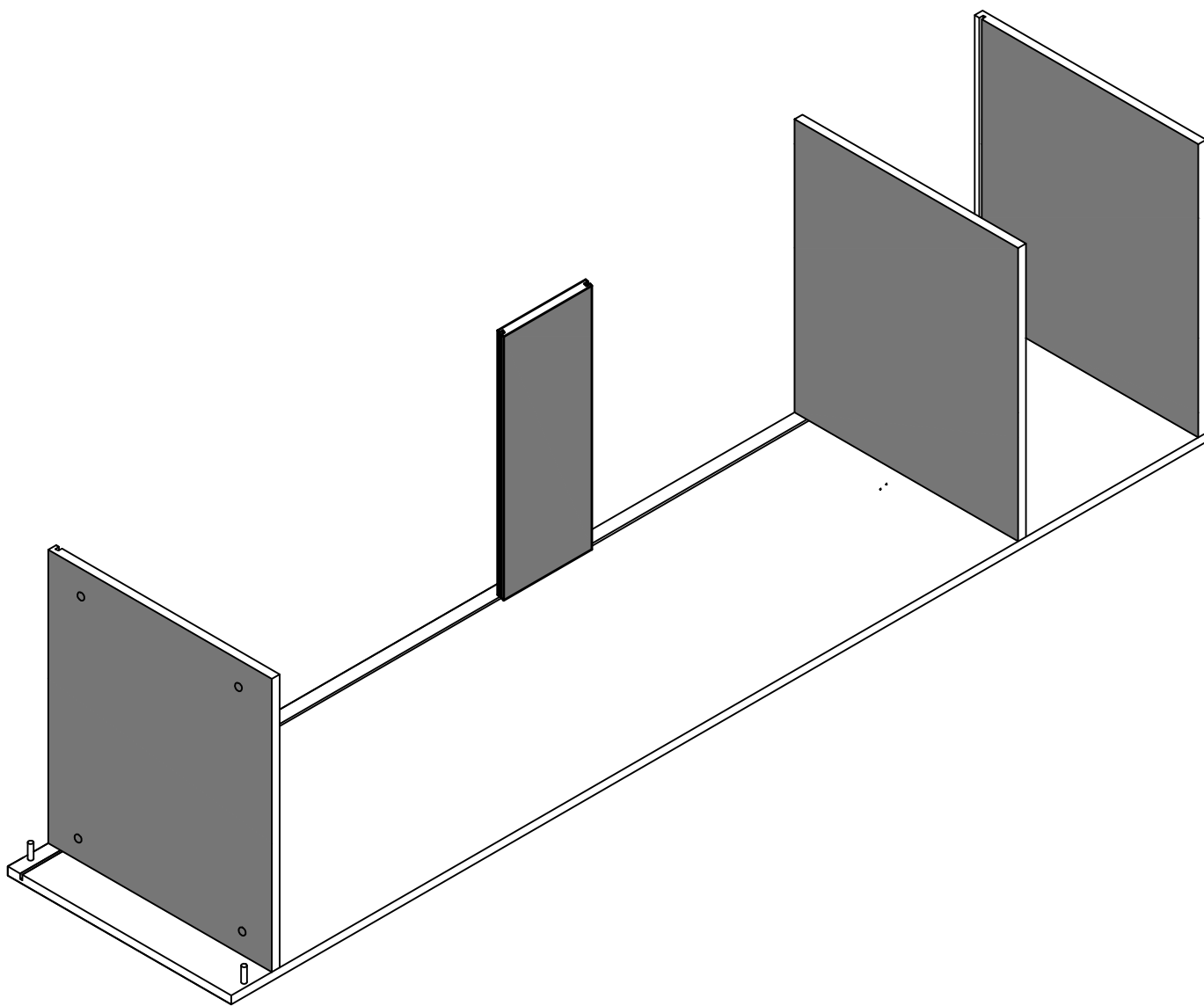
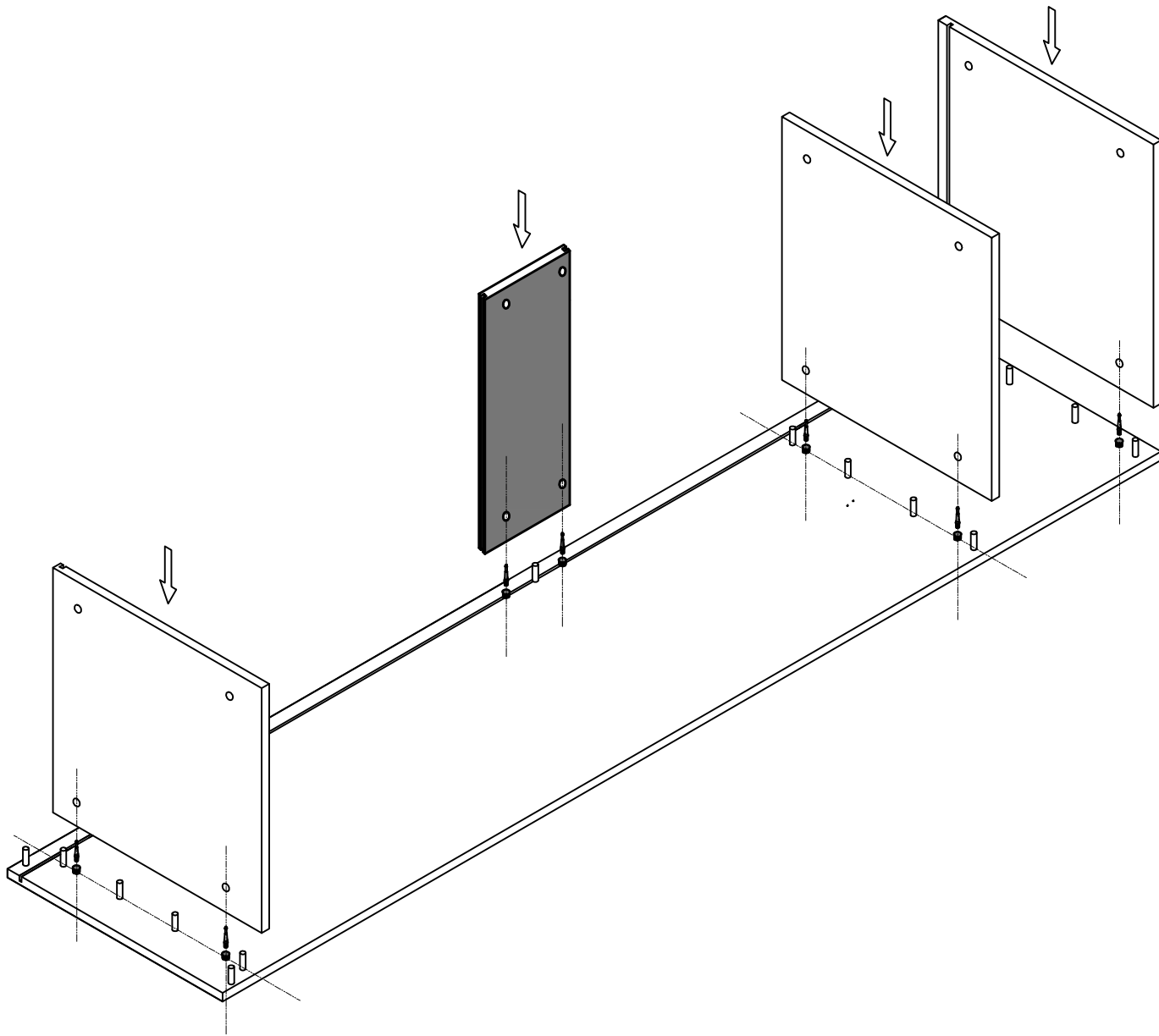


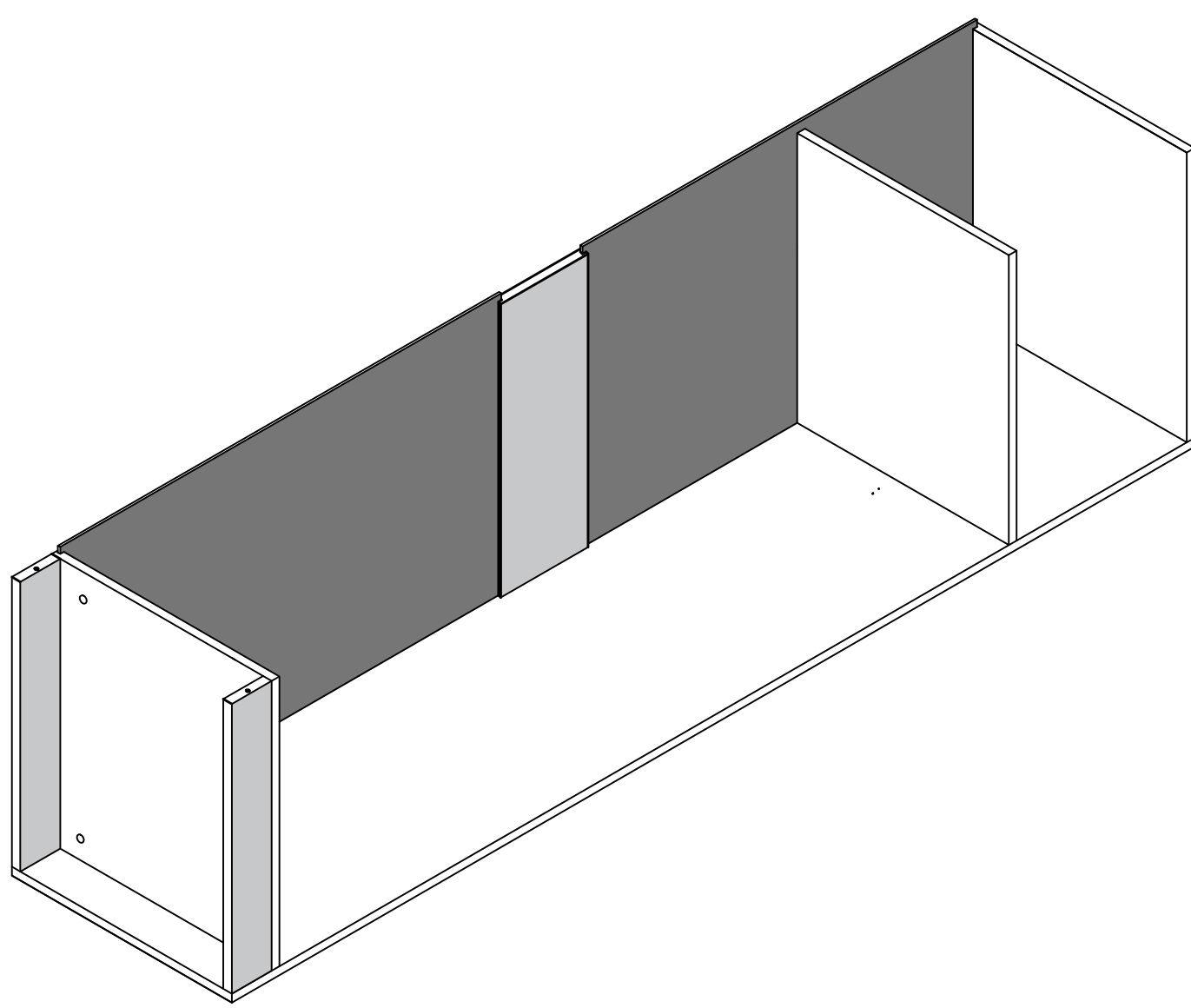
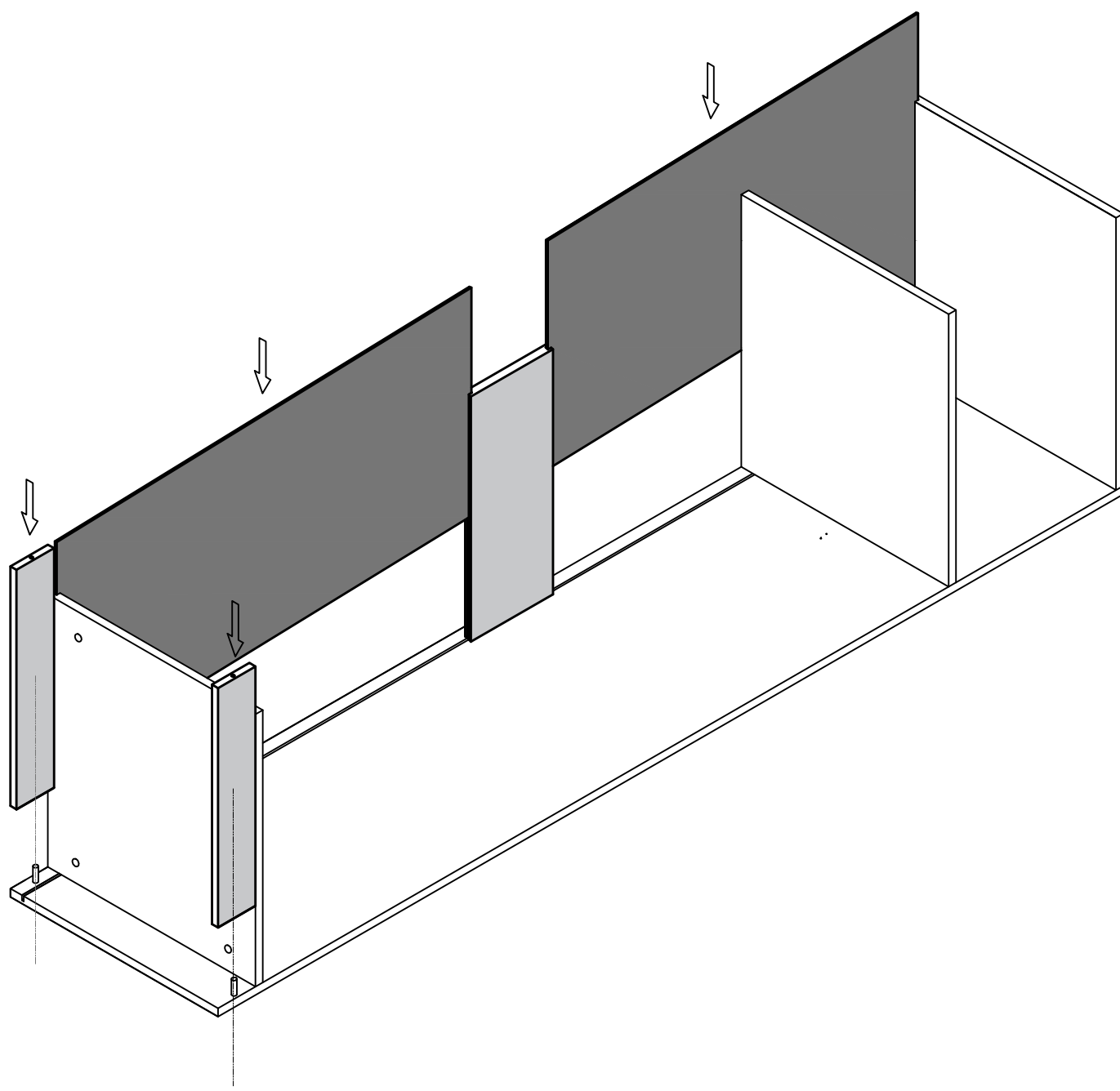
x1

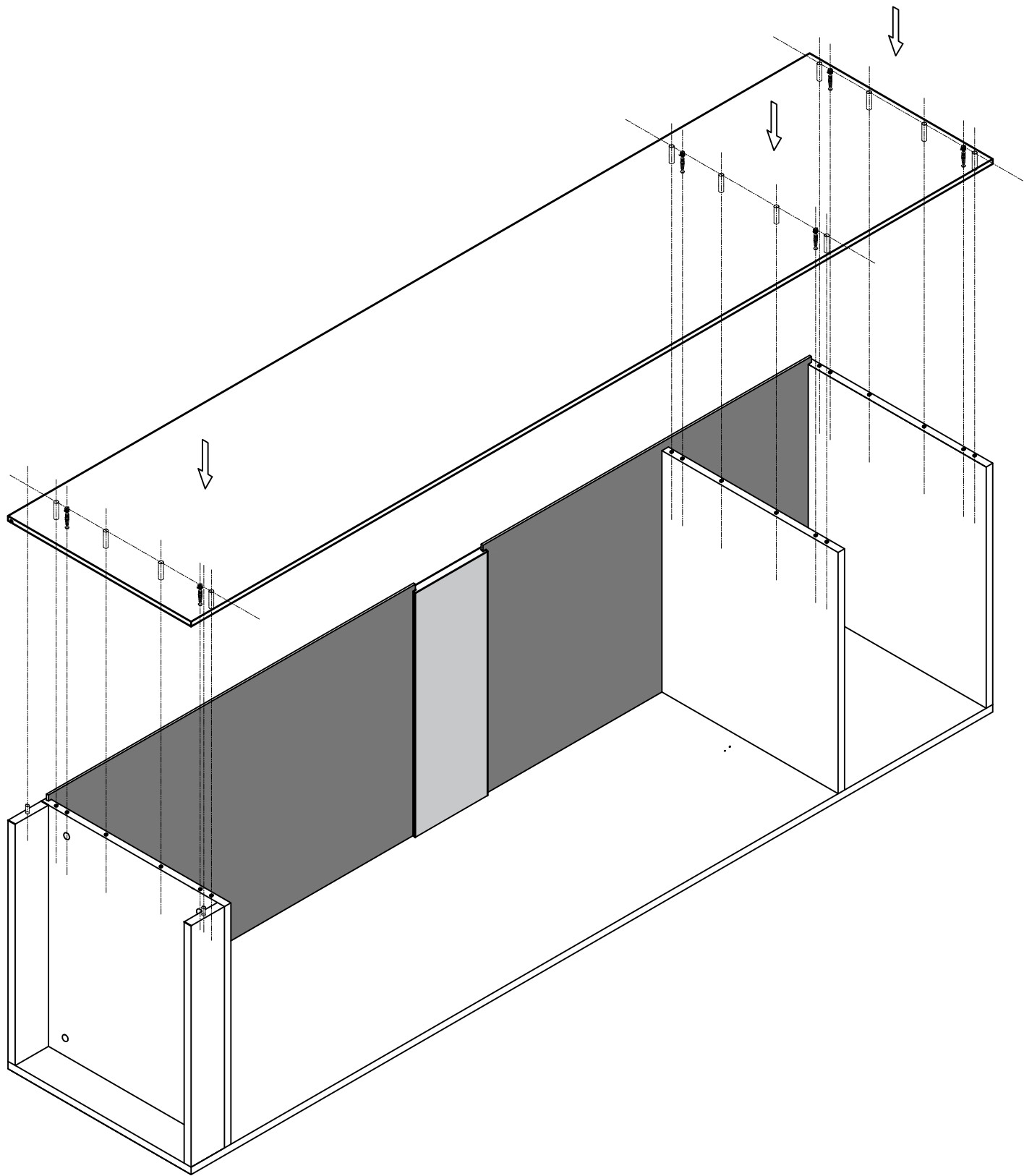


x1

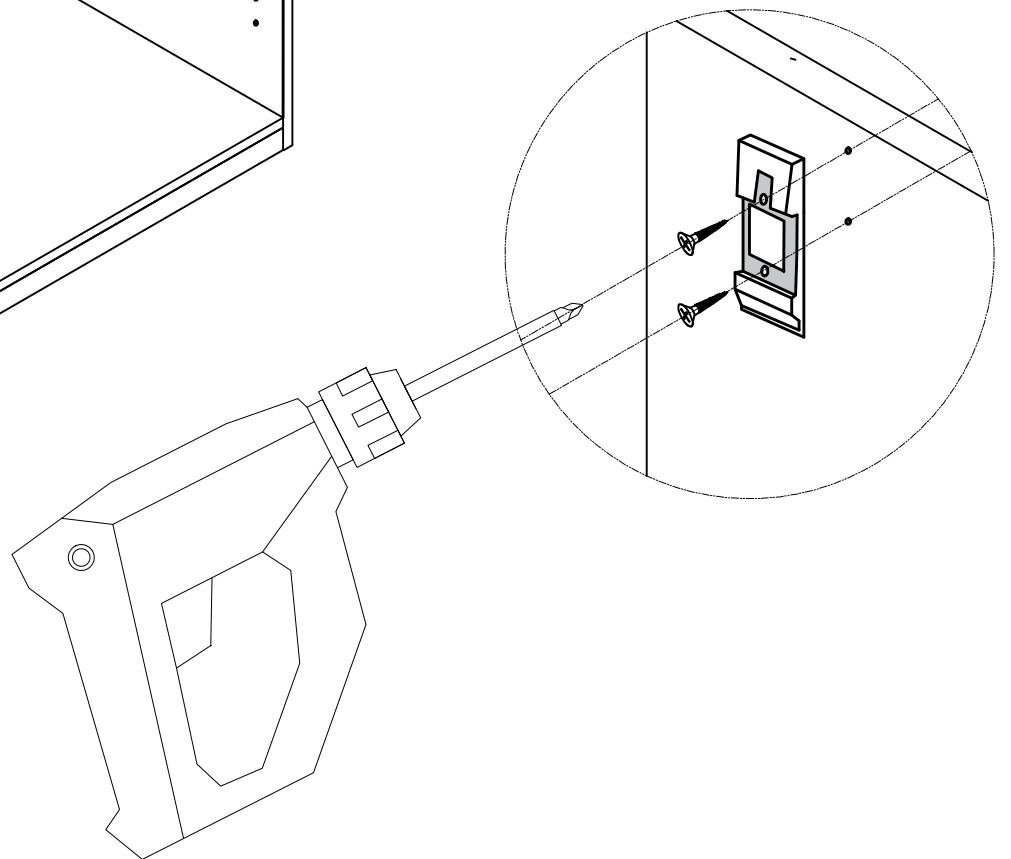
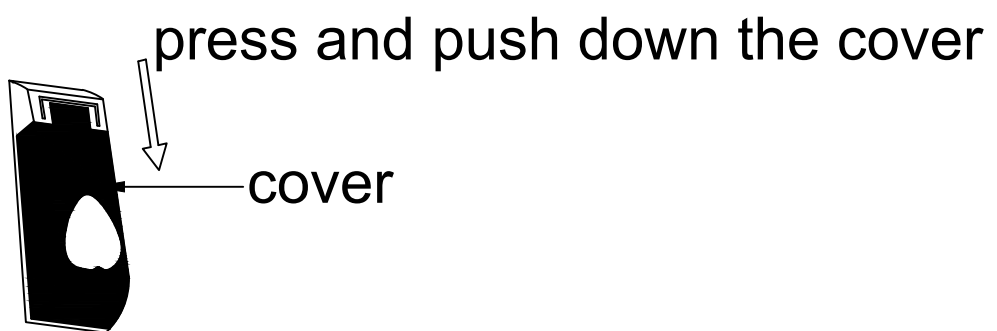
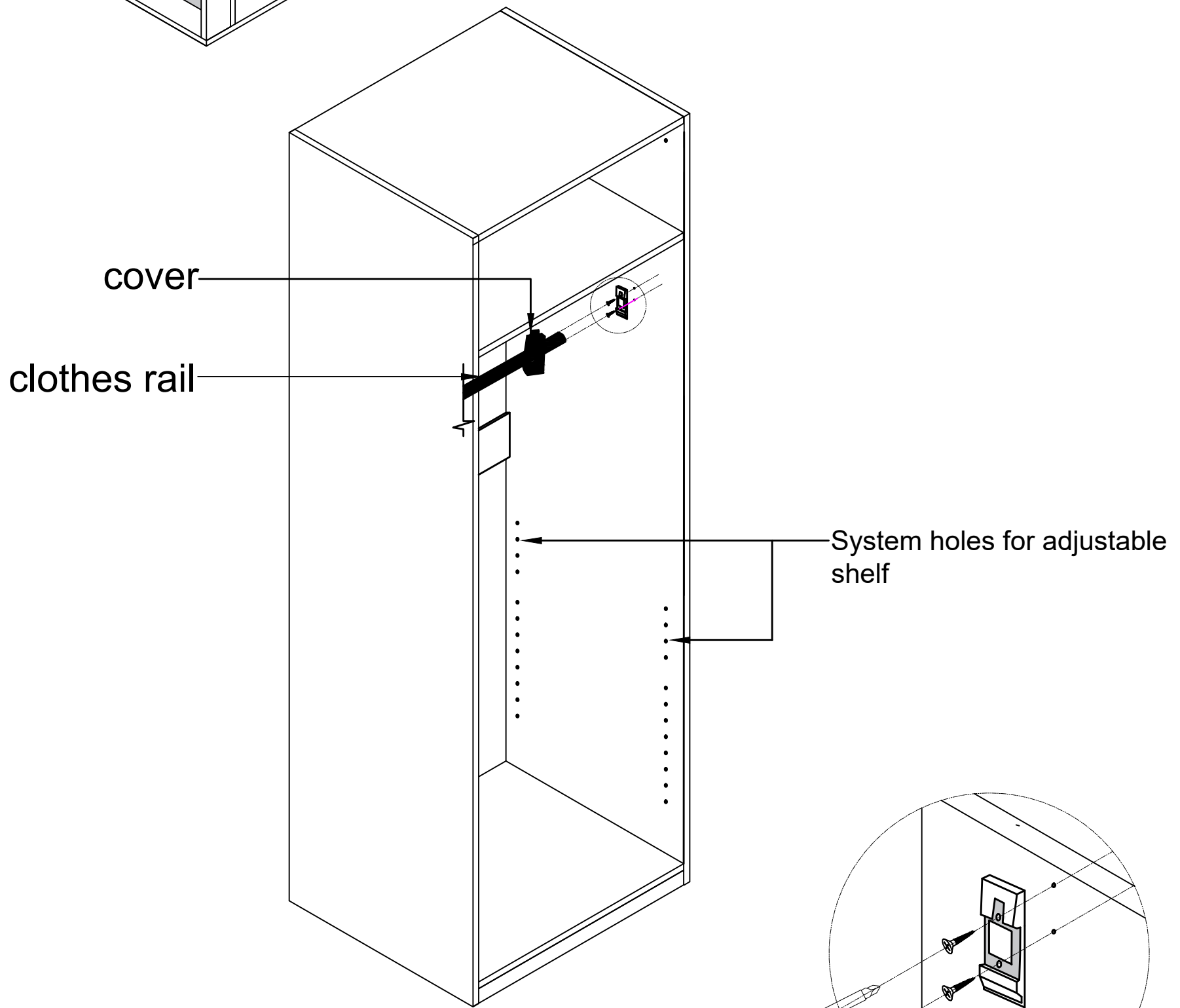
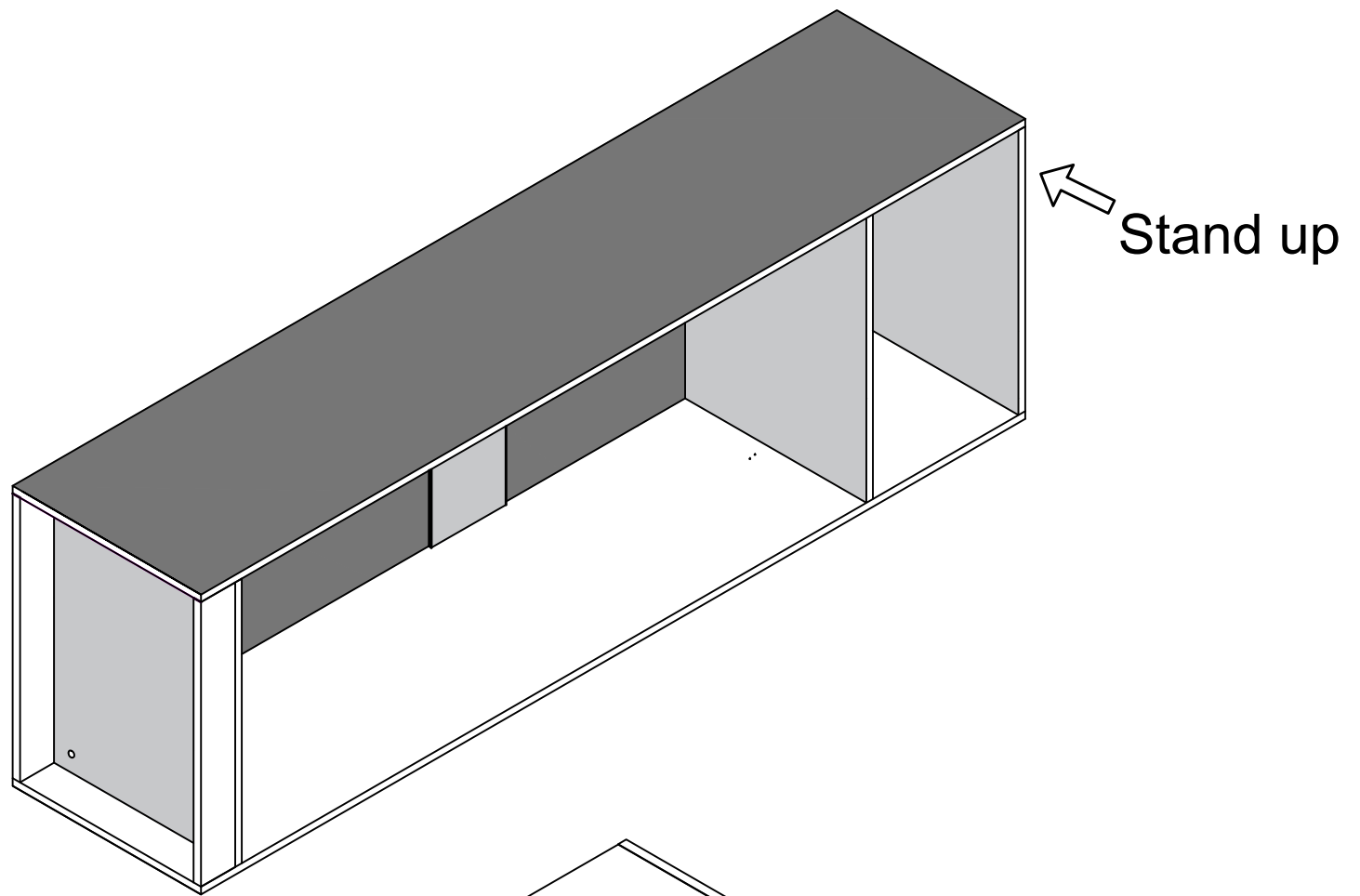
Door panel(open to right)

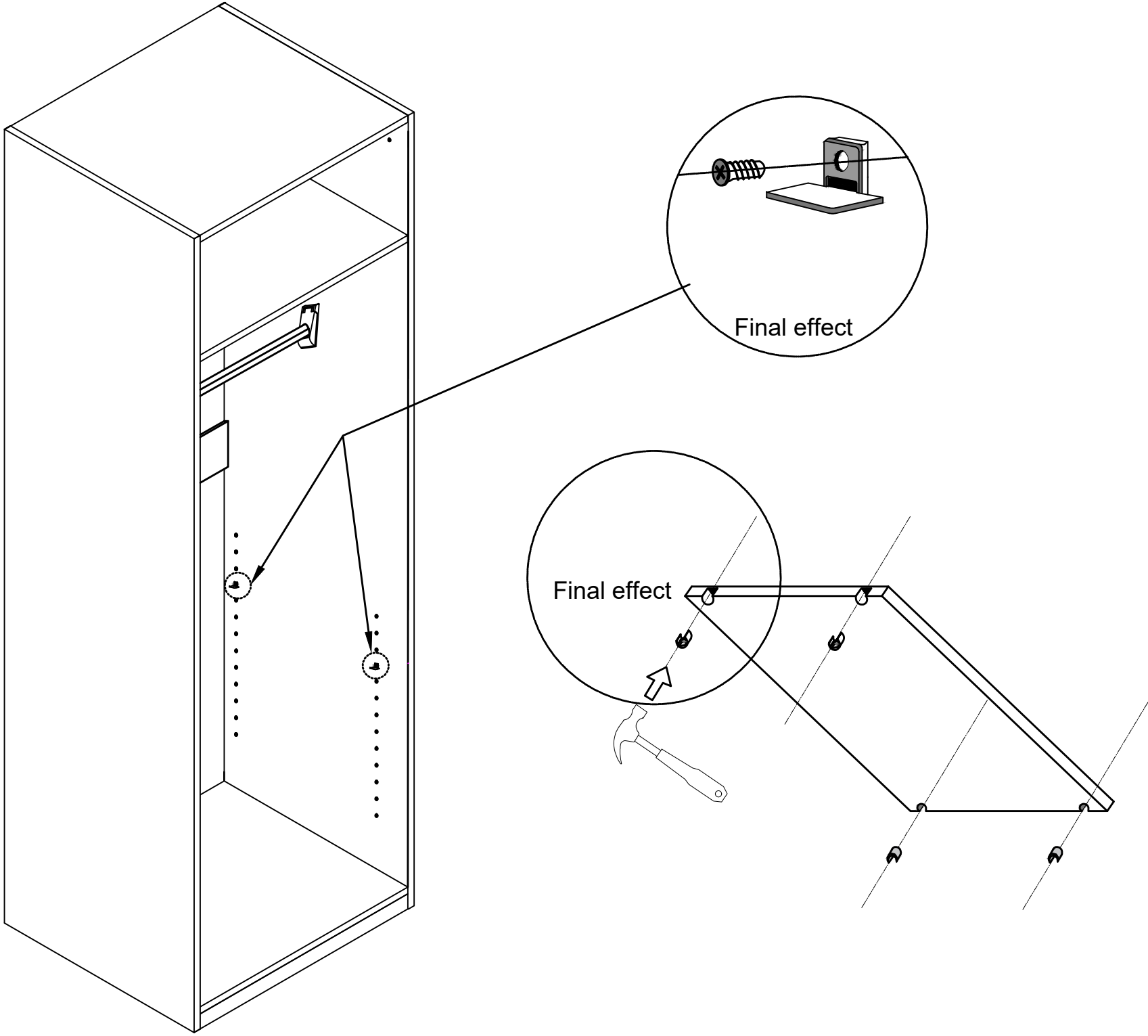


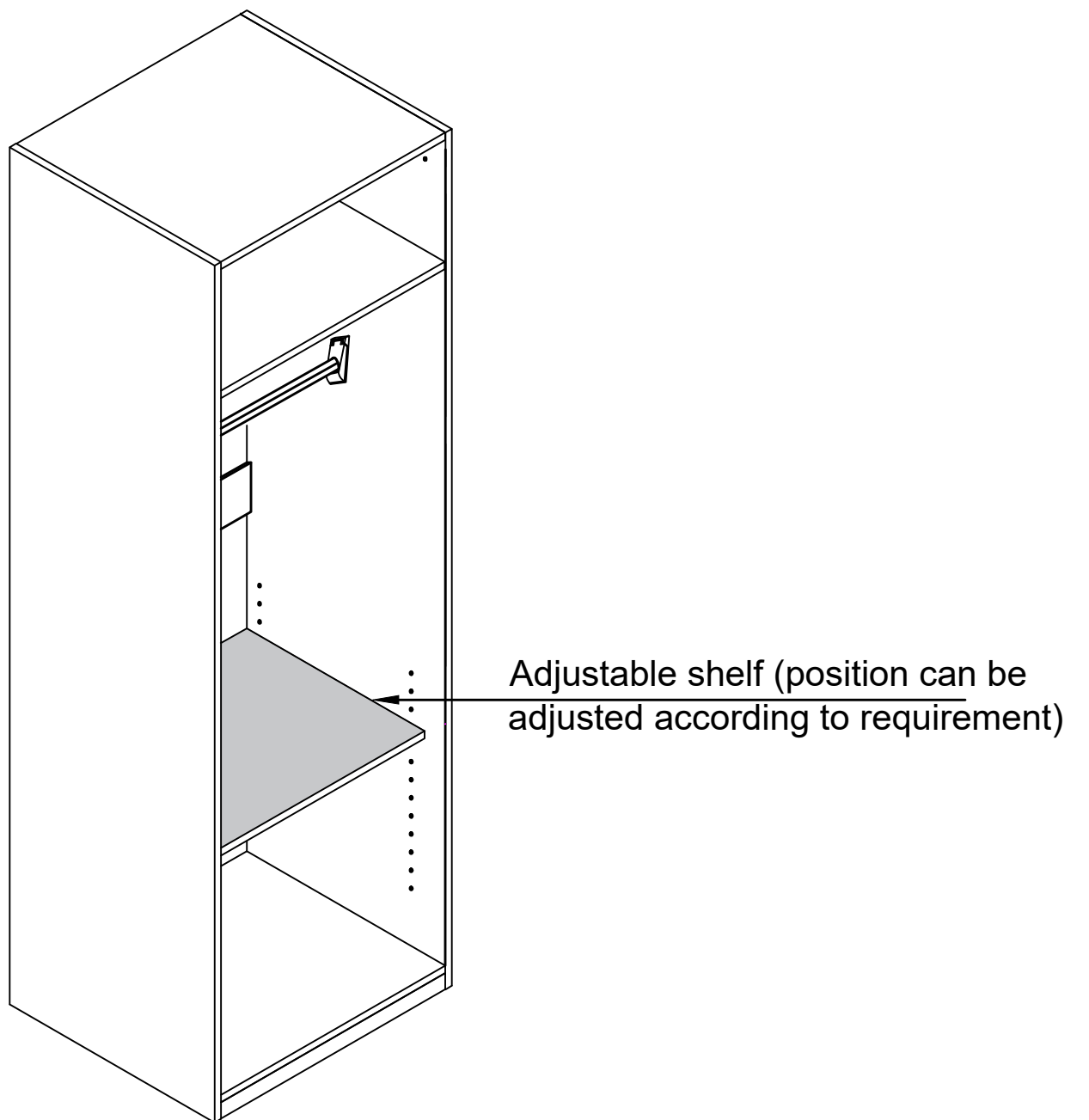
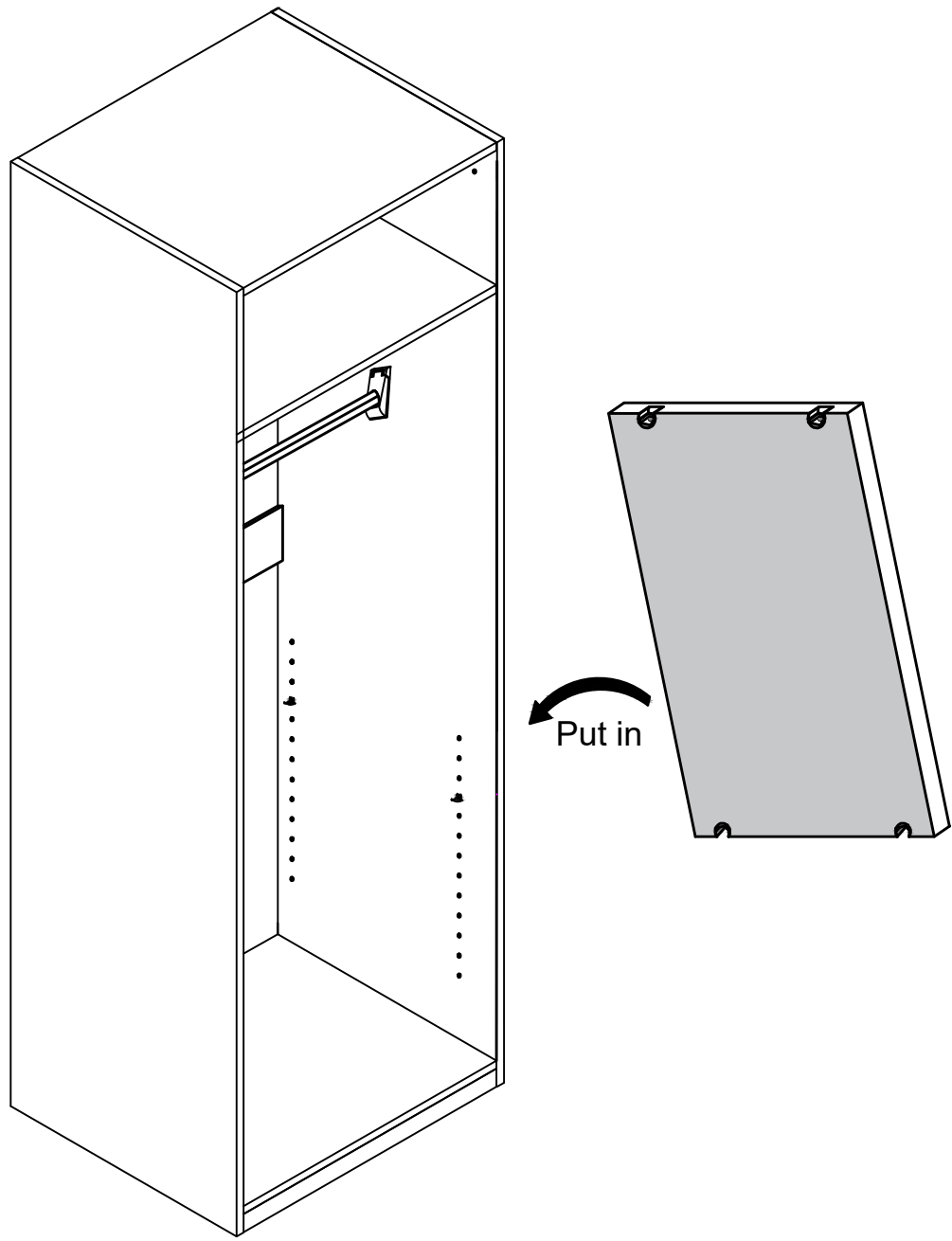


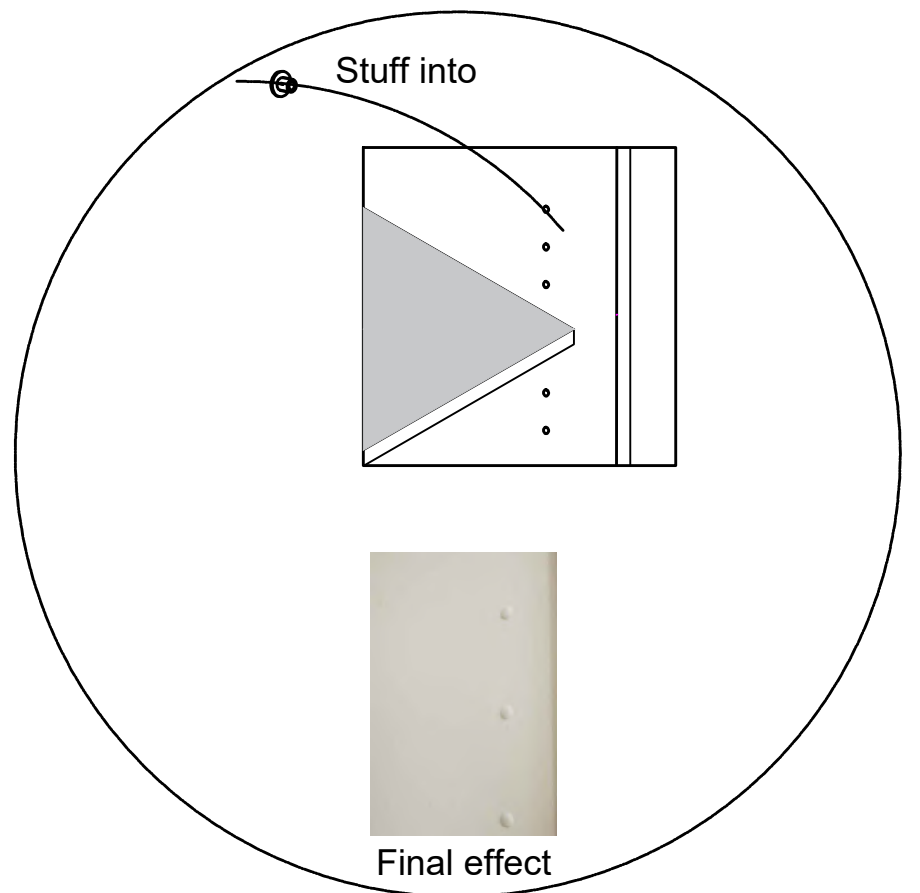
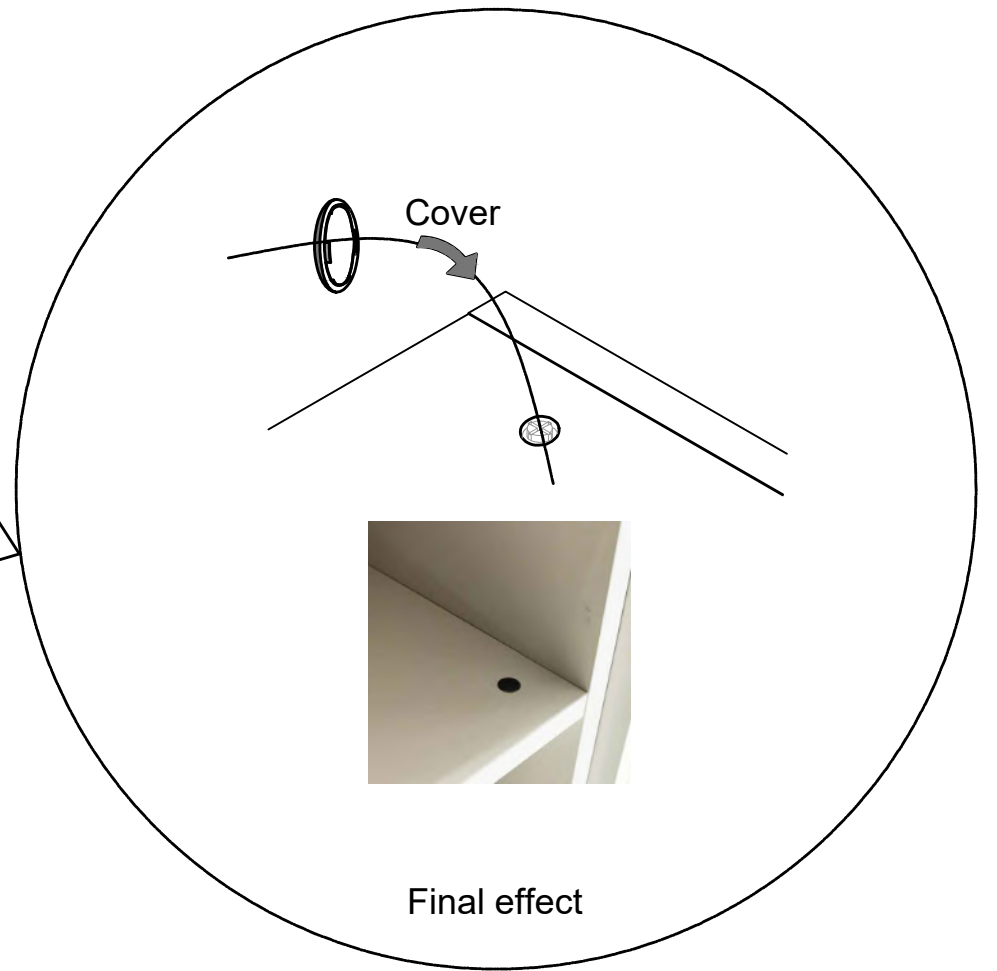
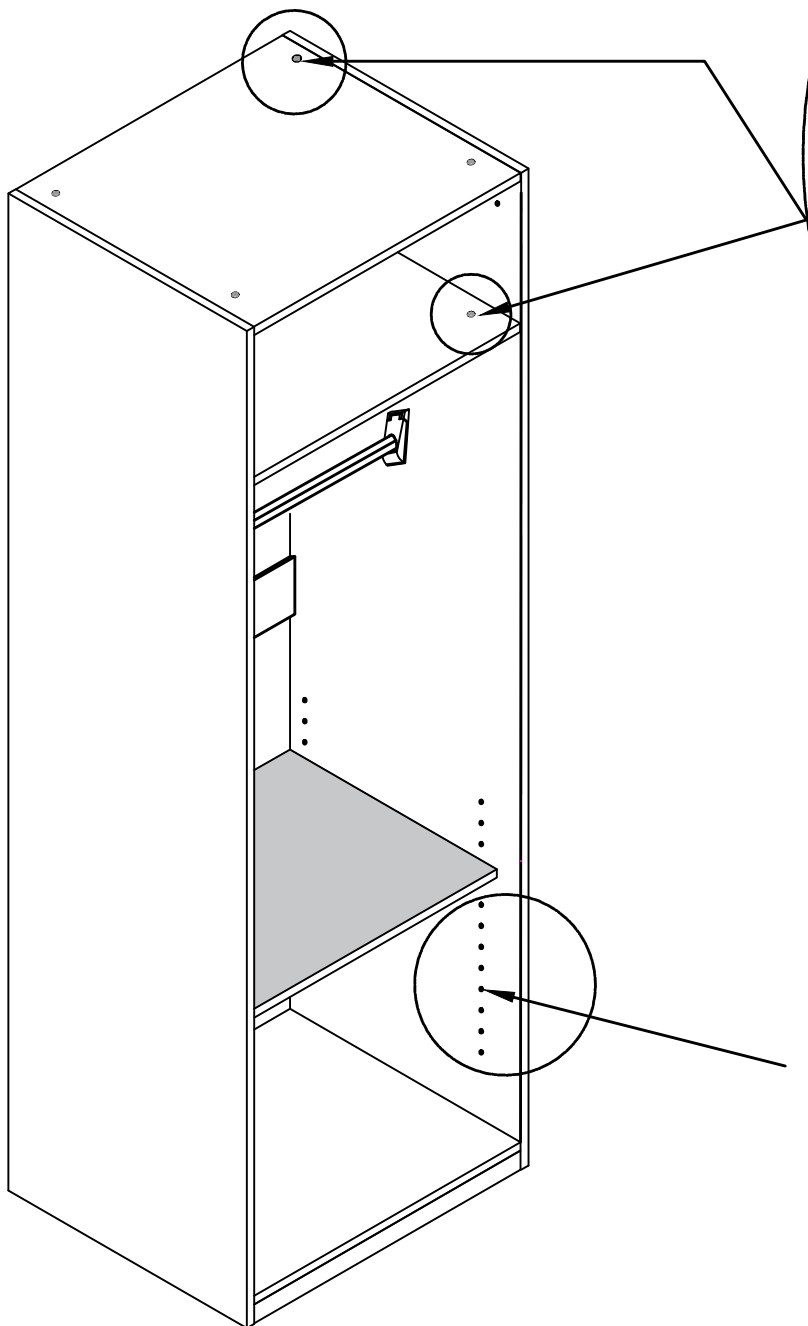
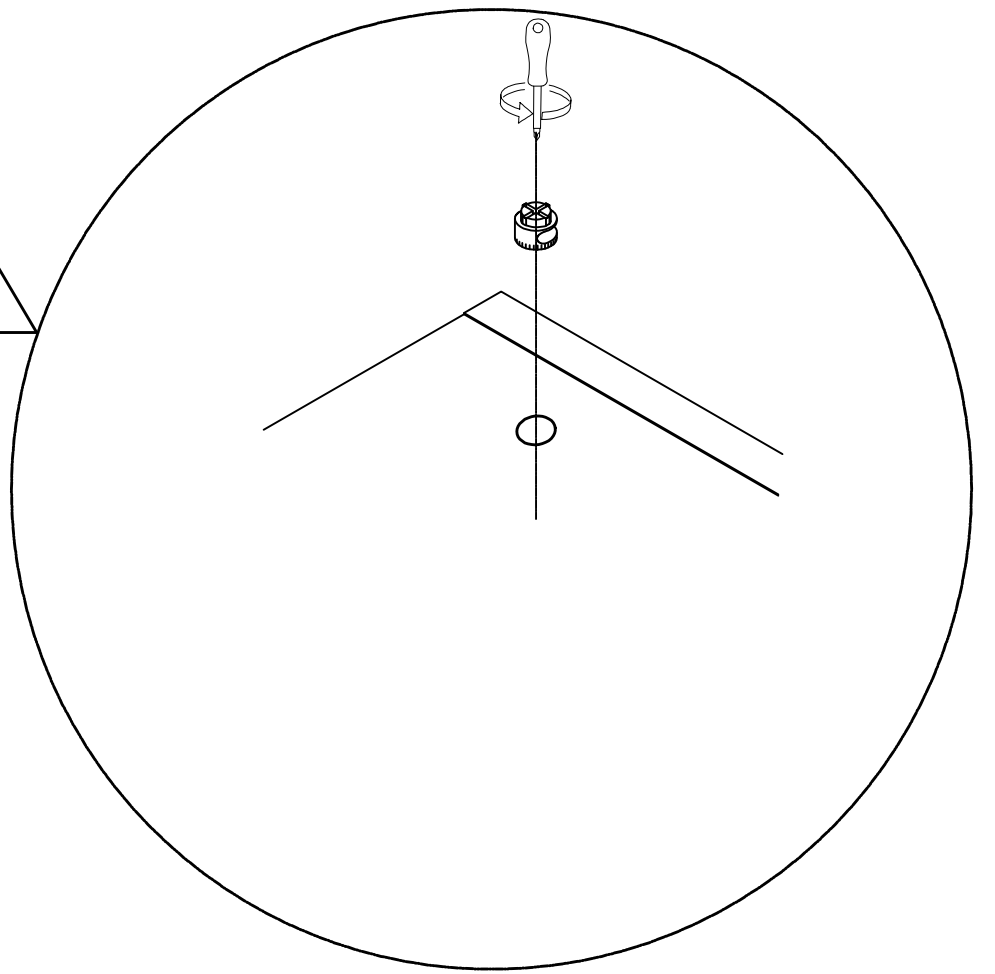
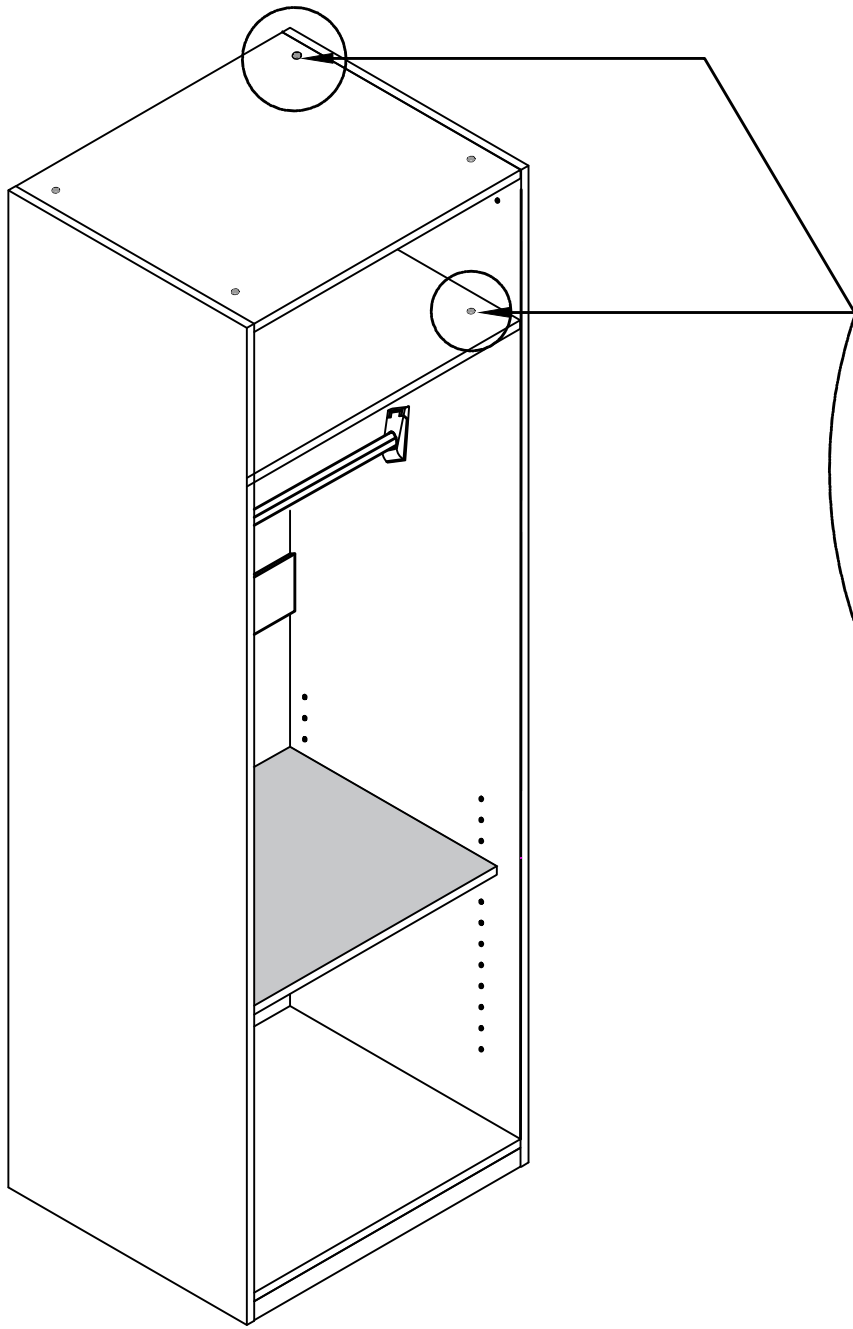


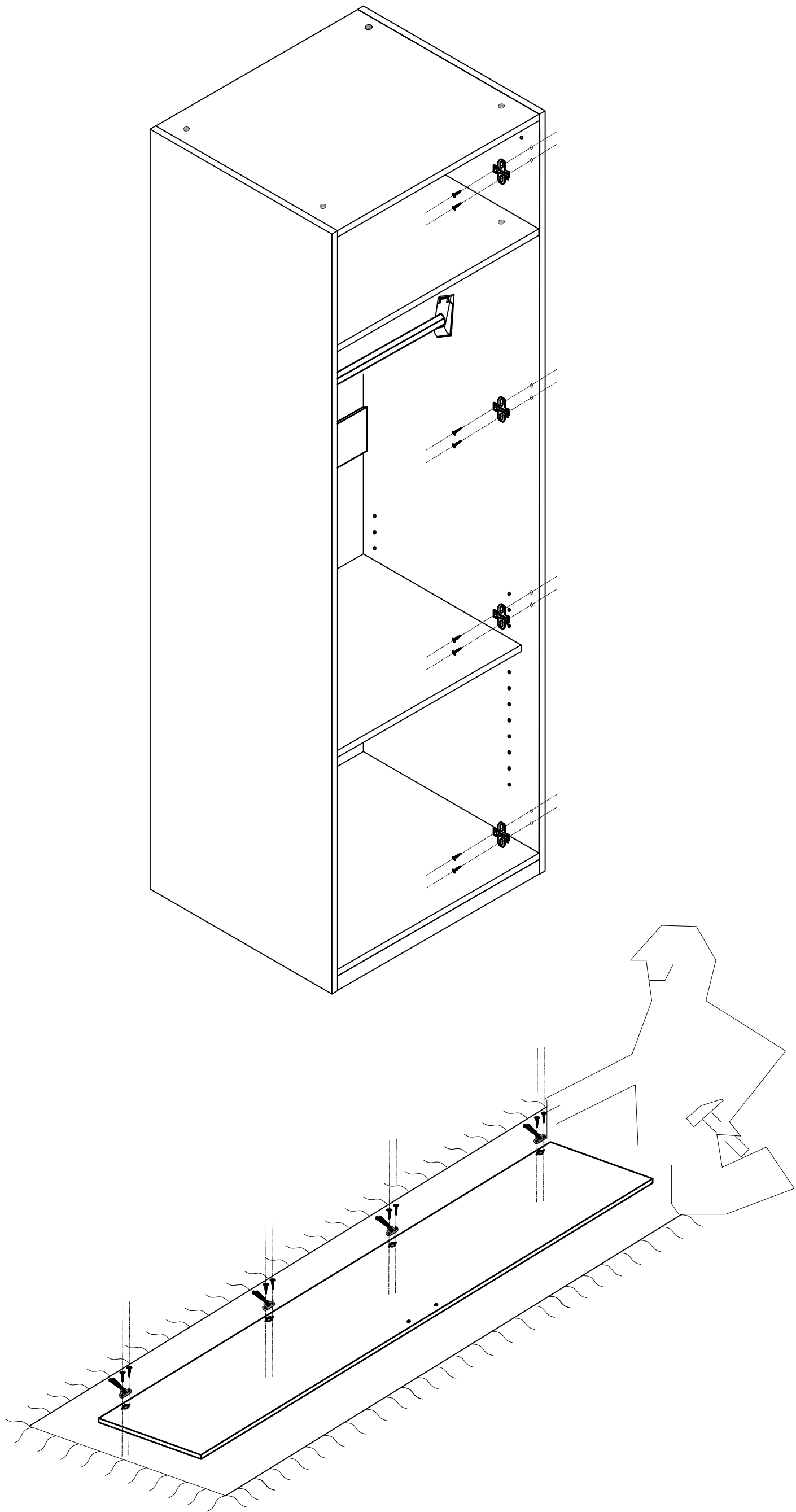


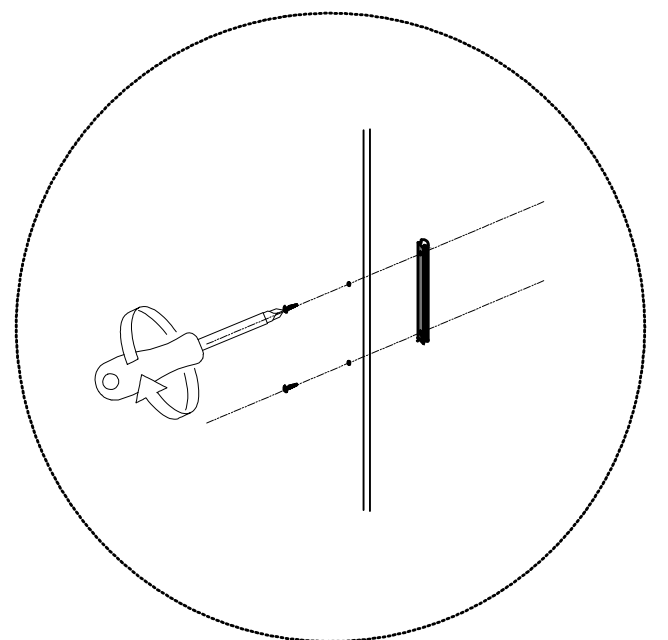
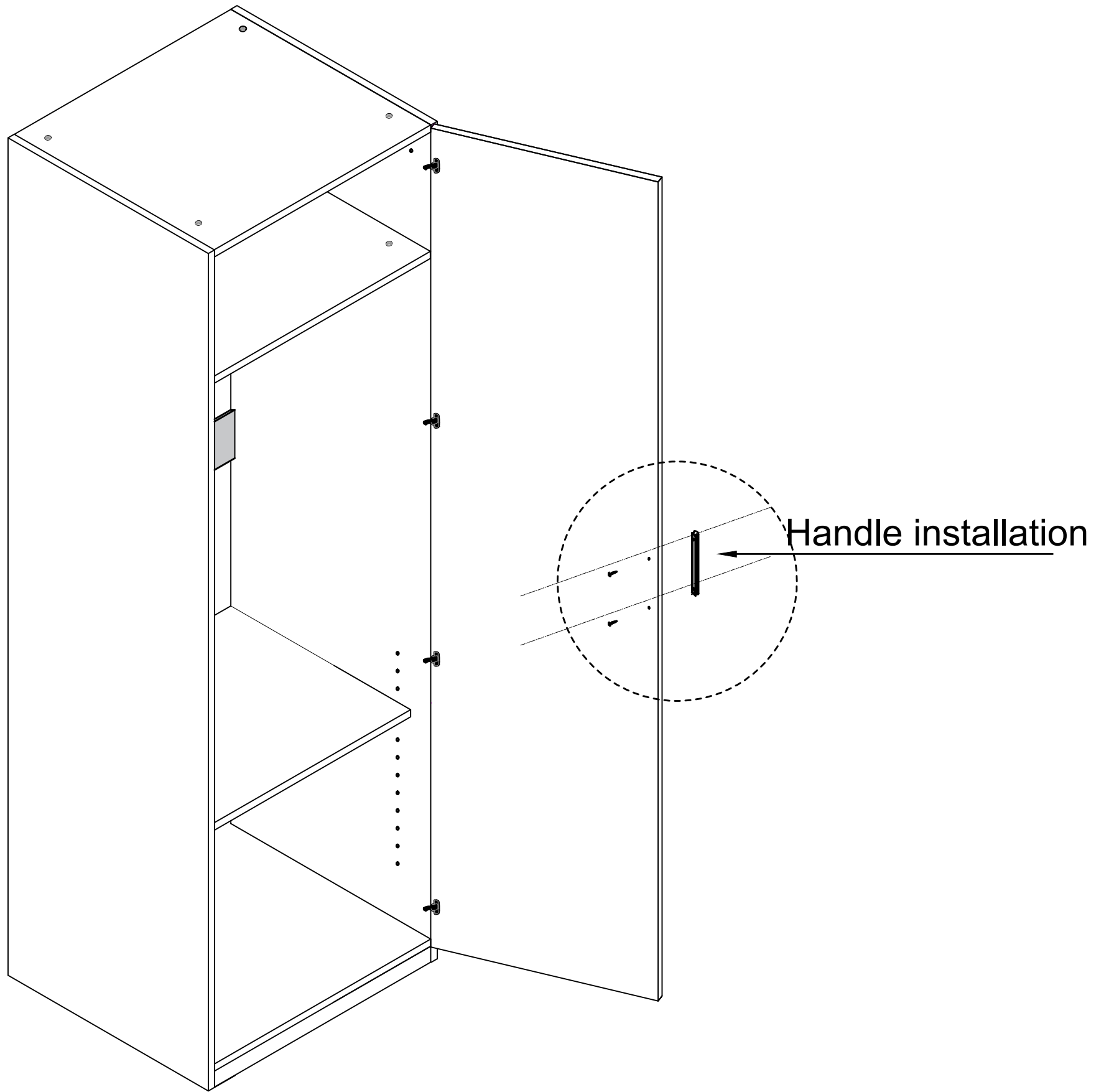












drill two holes on the wall

