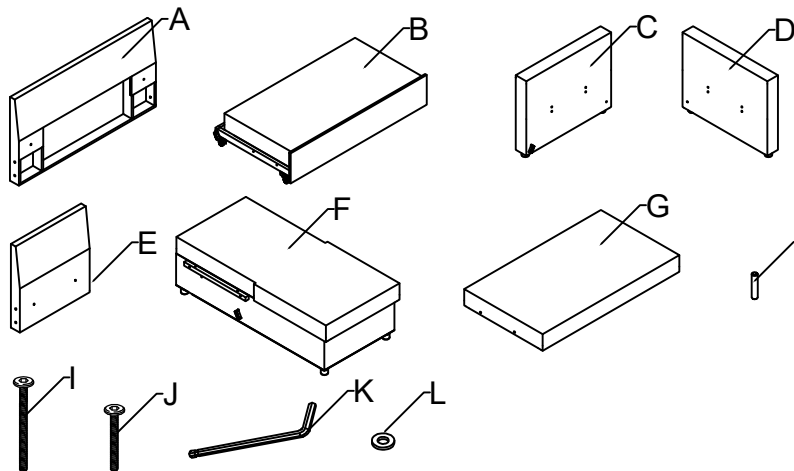


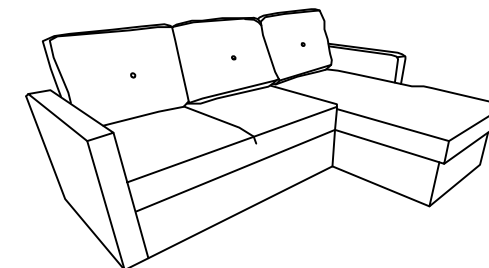
Accessory Information

- ① After receiving the product, please carefully check the accessory information.
- ② Ensure the accessories are complete before installation.
- ③ If any accessories are missing, please contact the store for after-sales.

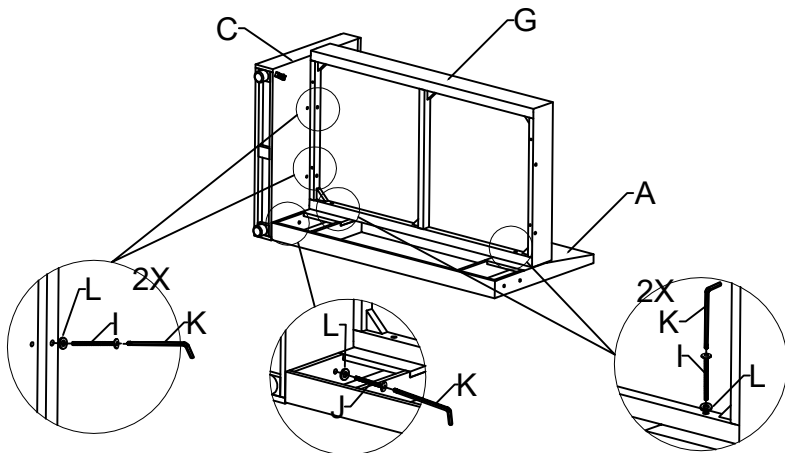


- A: 2P backrest * 1
 B: 2P lower seat frame * 1
 C: left armrest * 1
 D: right armrest * 1
 E: Chaise backrest * 1
 F: Chaise seat * 1
 G: 2P upper seat frame * 1
 H: wooden pin * 2
 I: M8 * 75 screw rod * 5 (spare 1)
 J: M8 * 50 screw rod * 10 (spare 2)
 K: 5 # Hex key * 1
 L: φ 8 * 22 gasket * 13 (spare 1)

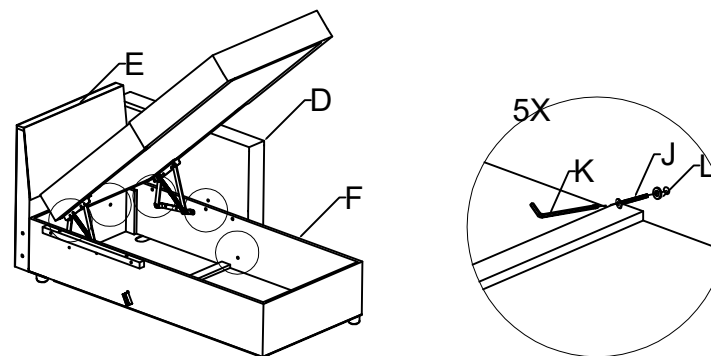
Product installation manual



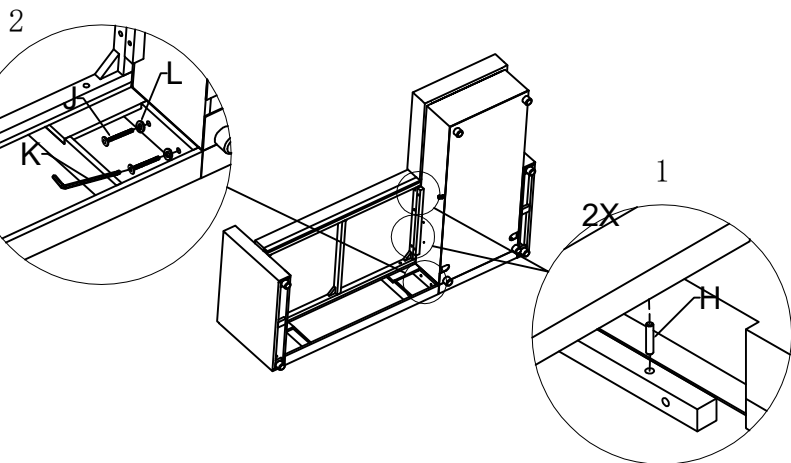
Step 1: Connect components A, C, and G as shown in the pic.



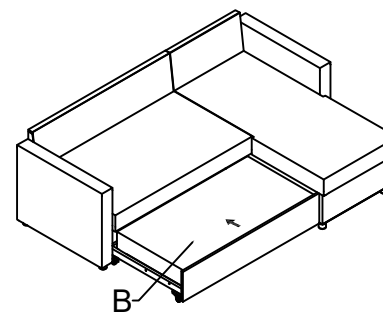
Step 2: Connect components E, D, and F as shown in the pic.



Step 3: Complete the component assembly as shown in the pic.



Step 4: Insert component B as the arrow shown in the pic, and gently lift the front when inserting.



Product Name: EUSC-23061 B
 Product specifications: 2P+Chaise right
 Number of installers: 2
 ① Please carefully read this manual and strictly follow the process when installing this product.
 ② Please take good care of this manual for the next installation.