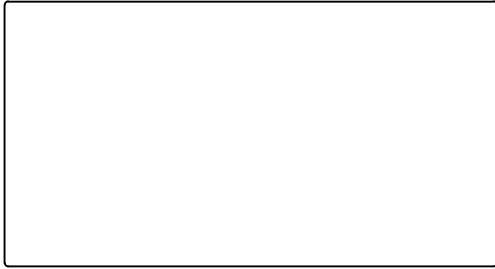


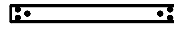
# ASSEMBLY INSTRUCTION

## PARTS LIST

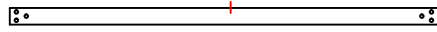
1. - 1 Pc.



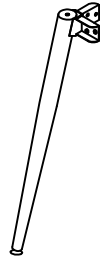
2. - 2 Pcs.



3. - 2 Pcs.



4. - 4 Pcs.



## FITTINGS

A.-24Pcs.



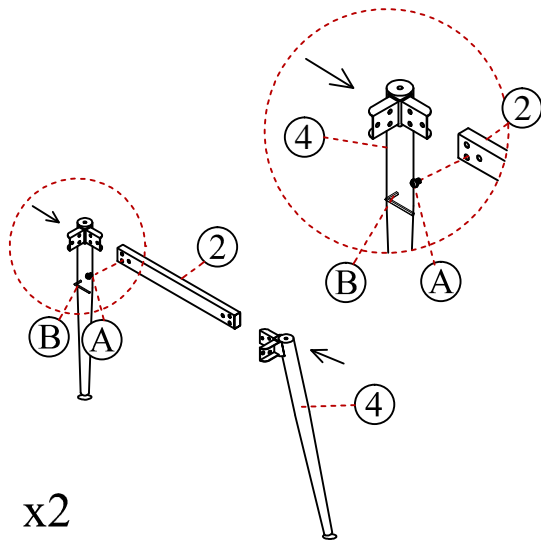
B.-1Pc.



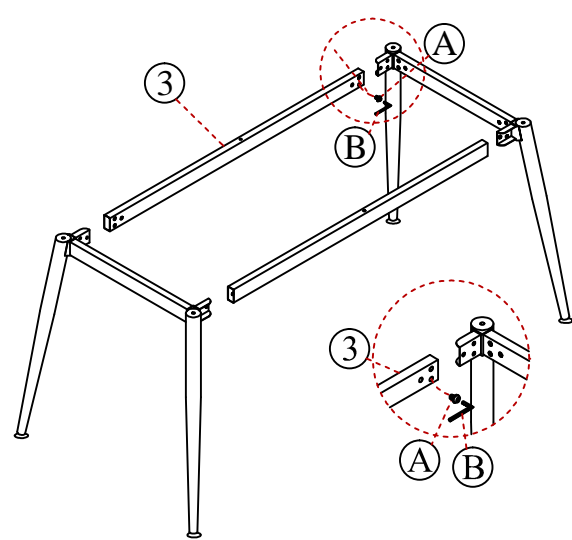
C.-6Pcs.



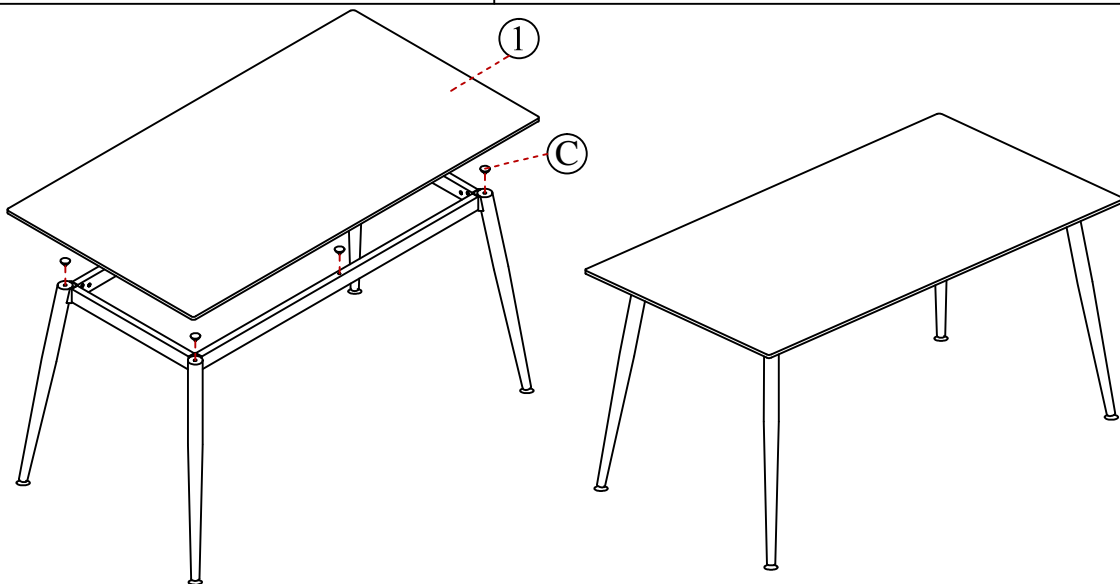
1



2



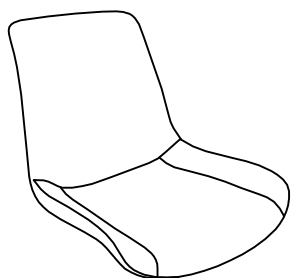
3



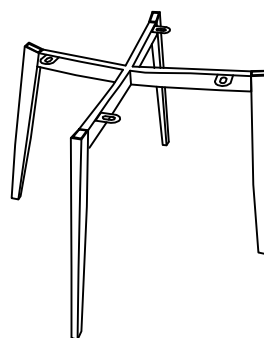
# ASSEMBLY INSTRUCTION

## PARTS LIST

1. - 1 Pc.



2. - 1 Pc.



## FITTINGS

A.-4Pcs.



B.-4Pcs.



C.-1Pc.

