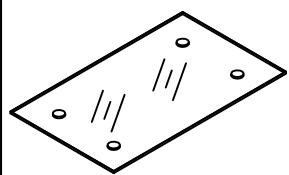


# ASSEMBLY INSTRUCTION

Ax1



Bx4



Cx4



Dx12



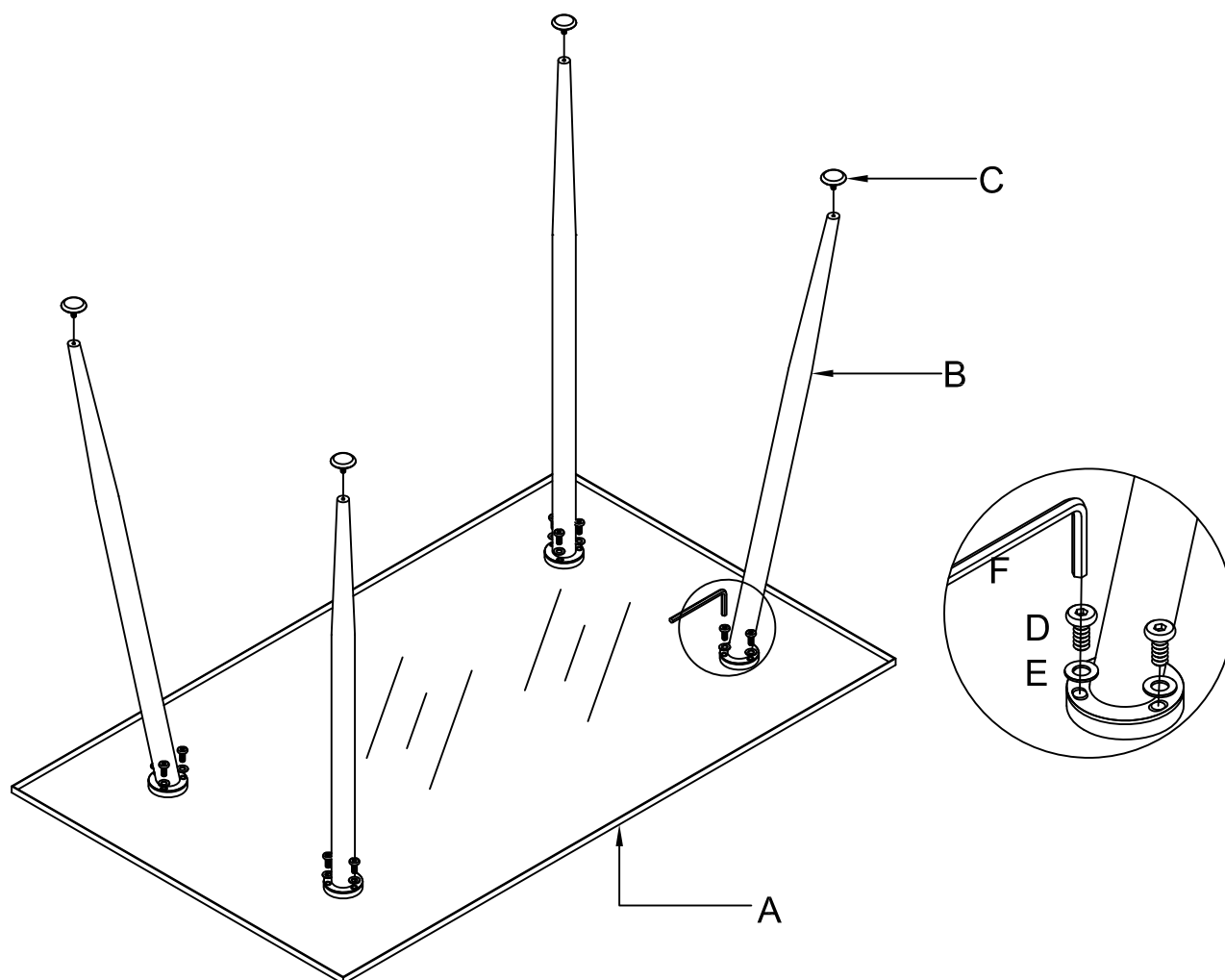
Ex12



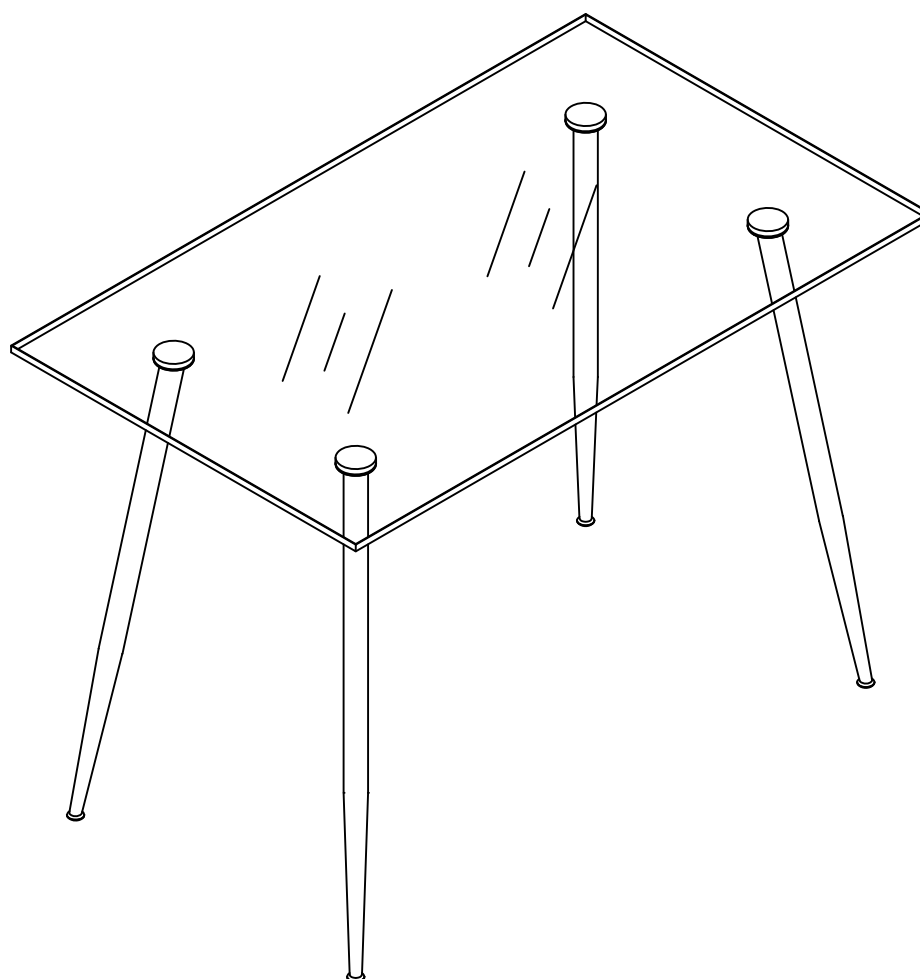
Fx1

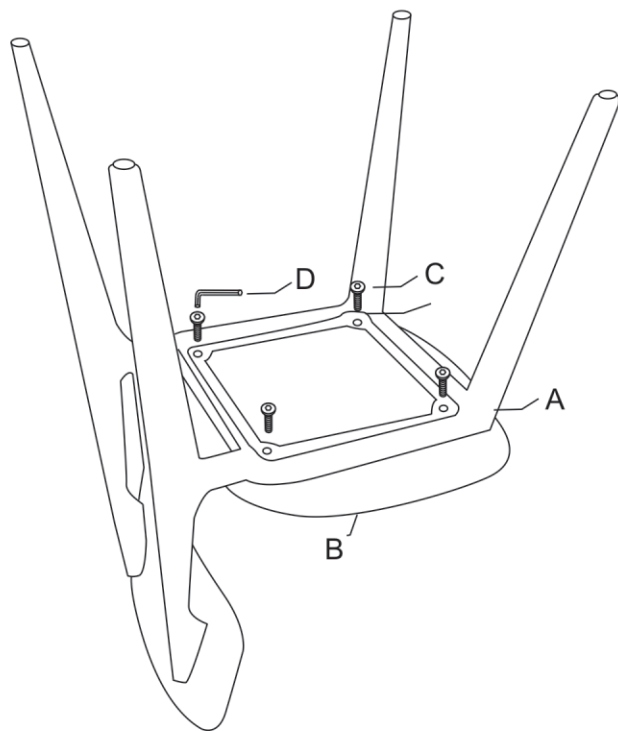


1



2





A



X1

B



X1

C



X4

D



x1

