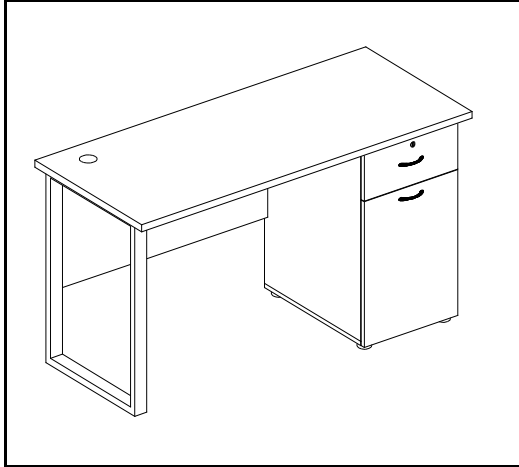


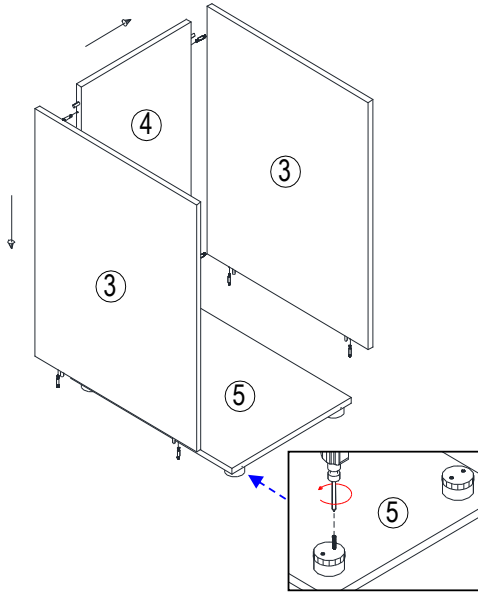
MODEL : FX-02-1460
 DIMENSION : 1400W×600D×750mmH
 DESCRIPTION : EXECUTIVE TABLE

ASSEMBLY INSTRUCTION

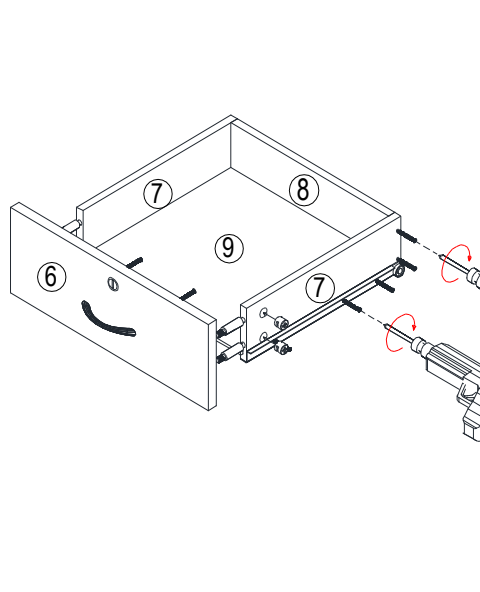


NUMBER		DIMENSION
①	countertop	1400 × 600 × 25 =1PC
②	Front apron	925 × 450 × 16 =1PC
③	Lateral plate	679 × 481 × 16 =2PCS
④	tergum	679 × 364 × 16 =1PC
⑤	Bottom plate	399 × 481 × 16 =1PC
⑥	Drawer panel	394 × 171 × 16 =1PC
⑦	Drawer side panel	400 × 90 × 16 =2PCS
⑧	Drawer back plate	308 × 89 × 16 =1PC
⑨	Drawer bottom	318 × 394 × 3 =1PC
⑩	Door panel	517 × 394 × 16 =1PC
⑪		
⑫		
⑬		
⑭		
⑮		
⑯		

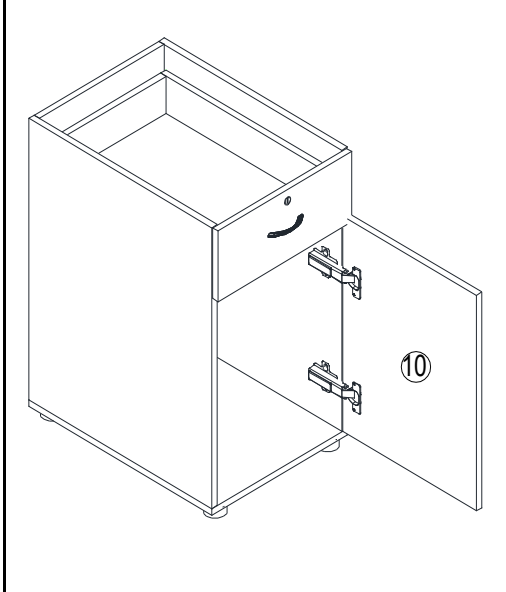
STEP1



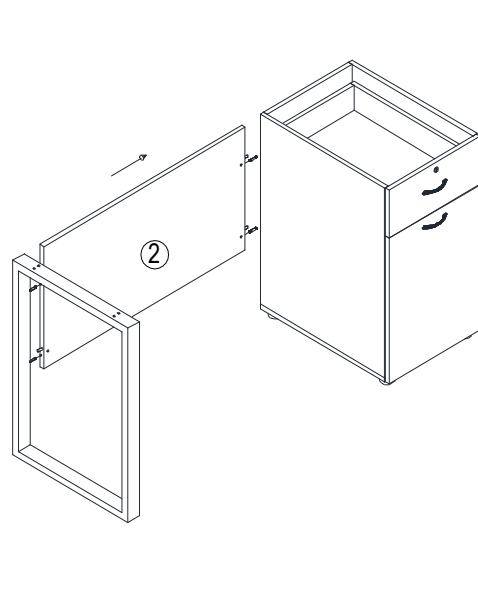
STEP2



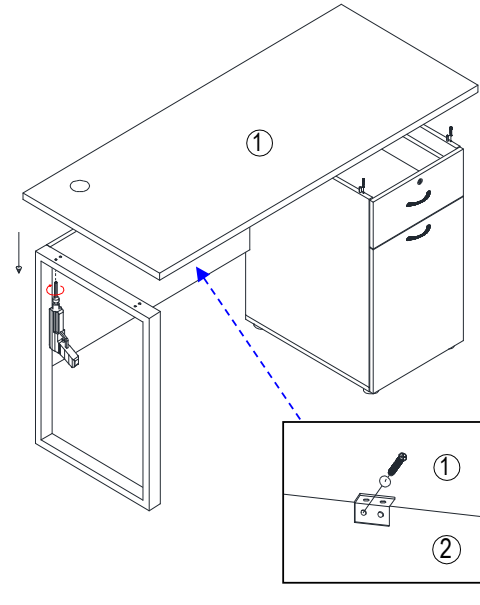
STEP3



STEP4



STEP5



STEP6

