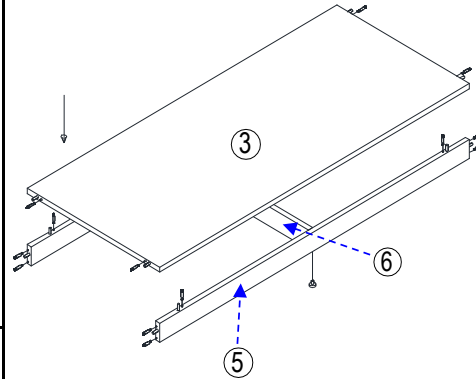


MODEL : WD-1200
 DIMENSION : 1200×520×1900
 DESCRIPTION : EXECUTIVE TABLE

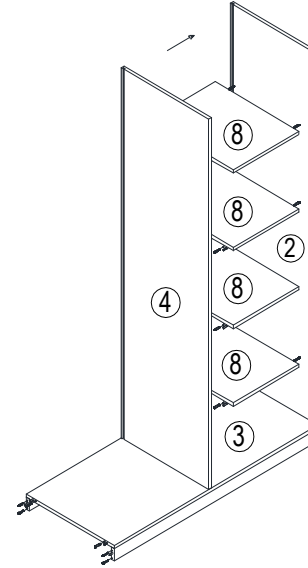
ASSEMBLY INSTRUCTION



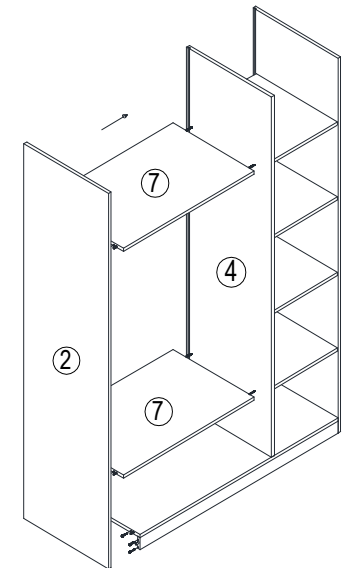
STEP1



STEP2



STEP3

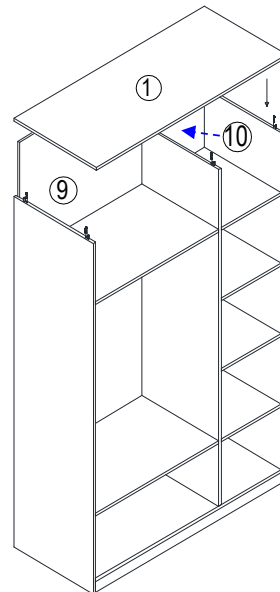


NUMBER

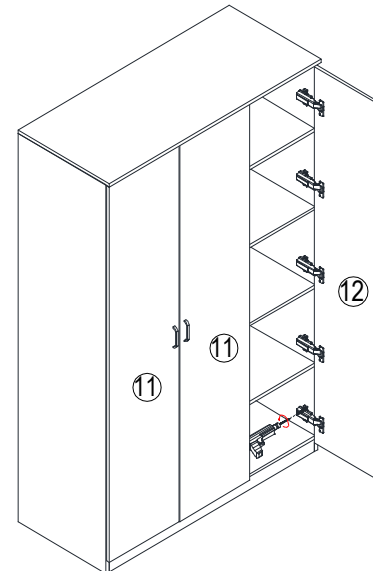
DIMENSION

①	Top plate	1200 × 520 × 16 =1PC
②	Side plate	1875 × 500 × 16 =2PCS
③	Bottom plate	1166 × 500 × 16 =1PC
④	Medial lateral plate	1798 × 500 × 16 =1PC
⑤	leg	1166 × 60 × 16 =2PCS
⑥	Middle leg	466 × 60 × 16 =1PC
⑦	Left solid laminate	774 × 479 × 16 =2PCS
⑧	Right retaining plate	376 × 479 × 16 =4PCS
⑨	Left backplane	1808 × 783 × 9 =1PC
⑩	Right back plate	1808 × 385 × 9 =1PC
⑪	Left door panel	1811 × 397 × 16 =2PCS
⑫	Right door panel	1811 × 397 × 16 =1PC
⑬		
⑭		
⑮		
⑯		

STEP4



STEP5



STEP6

