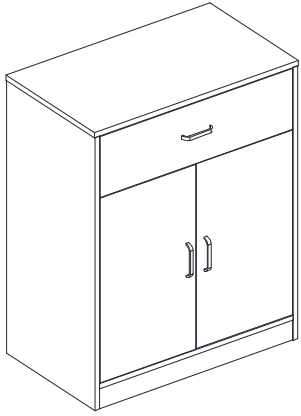
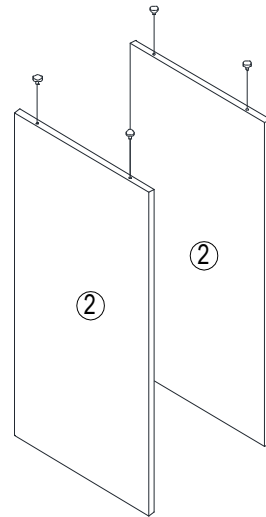


MODEL : BST-680
 DIMENSION : 680×400×825
 DESCRIPTION : EXECUTIVE TABLE

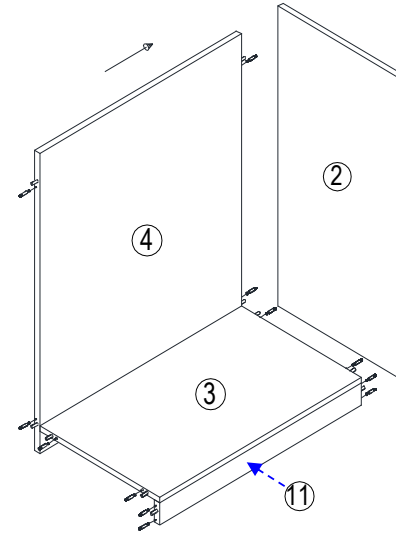
ASSEMBLY INSTRUCTION



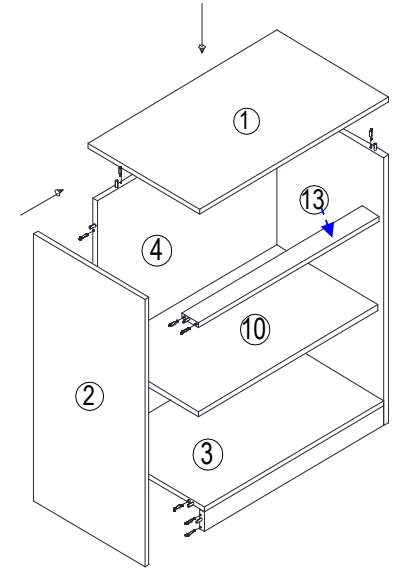
STEP1



STEP2



STEP3

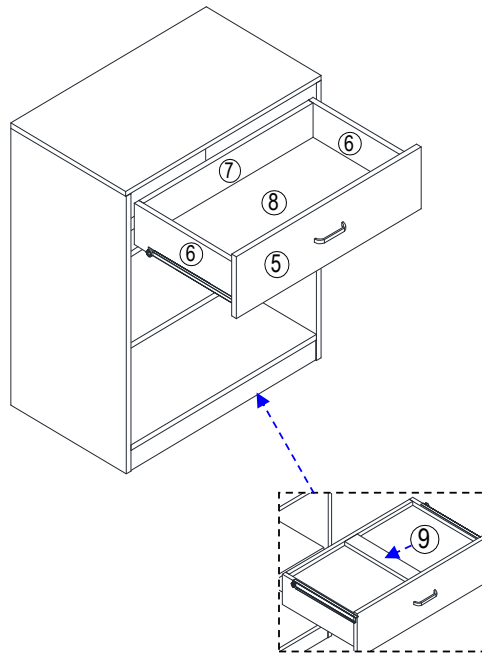


NUMBER

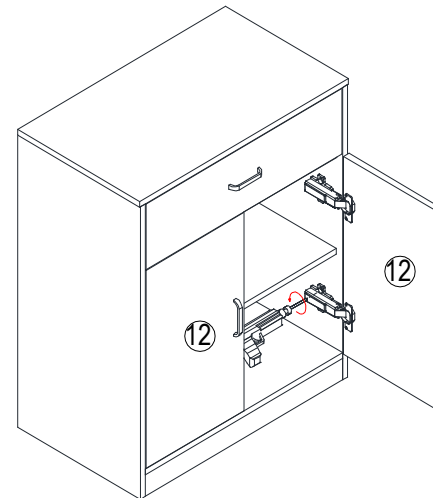
DIMENSION

| | | |
|---|-----------------------|----------------------|
| ① | Top plate | 680 × 400 × 16 =1PC |
| ② | Side plate | 799 × 398 × 16 =2PCS |
| ③ | Bottom plate | 646 × 380 × 16 =1PC |
| ④ | backboard | 799 × 646 × 16 =1PC |
| ⑤ | Extraction panel | 642 × 181 × 16 =1PC |
| ⑥ | Extraction side plate | 350 × 120 × 16 =2PCS |
| ⑦ | Pull back plate | 590 × 119 × 16 =1PC |
| ⑧ | Pumping bottom plate | 600 × 344 × 3 =1PC |
| ⑨ | Draw the bottom strip | 334 × 60 × 16 =1PC |
| ⑩ | Movable laminate | 645 × 364 × 16 =1PC |
| ⑪ | leg | 646 × 60 × 16 =1PC |
| ⑫ | Door panel | 537 × 320 × 16 =2PCS |
| ⑬ | drawstring | 646 × 60 × 16 =1PC |
| ⑭ | | |
| ⑮ | | |
| ⑯ | | |

STEP4



STEP5



STEP6

