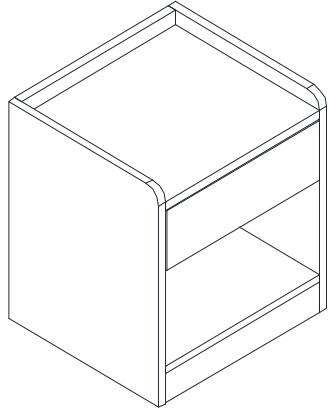
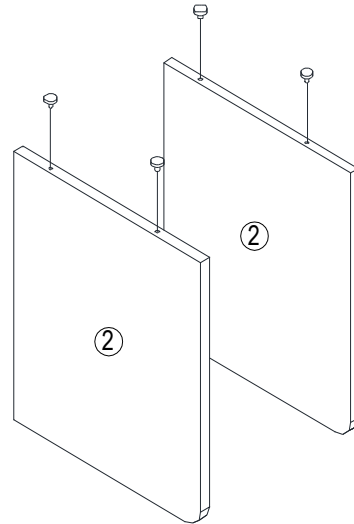


MODEL : NS-400
 DIMENSION : 400×360×435
 DESCRIPTION : EXECUTIVE TABLE

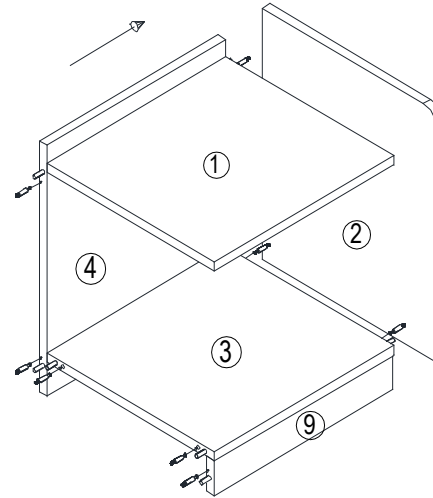
ASSEMBLY INSTRUCTION



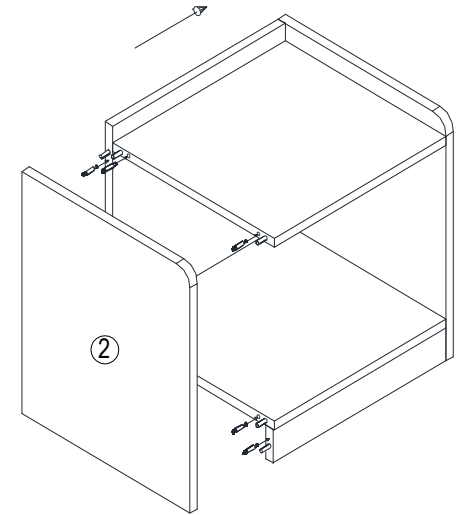
STEP1



STEP2



STEP3

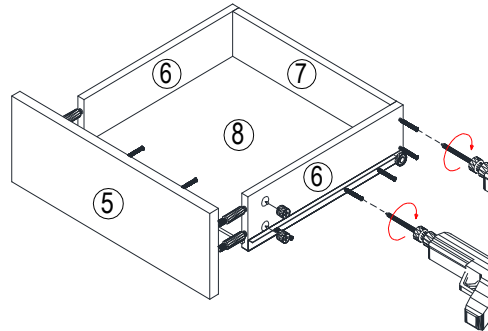


NUMBER

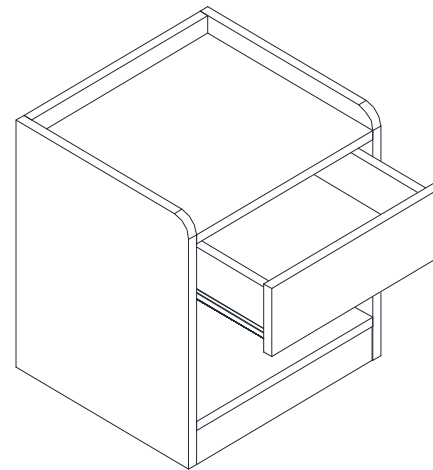
DIMENSION

①	Top plate	368 × 343 × 16 =1PC
②	Side plate	425 × 360 × 16 =2PCS
③	Bottom plate	368 × 343 × 16 =1PC
④	backboard	423 × 368 × 16 =1PC
⑤	Extraction panel	364 × 120 × 16 =1PC
⑥	Extraction side plate	300 × 90 × 16 =2PCS
⑦	Pull back plate	312 × 89 × 16 =1PC
⑧	Pumping bottom plate	322 × 294 × 3 =1PC
⑨	leg	368 × 60 × 16 =1PC
⑩		
⑪		
⑫		
⑬		
⑭		
⑮		
⑯		

STEP4



STEP5



STEP6

