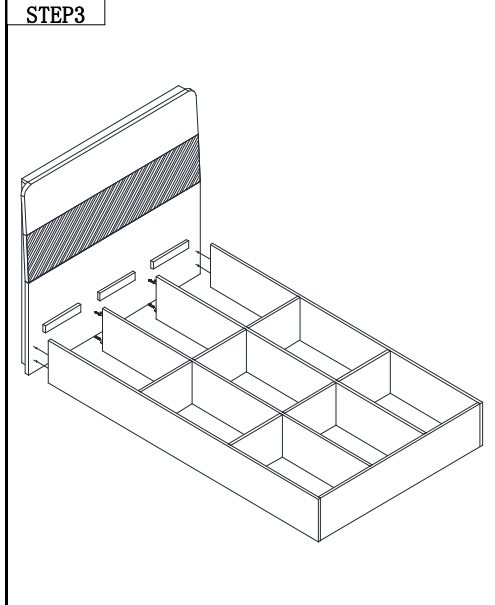
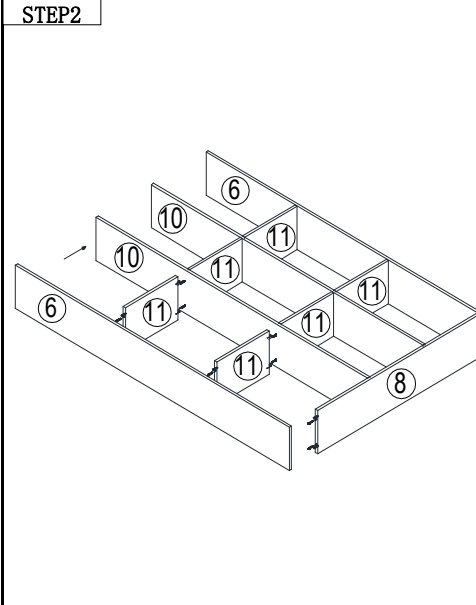
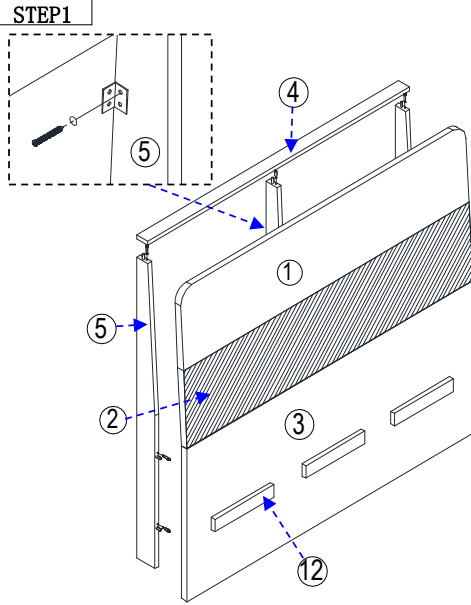
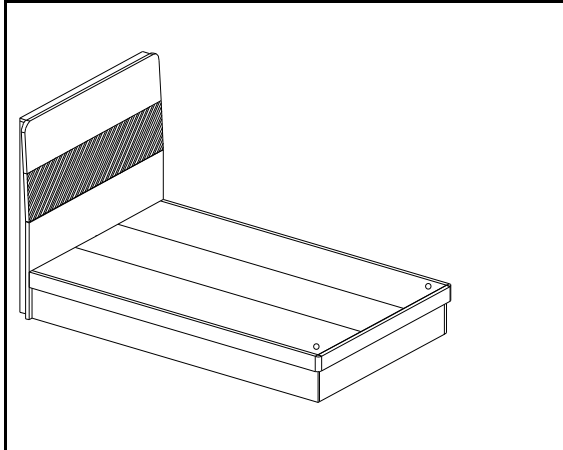


MODEL : QEB-1520
 DIMENSION : 2100×1520×1100
 DESCRIPTION : EXECUTIVE TABLE

ASSEMBLY INSTRUCTION



NUMBER	DIMENSION
① On the headboard	1520 × 275 × 25 =1PC
② headboard	1520 × 275 × 25 =1PC
③ Under headboard	1520 × 550 × 25 =1PC
④ Head bar	1420 × 45 × 16 =1PC
⑤ Bed bar	1085 × 75 × 16 =3PCS
⑥ Medial plate	1982 × 254 × 16 =2PCS
⑦ Lateral plate	1977 × 100 × 18 =2PCS
⑧ Bed tail inner plate	1450 × 254 × 16 =1PC
⑨ Bed tail outer plate	1472 × 100 × 18 =1PC
⑩ Medial lateral plate	1966 × 254 × 16 =2PCS
⑪ Transverse support plate	473 × 254 × 16 =6PCS
⑫ Side brace	400 × 45 × 16 =3PCS
⑬ Bed plate	1980 × 493 × 16 =3PCS
⑭	
⑮	
⑯	

