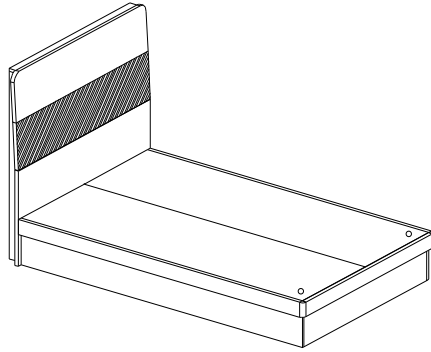
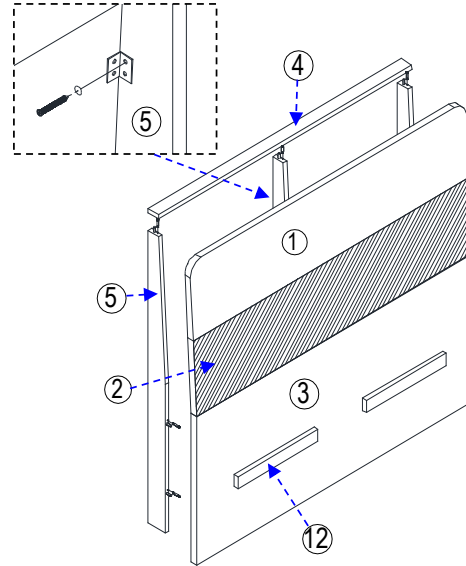


MODEL : SGB-900
 DIMENSION : 2100×900×1100
 DESCRIPTION : EXECUTIVE TABLE

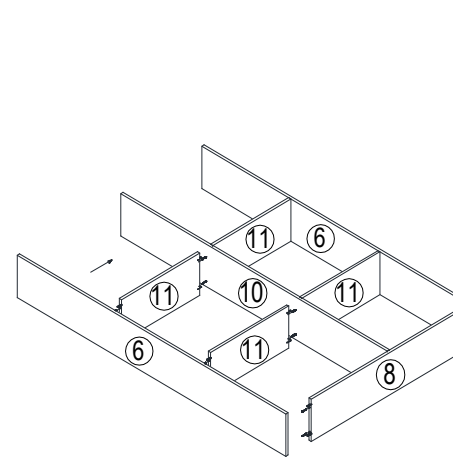
ASSEMBLY INSTRUCTION



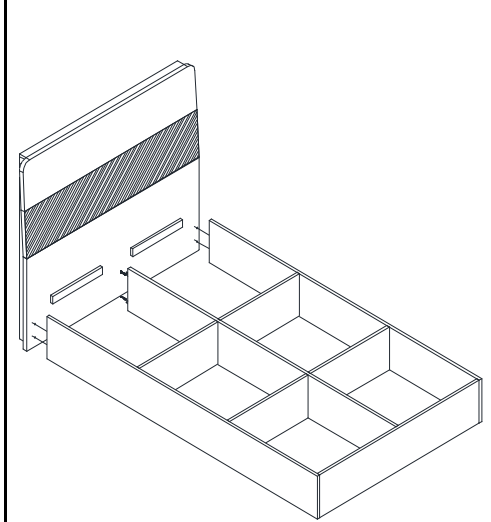
STEP1



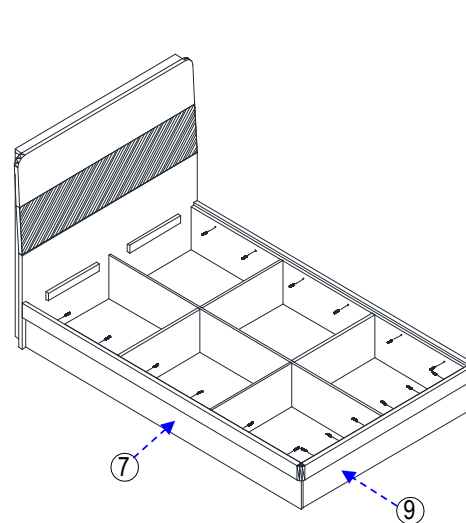
STEP2



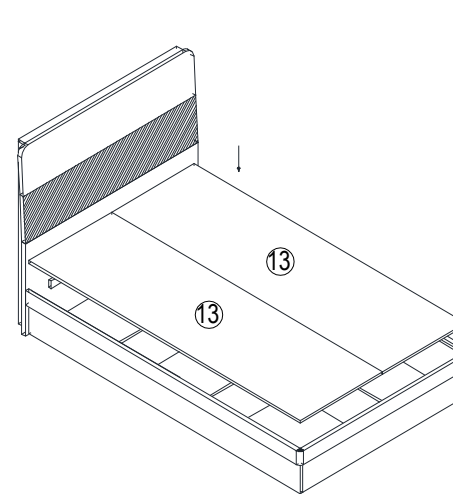
STEP3



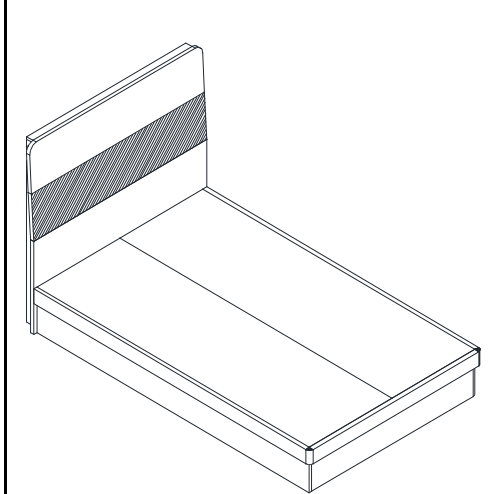
STEP4



STEP5



STEP6



NUMBER	DIMENSION
① On the headboard	900 × 275 × 25 =1PC
② headboard	900 × 275 × 25 =1PC
③ Under headboard	900 × 550 × 25 =1PC
④ Head bar	800 × 45 × 16 =1PC
⑤ Bed bar	1085 × 75 × 16 =3PCS
⑥ Medial plate	1982 × 254 × 16 =2PCS
⑦ Lateral plate	1977 × 100 × 18 =2PCS
⑧ Bed tail inner plate	830 × 254 × 16 =1PC
⑨ Bed tail outer plate	850 × 100 × 18 =1PC
⑩ Medial lateral plate	1966 × 254 × 16 =1PC
⑪ Transverse support plate	407 × 254 × 16 =4PCS
⑫ Side brace	350 × 45 × 16 =2PCS
⑬ Bed plate	1980 × 429 × 16 =2PCS
⑭	
⑮	
⑯	