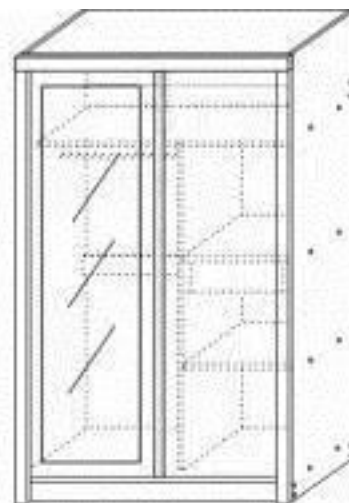
























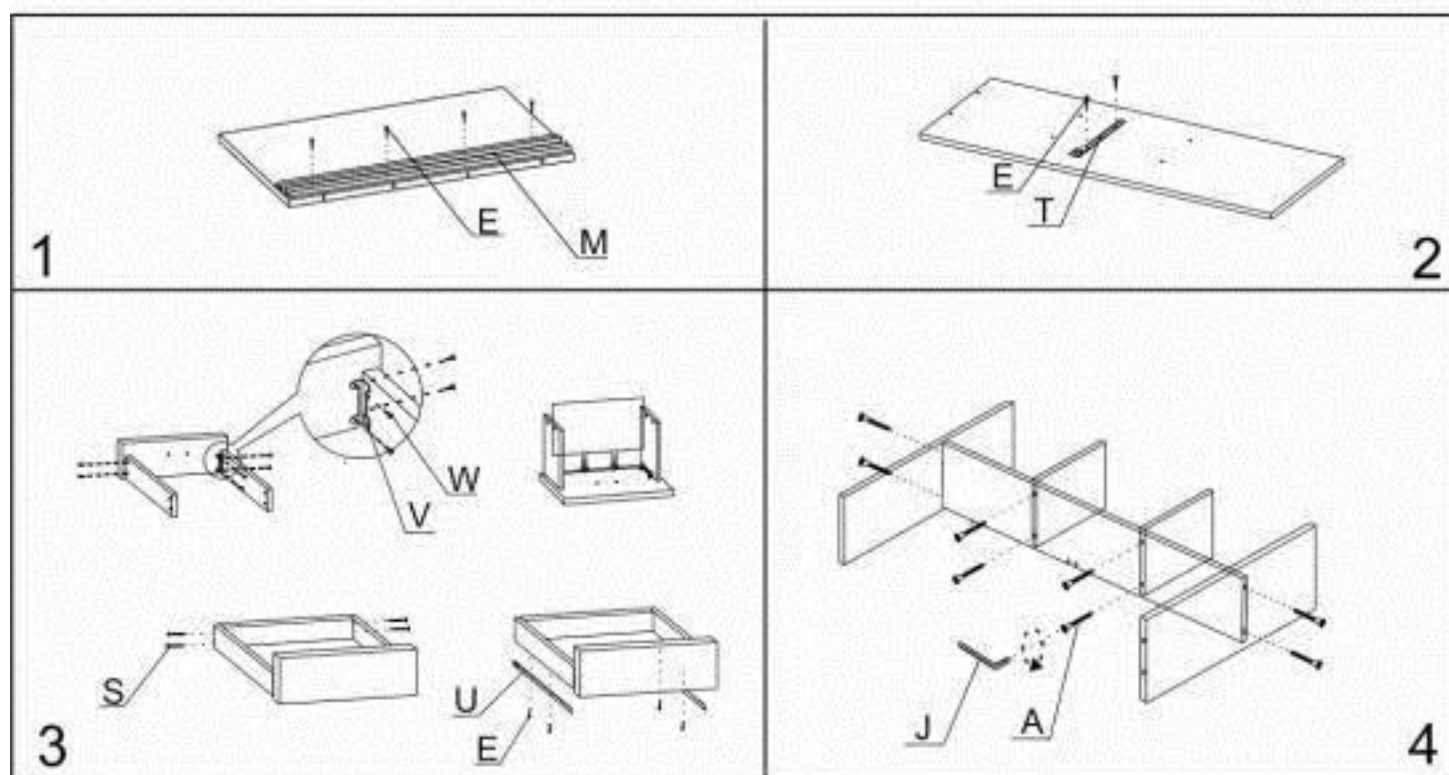


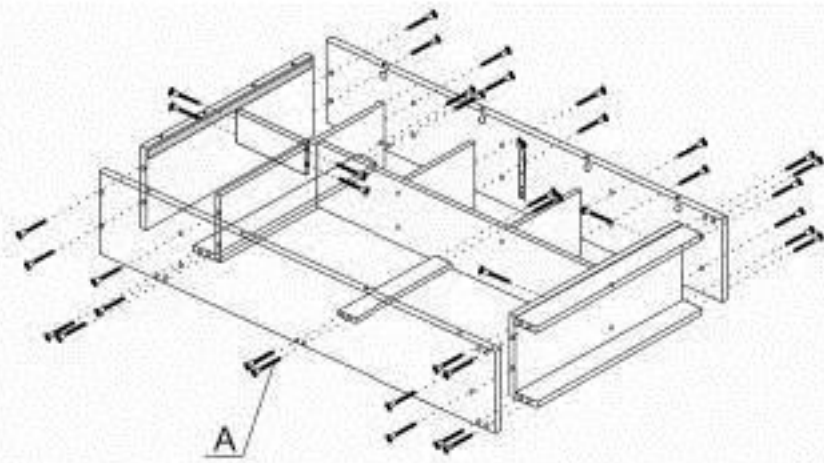
885-120#



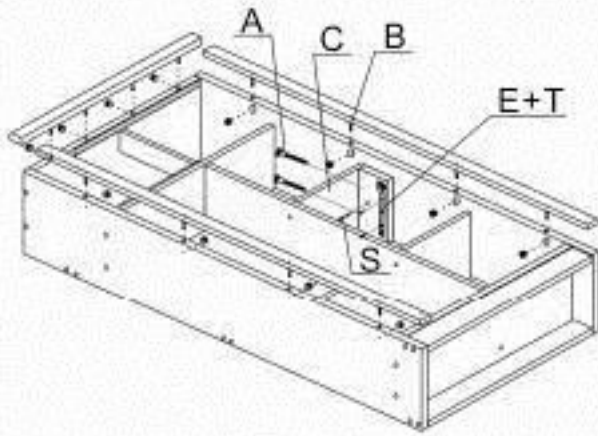
6*50mm Ax52 	35mm Bx12 	Cx12 	Dx8 	3.5*15mm Ex48 	Fx80 
Gx2 	Hx8 	Jx1 	Kx4 	Lx2 	Nx2 
Mx1 	Px1 	Qx32 	Rx1 	3.5*40mm Sx5 	Tx2 
Ux2 	Vx2 	4*14mm Wx8 	X*2 	Yx2 	3*13mm Zx4 



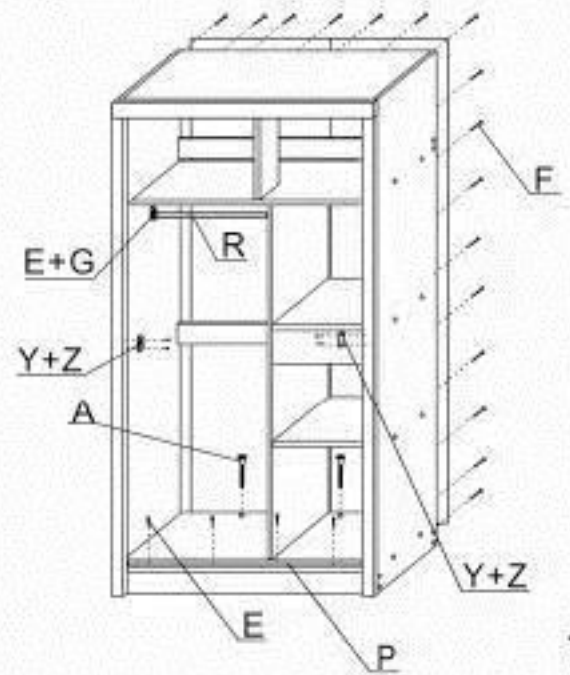
885-120#



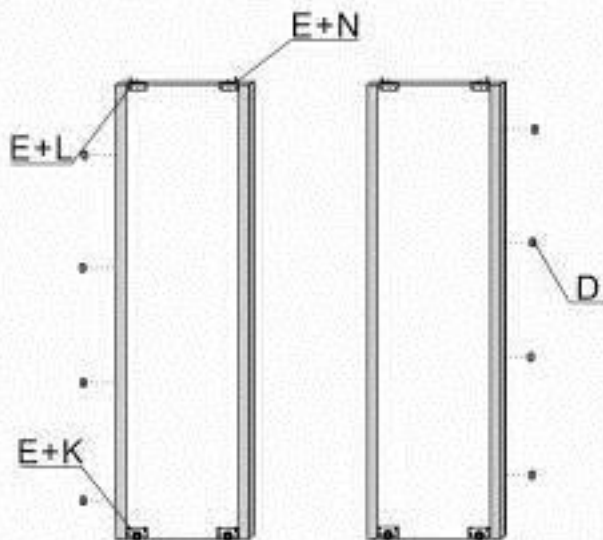
5



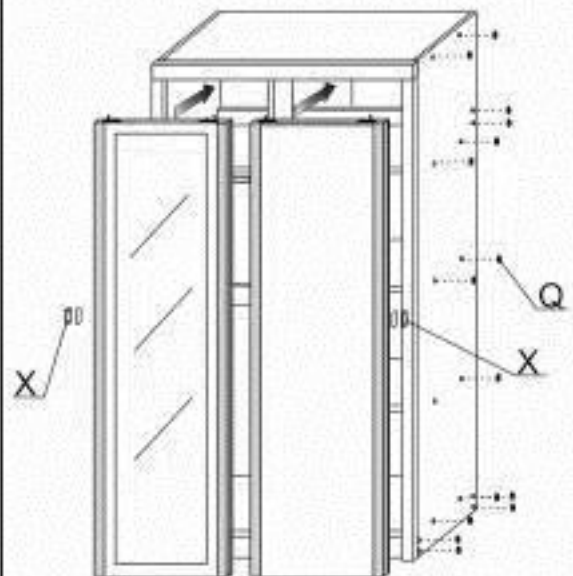
6



7



8



9