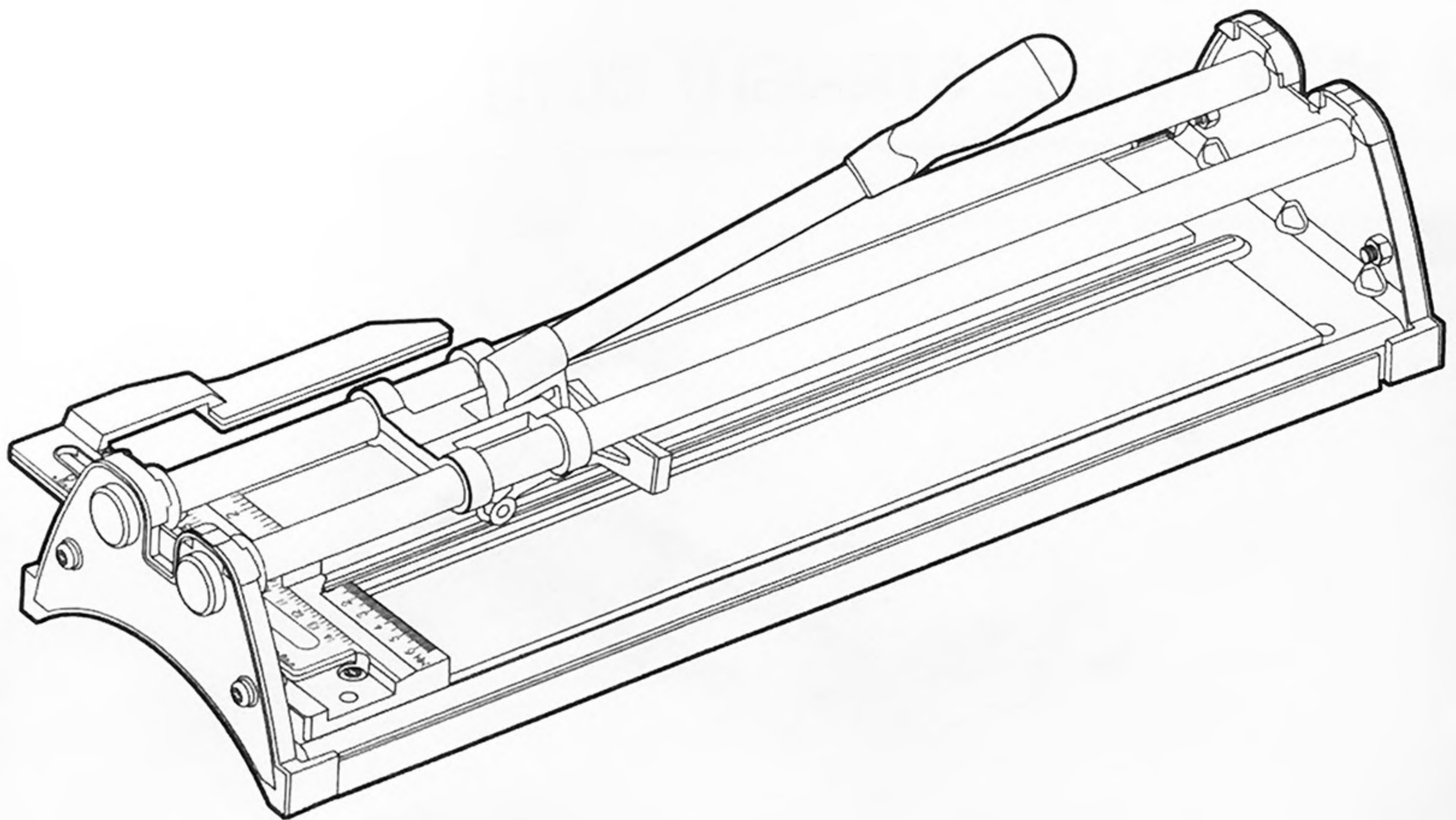


**deli**

# User Manual

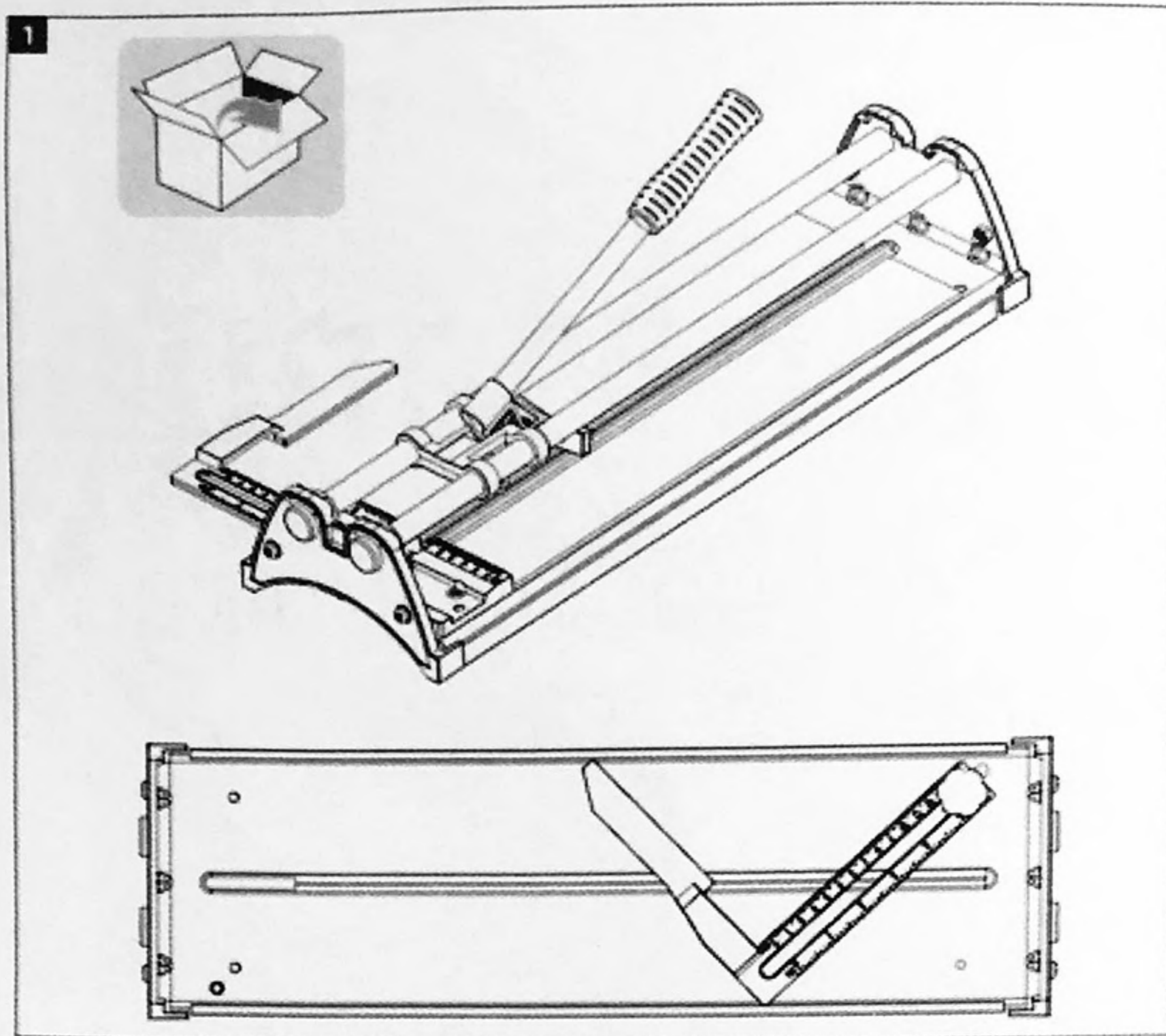
Manual Tile Cutter

DL354060



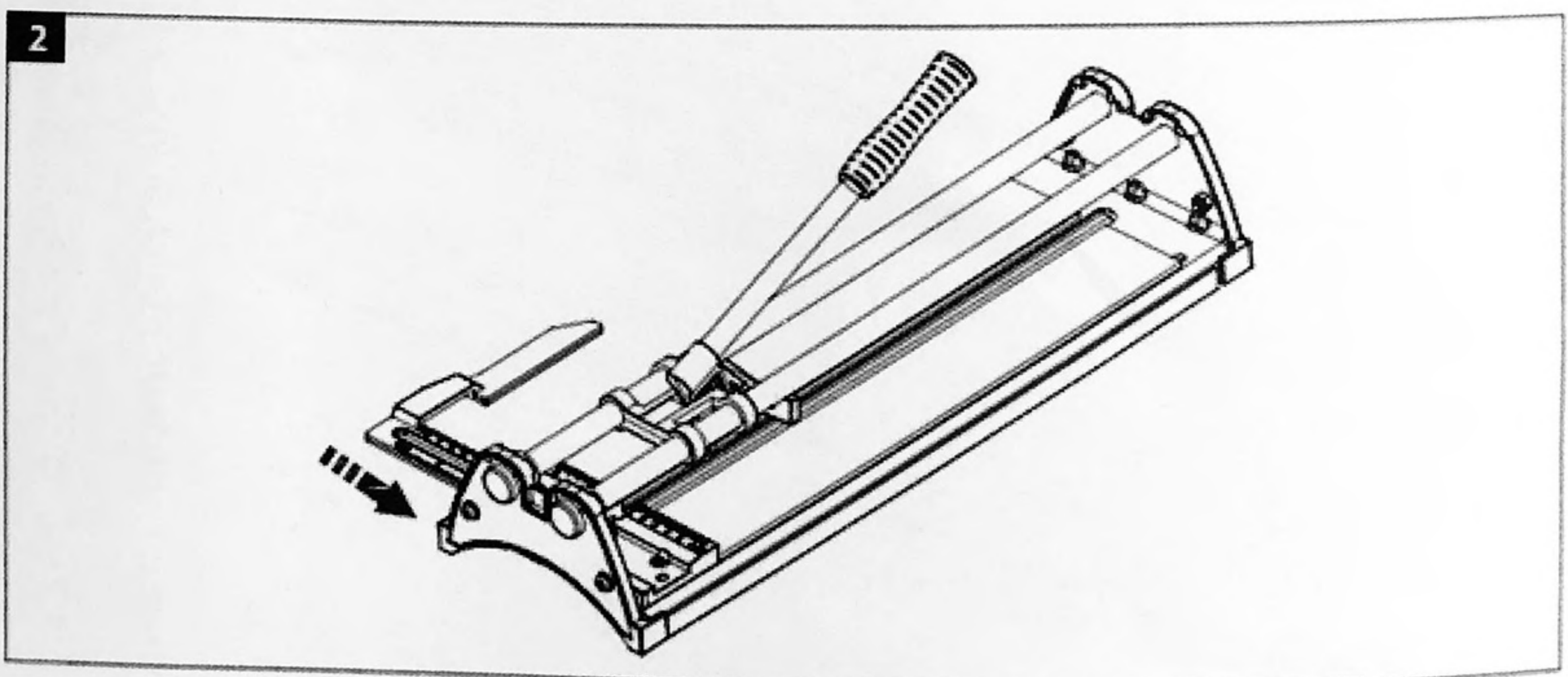
# I ASSEMBLY FIG.1

---



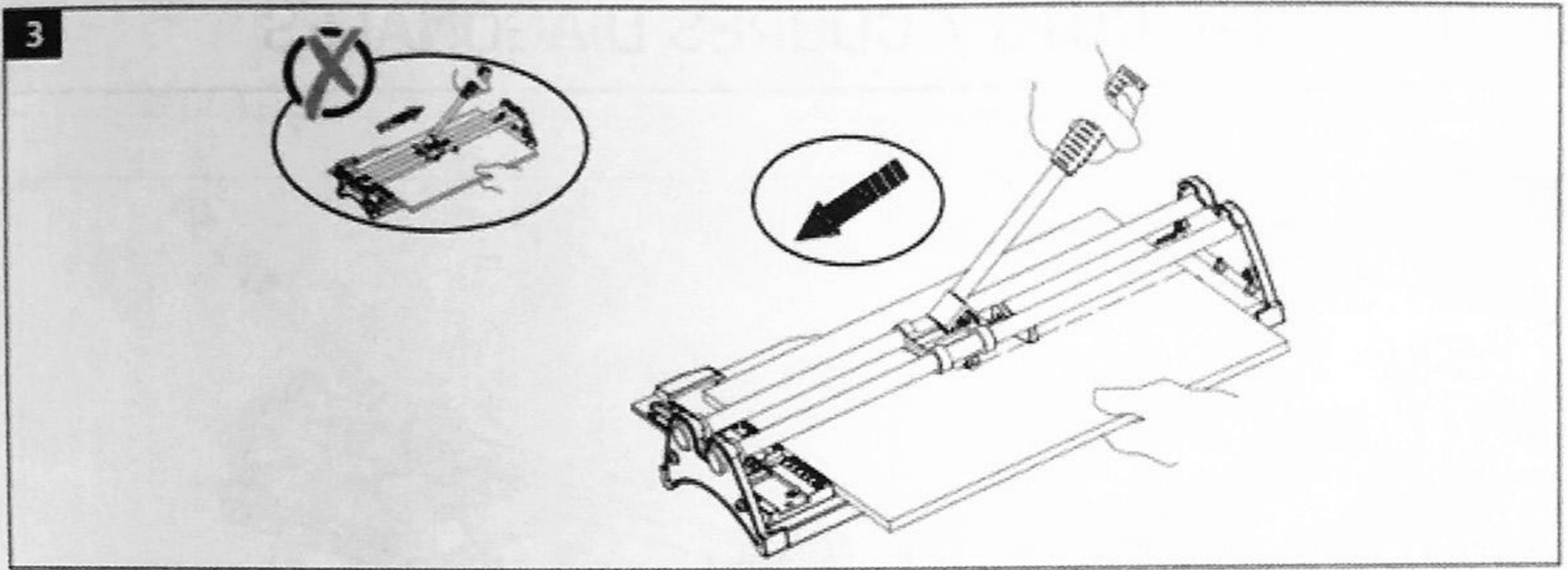
# II HOW TO USE STRAIGHT CUTS

---

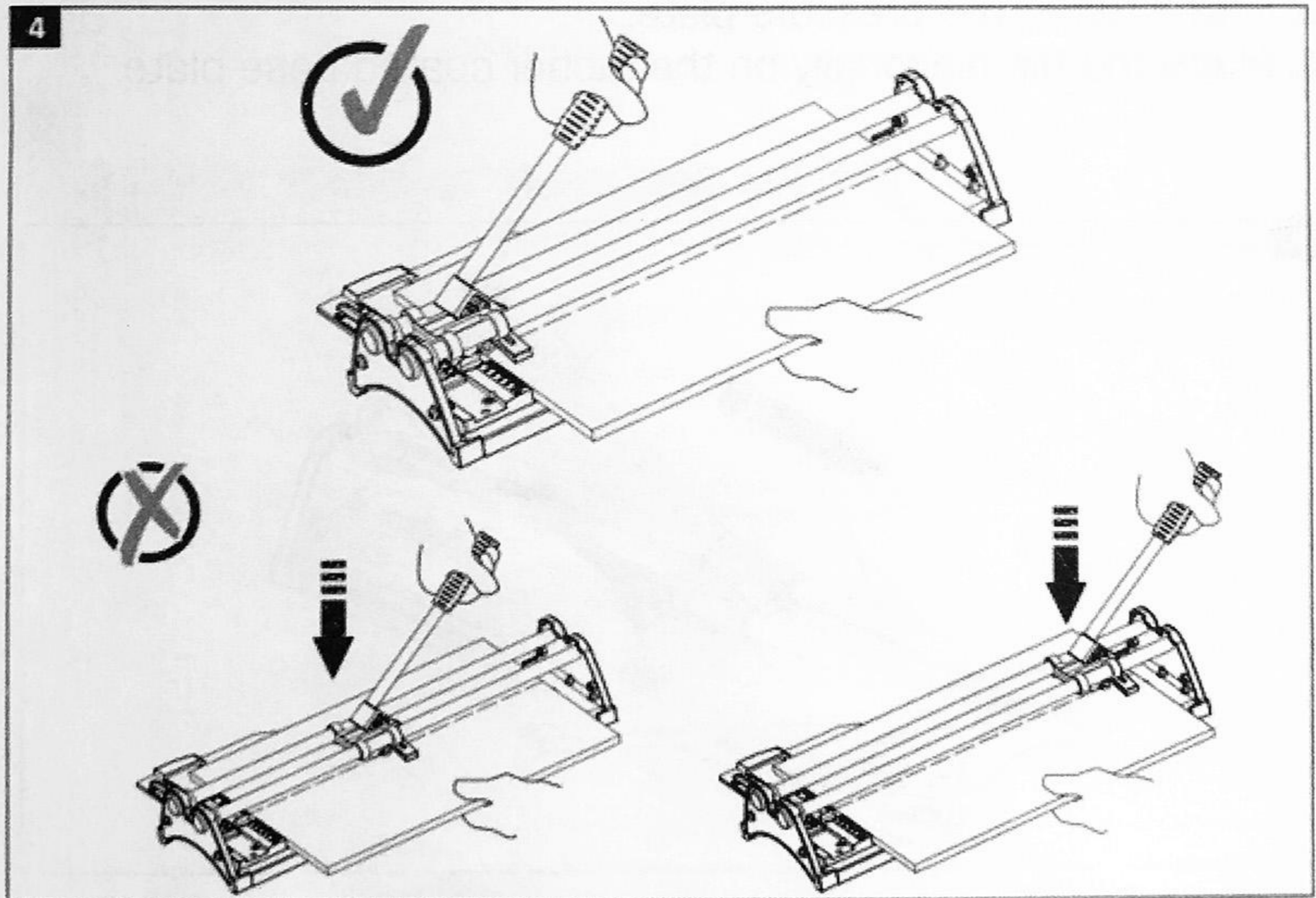


1. Place the product on a horizontal and stable surface.
2. Set a right angle (90%).





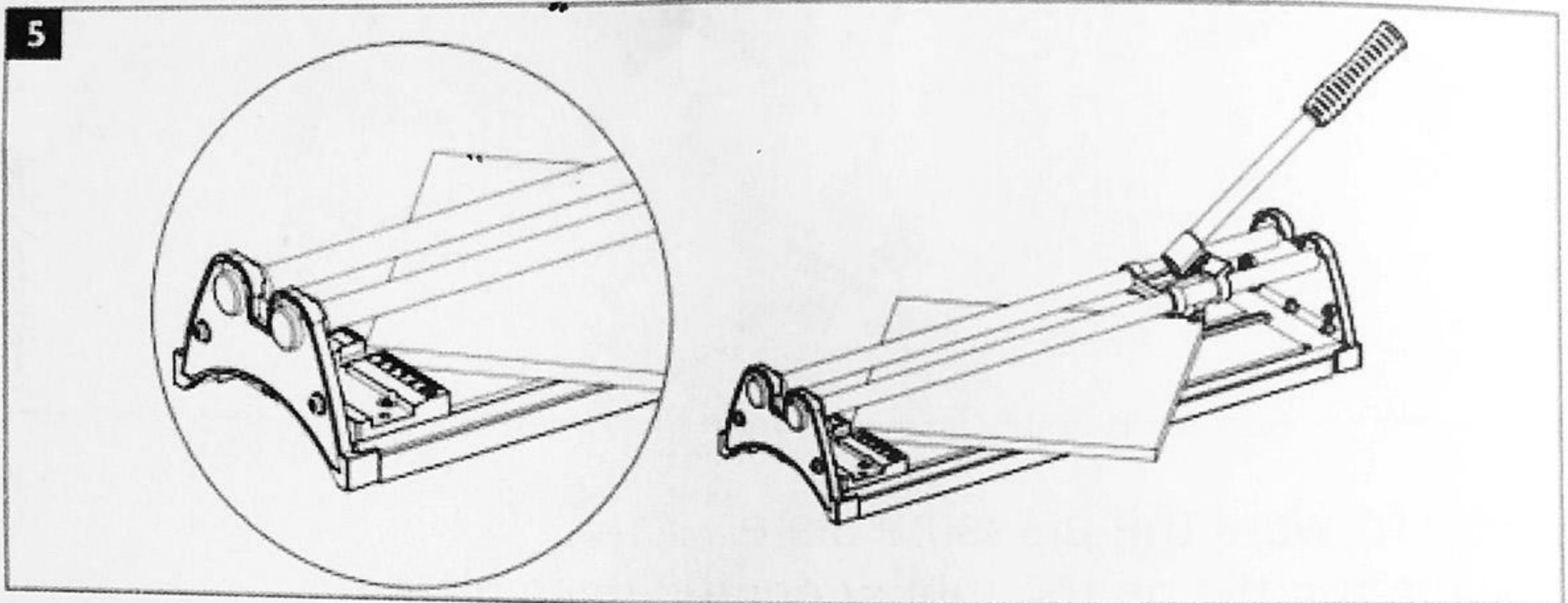
3. Fold forward the pressure plate.
4. Place the tile on the rubber coated base plate.
5. Score a straight snap line.



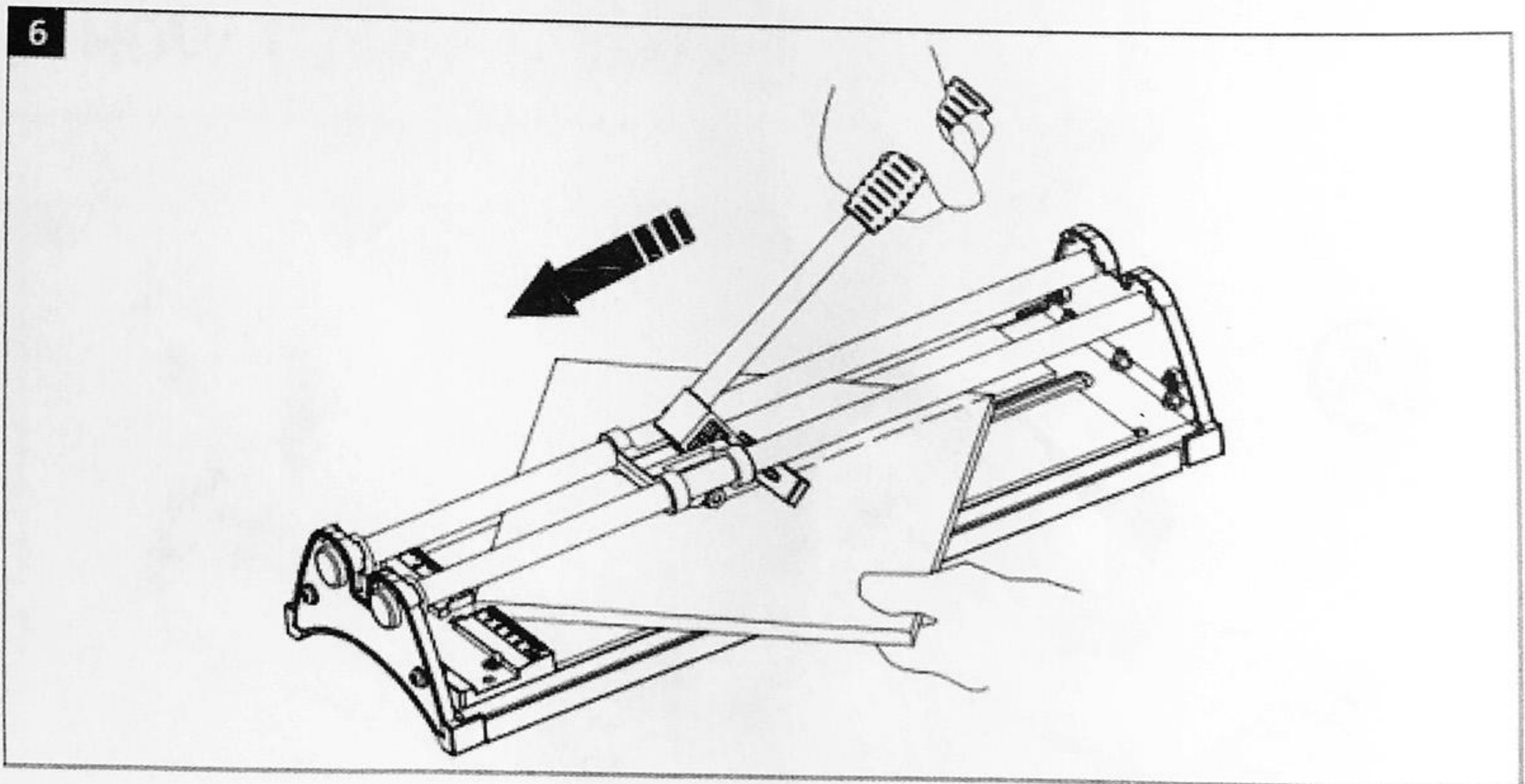
6. Fold down the pressure plate against the tile near the front edge.
7. Snap the tile by pressing it down.



### III DIAGONAL CUTS / COUPES DIAGONALES

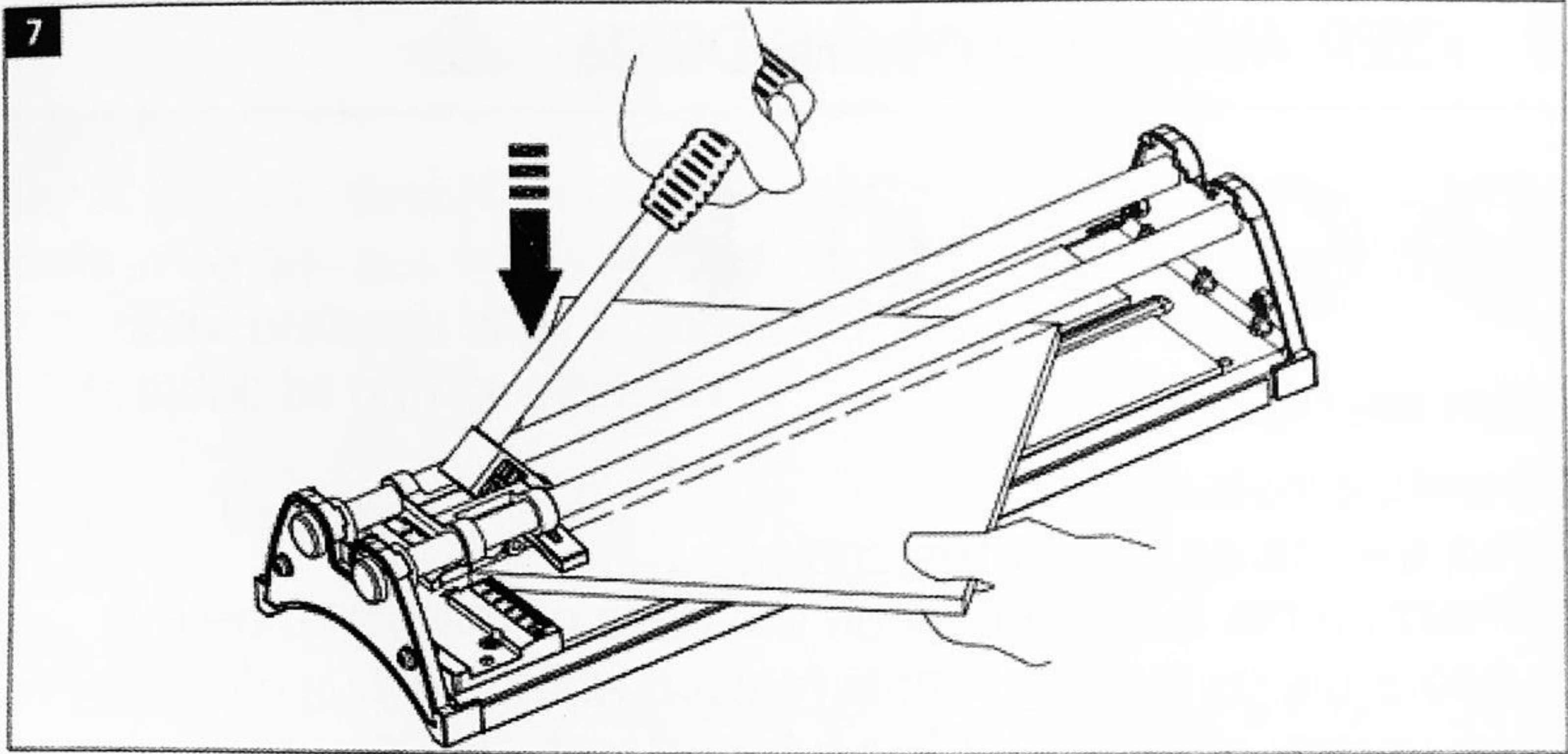


1. Place the product on a horizontal and stable surface.
2. Set an angle of  $45^\circ$ .
3. Fold forward the pressure plate.
4. Place the tile diagonally on the rubber coated base plate.



5. Score a straight snap line.

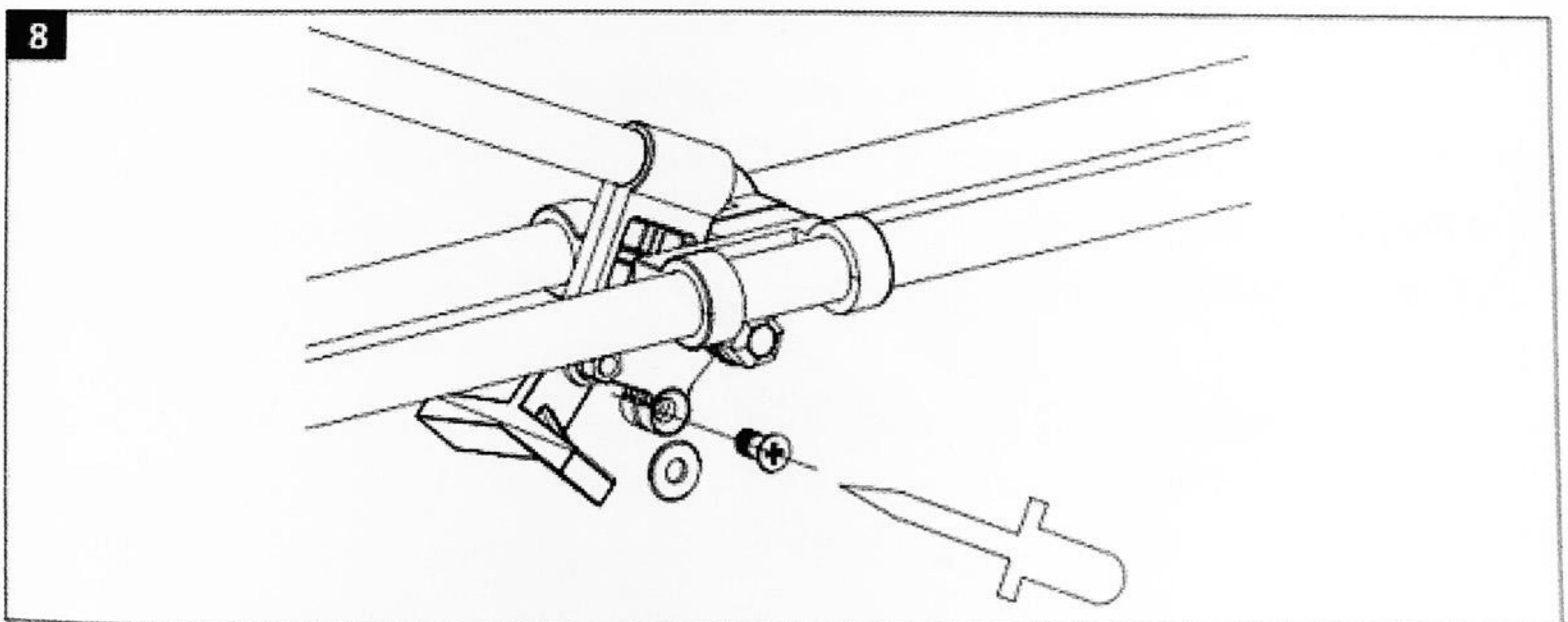




6. Fold down the pressure plate against the tile near the front edge and snap the tile by pressing it down.

#### IV REPLACING THE SCORING WHEEL

---



Unscrew the scoring wheel axle with a screwdriver, fit a new wheel, and replace the axle.

V KEEP AWAY FROM CHILDREN.



## USER INSTRUCTION

### Operating Instructions

1. Put the tile on bed of the cutter.
  2. Position tile cutter wheel on the base of the tile to be cut.
  3. Score tile by moving handle forward while pressing down lightly, keep steady pressure for the full length of the tile.
  4. At the end of the score the wheel is "Dock" leaving the anvil in a position over the score line.
  5. When the wheel docked, pressing down slightly applying increasing pressure until the tile snaps.
- ( Tip: when pressing down on the handle with one hand the tile down where you started score with the other hand )



## Product Warranty Card

Dear users :

Thank you for buying our products. In order to ensure your profit, users who buy our products can contact local distributor or Specified repair stations with invoice and warranty cards if the product failures due to quality problems.

Warranty Notice:

1. From \_\_\_\_\_ (Year/Month/Day) to \_\_\_\_\_ (Year/Month/Day),

If the failure happen in normal use, our company will provide free warranty, parts replacement and other services according to the failure situation.

2. This warranty card and purchase invoice are the voucher of after-sales service provided by our company to customers. The card must be detailed only after filling in the following form and affixing the official seal with the distributor.

3. In one of the following cases, free warranty service will be invalid, and maintenance fees will be required:

- (1) Exceed the expiration date;
- (2) Failure or damage caused by not following the requirements of the product manual, maintenance or improper storage;
- (3) Failure or damage caused by disassembling, repairing or modification of the product without the permission of our company;
- (4) Machine breakdown or damage caused by force majeure;
- (5) Consumable accessories.

This card is issued with the product. One card for one machine, to ensure that you can fully enjoy the right to free warranty service provided by the company, please keep this card properly, lost will not be replaced.

Purchase Date: \_\_\_\_\_ (Year/Month/Day)



# Product Certificate

Inspector:

01

---

Date of manufacture:

---

NINGBO DELI TOOLS CO., LTD.  
No. 128 Chezhan West Road, Huangtan Town,  
Ninghai County, Ningbo, Zhejiang, China  
delitoolsglobal@nbdeli.com  
www.delitoolsglobal.com  
+86 574 87562689  
MADE IN CHINA



Reserved for future use

Version: 1.0

Date: Sept. , 2022