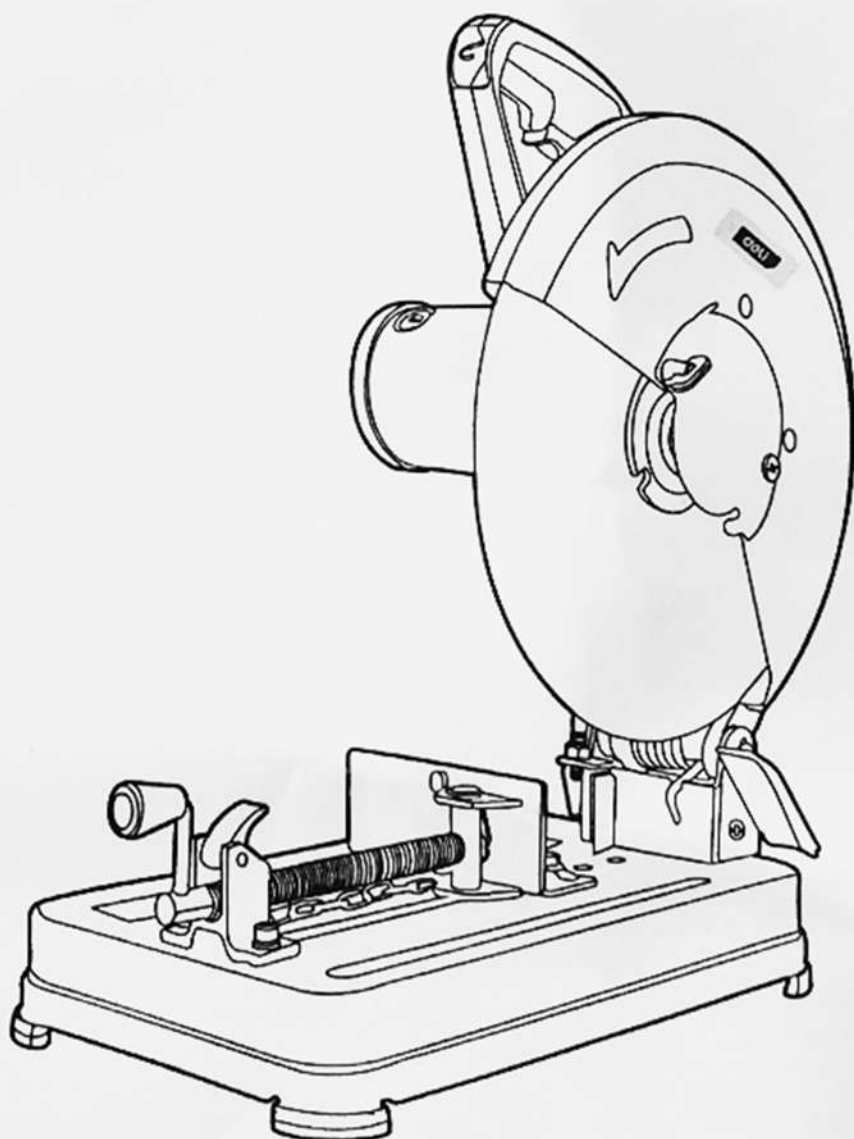


deli

User Instruction Manual

CUT OFF SAW DL-XQ355-E1



1 General Warnings & Reminders for Electric Tool >>>

Warnings:

Read all warnings, reminders and instructions. Failure to obey warnings, reminders and instructions may cause electric shock, fire and/or other serious injuries.

Keep all warnings, reminders and instructions properly for future reference.

"Electric tool" in warnings, reminders and instructions refers to electric tool that must be connected to power supply (with wire) and electric tool using battery (without wire)

1.1 Safety rules for workplace

1. The workplace must be kept clean with sufficient lighting. A messy or dark workplace is prone to cause accidents.
2. Do not operate this electric tool in an environment with explosive danger. The environment with explosive danger refers to a workplace filled with flammable liquid, gas or dust. Sparks from machine operation will easily ignite dust or flammable vapor.
3. Keep children or bystanders away from the workplace during machine operation. The distraction due to third-party interference at work may cause the operation out of control.

1.2 Safety instructions for using electrical appliances

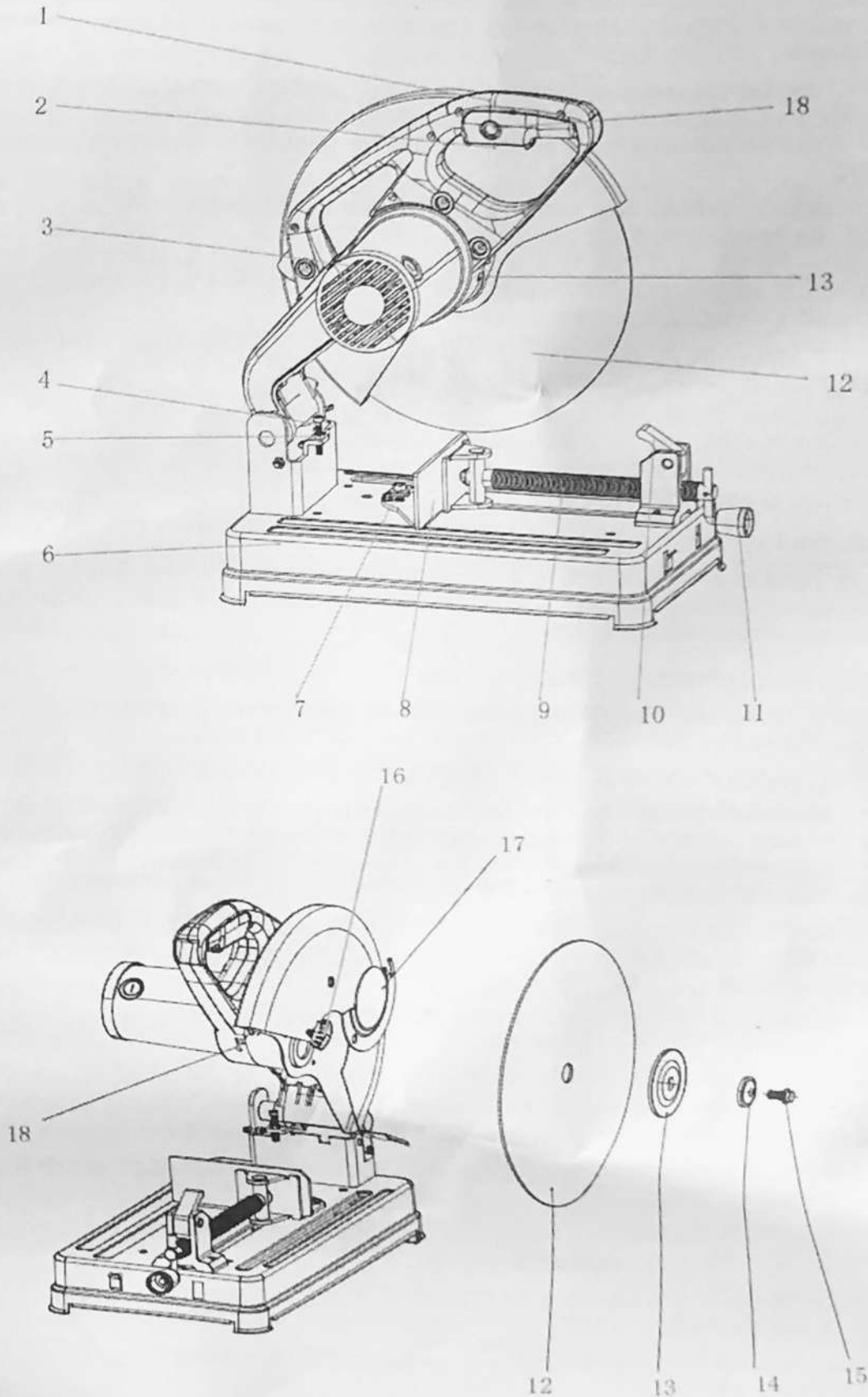
4. The used socket must match with electric tool plug. Never change the plug arbitrarily. Do not use adapter plug together with the grounded electric tool. Using original plug for the ex-factory machine and appropriate socket can reduce electric shock danger.
5. Avoid human body touching grounded objects such as water pipe, radiator, electric furnace and refrigerator, etc. If your body is grounded, you are very vulnerable to electric shock.
6. The machine must be kept away from rain or moisture. If water seeps through electric tool, it will increase electric shock danger to the operator.
7. Handle wires correctly. Do not carry and hang electric tool using wires or pull out the plug by drawing wires. Wires must be kept away from heat, grease, sharp edges or rotating components. Damaged or entangled wires will increase electric shock danger to the operator.
8. If electric tool is used outdoors, use only the extension cords suitable for outdoors. Using the qualified extension cords for outdoors can reduce electric shock danger to the operator.
9. If it is unavoidable to use the electric tool in a humid environment, use residual current protection switch. Using residual current protection switch can prevent electric shock.

1.3 Safety instructions for operator

10. Make sure to concentrate during work, not just keeping a sober mind but operating electric tool more rationally. Never operate electric tool after fatigue, drinking alcohol or taking drugs, stimulants or medicines. Even a slight distraction while using electric tool may lead to serious accidents.
11. Wear your personal protective equipment and goggles. If wearing appropriate protective equipment such as dust mask, non-slip work shoes, helmets or earmuffs according to the used electric tool, it can reduce the chance of work injury.
12. Avoid accidental start of machine. Make sure to first check whether electric tool is in an off state before plugging and/or installing battery, lifting or moving the machine. If you touch the switch with fingers when carrying electric tool, or start-stop switch is still set at the start position when connecting power supply, they may cause very serious accidents.
13. Before starting electric tool, the adjusting tool and/or screw wrench still plugged into the machine must be dismantled. If the machine has started rotating but the adjusting tool is still plugged into the machine, it is very likely to injure the user.
14. Avoid incorrect holding posture. Ensure to stand securely and keep balance at any time when operating the machine. A correct operating posture can help you promptly control electric tool under emergency.
15. Wear appropriate work clothes. Neither wear too loose clothes nor wear jewelry during work. The hair, clothes and gloves are forbidden to touch rotating components on the machine.

Loose clothes, long hair or jewelry are likely to get caught in the rotating components.

16. If a vacuum cleaning device or dust collection apparatus can be installed on the machine, make sure to install such auxiliary tool according to instructions and operate this device correctly. Using vacuum cleaning apparatus can prevent work dusts from harming the human body.



1.4 Use and handle electric tool cautiously

17. Do not overload the machine. Select proper electric tool according to the nature of work. Based on correct selection of electric tool, the machine is operated in a more efficient and safe manner within the specified power range.
18. Do not use an electric tool with malfunctioning switch. If start-stop switch cannot be manipulated normally, it is very prone to cause accidents when operating the machine. Send the malfunctioning machine for repair as quickly as possible.
19. Unplug from the socket and/or take out the battery first, when adjusting machine settings, replacing parts or not using the machine. This preventive measure can avoid accidental start of electric tool.
20. When electric tool is not used, store the machine out of the reach of children. Do not allow people who are unfamiliar with machine operation method or have not read the instruction manual to operate this machine. Operating electric tool by an inexperienced person is prone to accidents.
21. Meticulously maintain and preserve electric tool. Check whether rotating parts on the machine run normally and confirm whether parts are broken or damaged. Malfunctioning components will affect electric tool running functions. Make sure to first replace or repair malfunctioning components before using the machine. If machine preservation work is not implemented thoroughly, it is prone to cause work accidents.
22. Cutting tool must be kept sharp and clean. Meticulously maintained and sharp-edged cutting tool is less likely to get clamped and easier to operate.
23. Follow these instructions to use electric tool, accessories and tools installed on the machine. Additionally, also note explanations regarding machine operation mode and scope of use. If electric tool is used to perform work at variance with the performance of this machine, it is very prone to accidents.

1.5 Overhaul service

24. Only hand over electric tool to qualified professionals for overhaul. Replace only with original manufacturer parts and accessories during overhaul. The safety performance of machine is ensured only in this way.

2 Safety Instructions for Machine >>>

1. Properly fix the workpiece. Using a fixture or vise to fix the workpiece is more sturdy than holding it with hands.
2. Do not process materials containing asbestos. Asbestos may cause cancer.
3. If machine operation will generate waste dusts that are harmful to health, flammable or may cause explosion, make sure to take proper protective measures. For example, for some dusts that may cause cancer, make sure to wear a dust mask. If you can install a vacuum cleaner on the machine, add such component as well.
4. The workplace must be kept clean. Different working dusts are easy to produce chemical reactions after mixing, which is very dangerous. Light metal waste dusts are easy to catch fire or cause explosion.
5. Do not leave the tool until it entirely stays still. If the tool still remains rotating, it may cause injury.
6. Do not use electric tool with damaged wires. If power wires are damaged during work, never touch the damaged wires and pull out the plug immediately. The damaged wires will increase electric shock danger to the user.
7. When electric tool is used outdoors, a residual current (FI) protection switch must be installed on electric tool.
8. Do not stand on electric tool. If electric tool is overturned suddenly or accidentally touches the cutting blade, they may cause serious injury.
9. This electric tool is only applicable for dry cutting. If moisture seeps through electric tool, it may cause electric shock.
10. Never put hands in the cutting range if electric tool is still rotating. Touching the cutting blade will cut yourself.

11. If electric tool is still rotating, never attempt to remove cutting chips, metal chips or similar debris in the cutting range. Make sure to first retract the machine arm and then turn off electric tool.
12. First start the machine and then put cutting blade on the workpiece. Otherwise if cutting blade is clamped in the workpiece, it will strike back.
13. Confirm no adjusting tool and metal chips in the working range and workpiece before operating electric tool. Metal fragments or other objects will bounce off quickly if touching the rotating cutting blade, which may hit and injure the operator.
14. Make sure to properly fix the workpiece. Do not process the workpiece unable to fix due to tiny size, because the distance between hand and cutting blade will be too small.
15. Please take care not to let sparks hurt bystanders when operating the machine. Grinding metal will generate splashing sparks, and therefore flammable objects near the work site must be removed.
16. This cutting machine can only cut materials recommended by the manufacturer. Otherwise cutting machine will be overloaded.
17. Do not use the cutting blade that is damaged, deformed or vibrates when rotating. Damaged cutting blade will generate great friction when running, easily get clamped and strike back.
18. Use the cutting blade with correct specification and appropriate cutting blade connecting hole (e.g. star-shaped connecting hole or round connecting hole). If cutting blade connecting hole and cutting machine connector cannot anastomose completely, the cutting blade will lose balance when rotating and easily cause the operation out of control.
19. After the end of work, do not touch the cutting blade if it has not cooled down. The cutting blade will become very hot during work.

Safety rules for cutting machine with movable shield

Check whether the shield functions normally and friction occurs or not when moving it. Do not fix the shield in an opening state.

3 Overview >>>

Use machine as specified

This electric tool is a vertical machine. After installing cutting blade on the machine, it can perform vertical straight cutting, horizontal straight cutting and cutting with a maximum angle of 45° on metal materials. Do not wash with water while cutting.

4 Operation & Use >>>

- To avoid accidental activation of electric tool, do not insert machine plug into the socket when installing cutting blade or performing its repair work.
- The base must be placed on a suitable workbench or flat ground for the sake of operation safety.

Fixture operation


Using fixture 6 can alleviate the handling work of electric tool transportation.

Unlock the fixture: Hold handle 1 and gently press down machine arm to alleviate the load of fixture 6. Then pull out fixture and slowly lift up machine arm

Reminders: Do not use this fixture during work.

To lock the fixture, simply press the fixture inside when lowering machine arm to the designated position.

Remove and install cutting blade

 Note:

Maximum allowable speed of the used cutting blade shall not be lower than no-load speed of electric tool.

Removal: Lift movable shield 17 till the end, then use a wrench to unscrew hexagon bolt 15, and press down spindle lock 13 at the same time to lock it firmly. Press spindle lock and unscrew hexagon bolt 15, then take out small pressing plate 14 and lower pressing plate 13, and remove the cutting blade.

Installation: Clean all parts before installation if necessary. Install new grinding wheel on spindle 16, and the label on cutting blade must face outward, namely back to machine arm. Successively install upper pressing plate 13, small pressing plate 14 and hexagon bolt 15, press down spindle lock 13 and let it firmly lock and tighten the hexagon bolt (tightening force of about 18-20Nm). Then slowly put down movable shield 17.

Adjust bevel angle

The bevel angle range is 0-45°, and angle value is marked on the angle block. Loosen the fixing bolt of two angle plates using the attached wrench, and then set the desired angle to tighten angle block bolt.

Fix and loosen workpiece

Fixing: Make sure to properly fix the workpiece for the sake of work safety. Do not process the workpiece unable to fix due to tiny size. Lean the workpiece against angle plate 8, and then use push screw rod 9 to clamp the workpiece with the aid of screw rod handle 11.

Loosening: Loosen screw rod handle 9, lift off nut 10, and pull out screw rod 9 that leans against the workpiece.

Machine on and off

Turn on the machine: Press switch button 2, and to lock the switch, press down self-locking switch 18.

Turn off the machine: Simply press switch button 2 to turn off the machine.

Cutting depth adjustment

Depth adjusting screw 4 has undergone adjustment when the machine leaves the factory. When working with 355mm (14 inch) cutting blade, the cutting blade will probably not touch the ground. If cutting blade has been heavily worn, depth adjusting screw can be adjusted to balance the gap. When using a new grinding wheel, make sure to adjust the depth adjusting screw back to ex-factory position. Adjustment method: Hold handle 1, move machine arm to the desired position, turn depth adjusting screw 4 clockwise or counterclockwise until the screw touches the housing, then raise machine arm and tighten the lock nut 5.

General reminders during cutting

Protect the cutting blade from knocking and colliding, rather than stop its running by means of side pressure on it.

Do not let electric tool stop running due to excessive overloading.

Excessive force during machine operation will not only significantly reduce the power of electric tool, but also shorten the service life of cutting blade.

Select appropriate cutting blade according to the workpiece.

Cutting depth adjustment

Make sure to unplug from the socket before repairing electric tool or replacing parts.

To replace electric brush, please use that of our factory for replacement. If the machine has abnormal circumstances or malfunctions, please hand over electric tool to professionals for repair.

Please keep electric tool clean and deal with its dust and dirt in a timely manner.

The movable shield must swing back and forth without hindrance and close automatically, thus requiring to keep clean around the shield at any time.