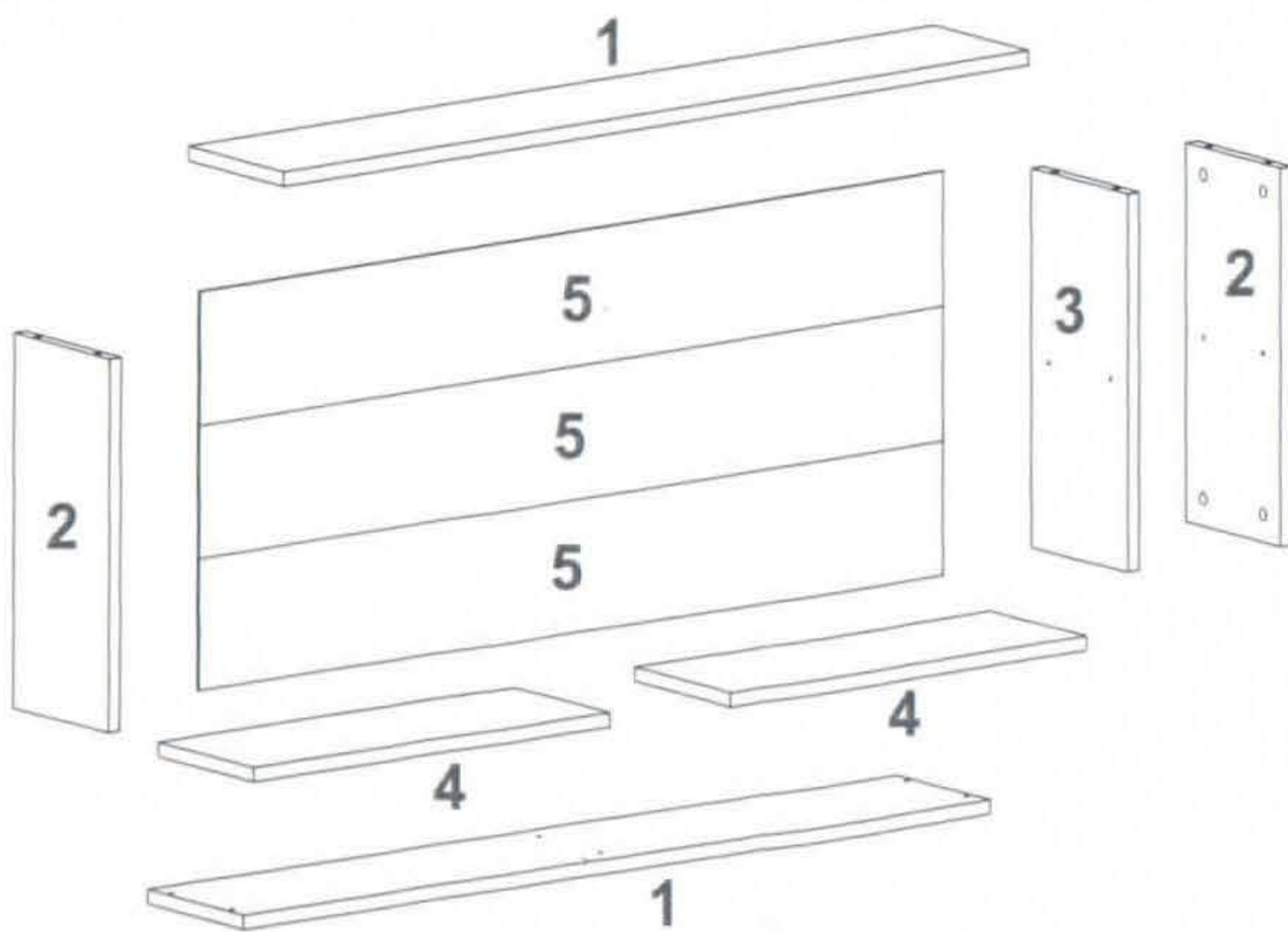
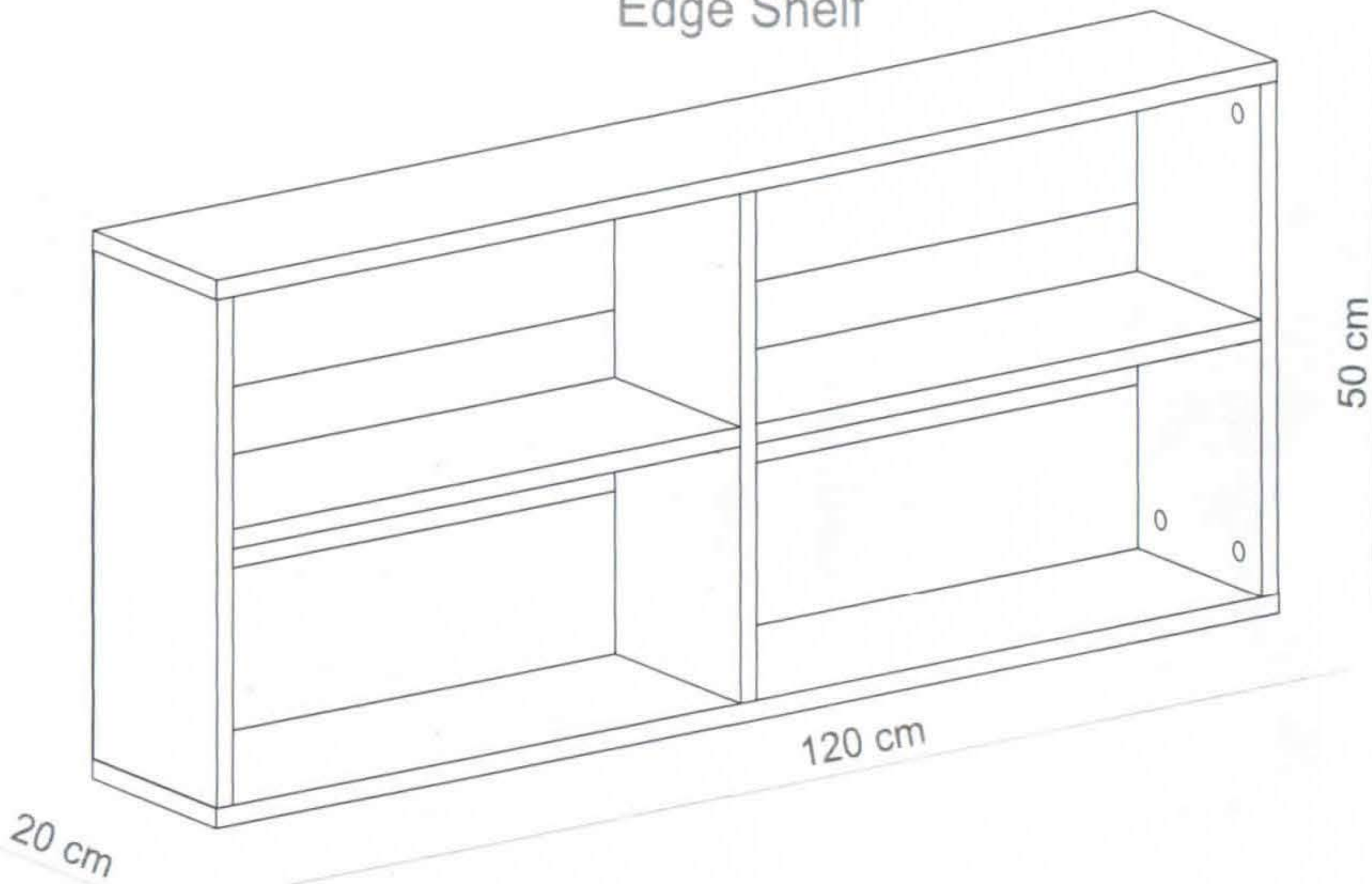











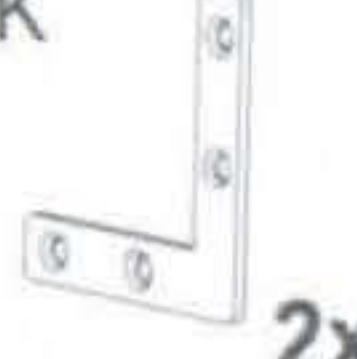

# Assembly and User Manuel



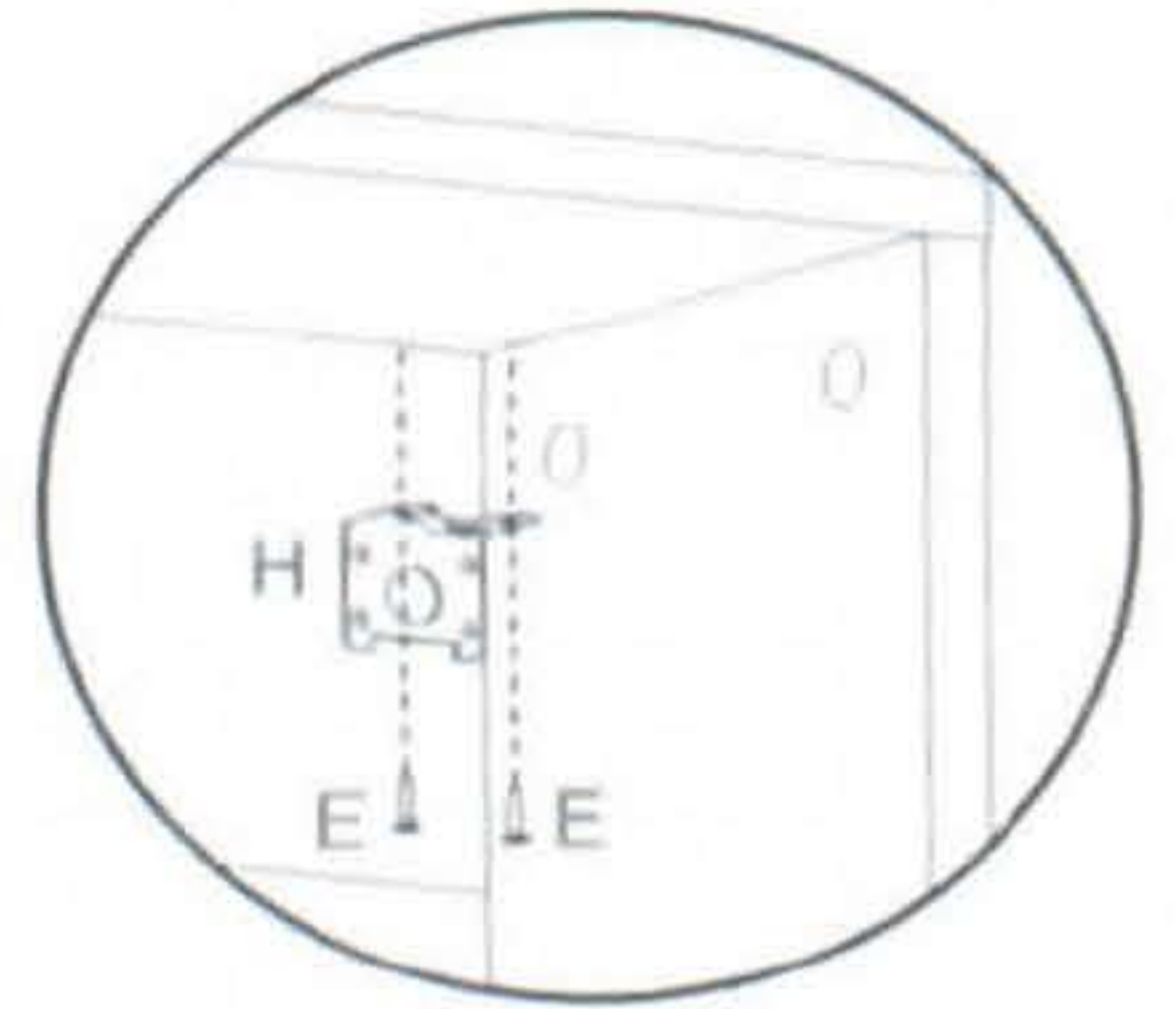
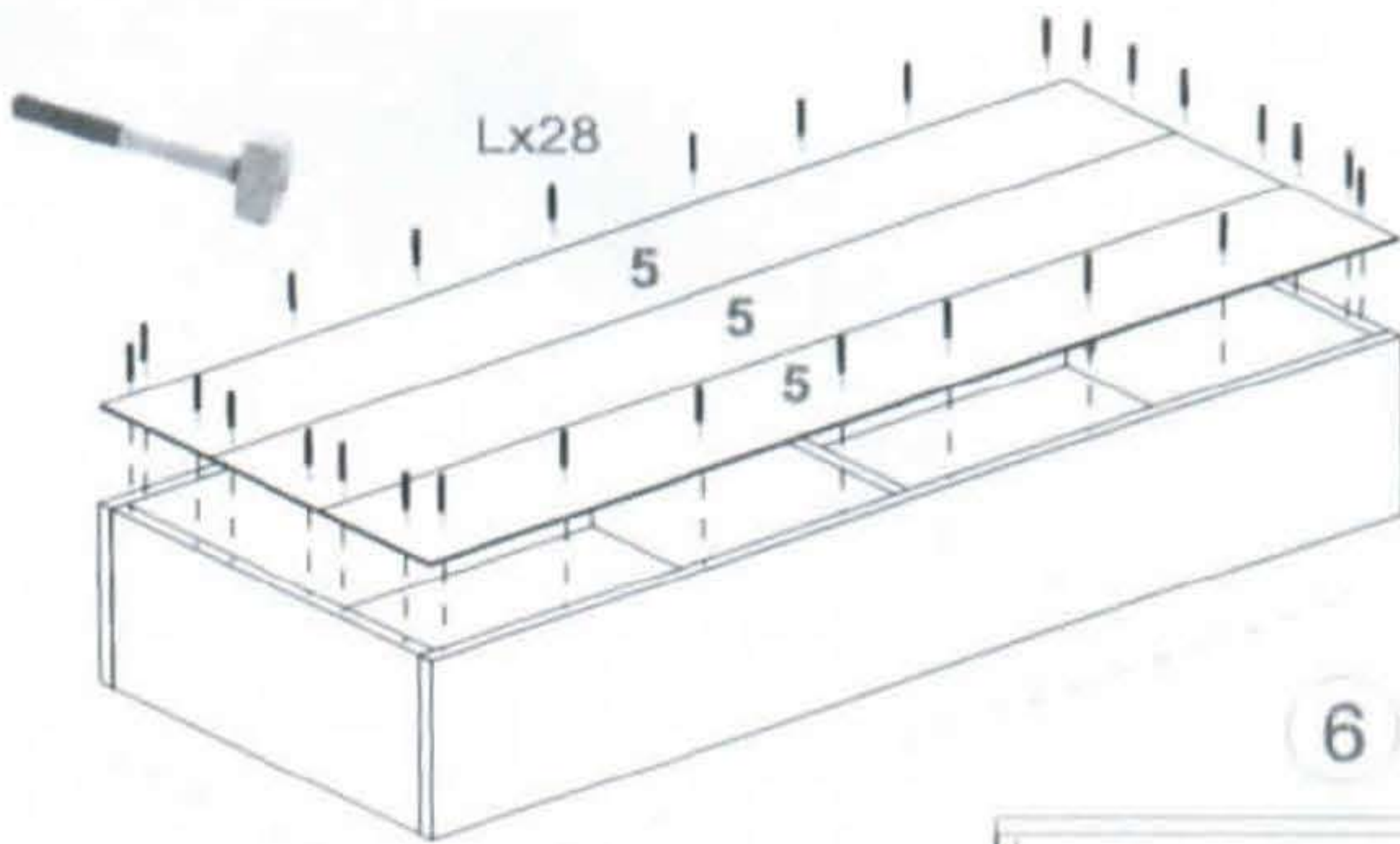
This module must be assembled by two persons.

## Edge Shelf

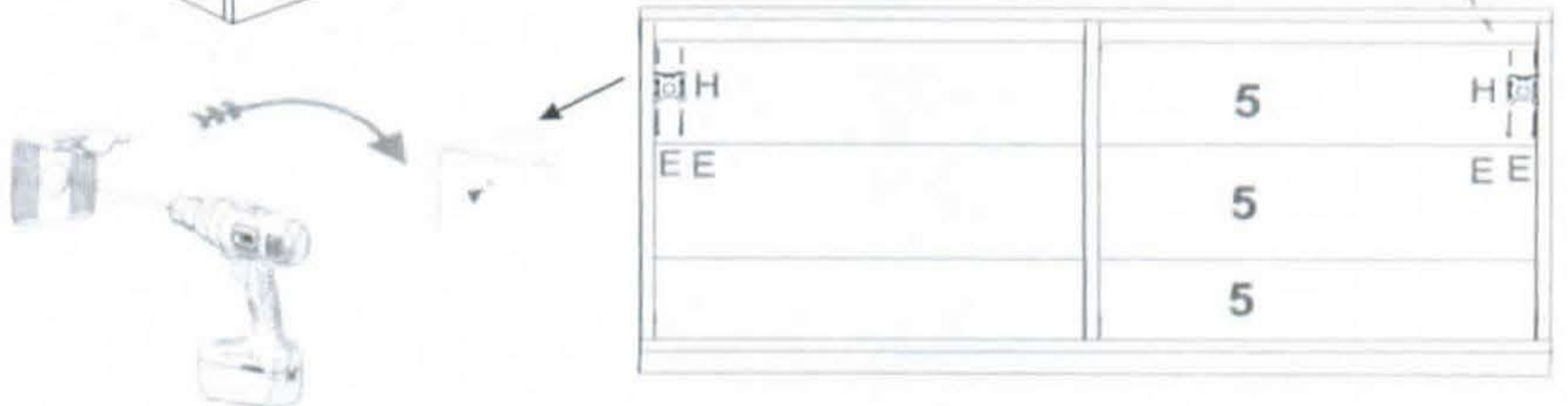


<b>A</b>  <b>12x</b>	<b>B</b>  <b>12x</b>	<b>C</b>  <b>12x</b>
<b>D</b>  <b>8x</b>	<b>E</b>  <b>Ø3,5x18 4x</b>	<b>F</b>  <b>Ø3,5x30 8x</b>
<b>G</b>  <b>Ø5x70 2x</b>	<b>H</b>  <b>2x</b>	<b>I</b>  <b>2x</b>
<b>K</b>  <b>2x</b>	<b>L</b>  <b>28x</b>	

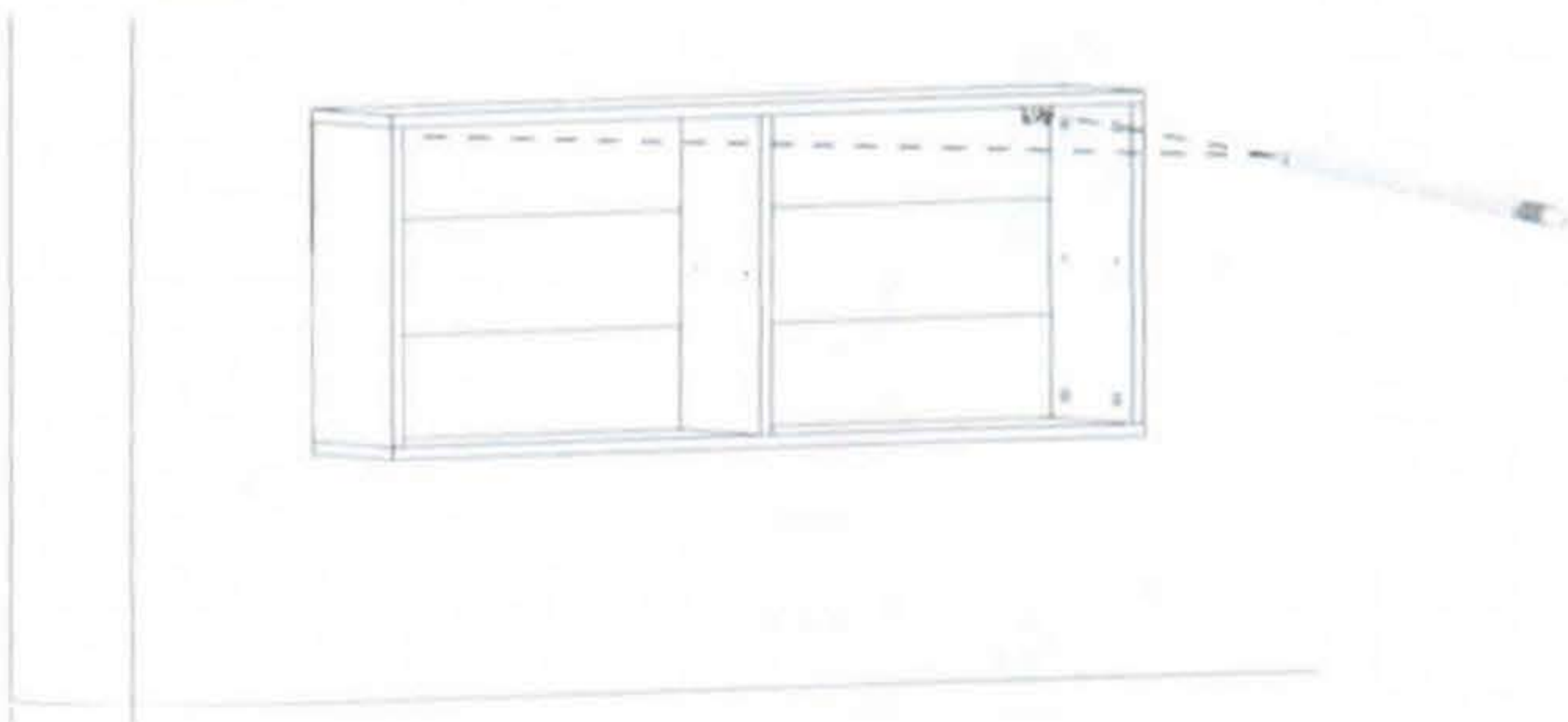
5



6



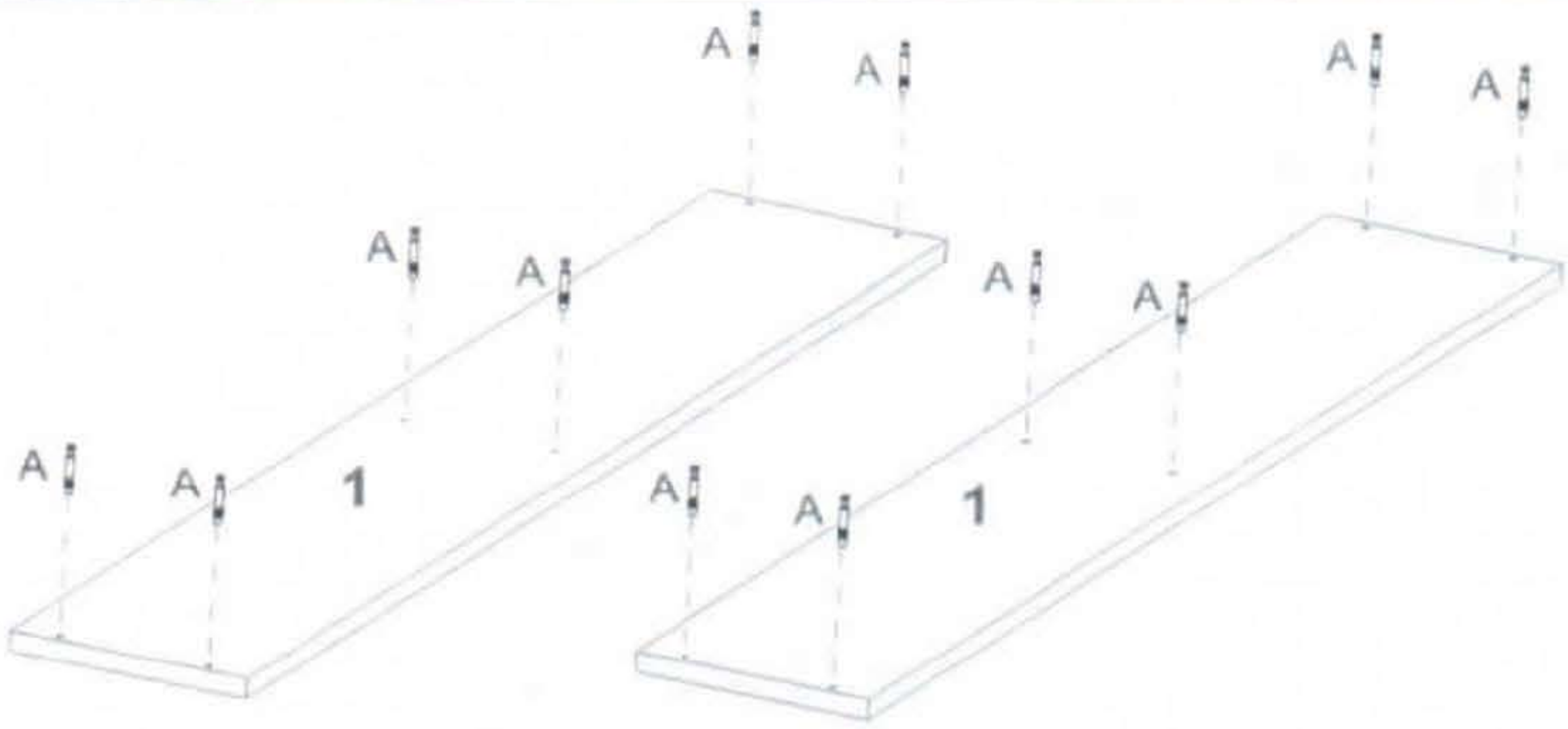
7



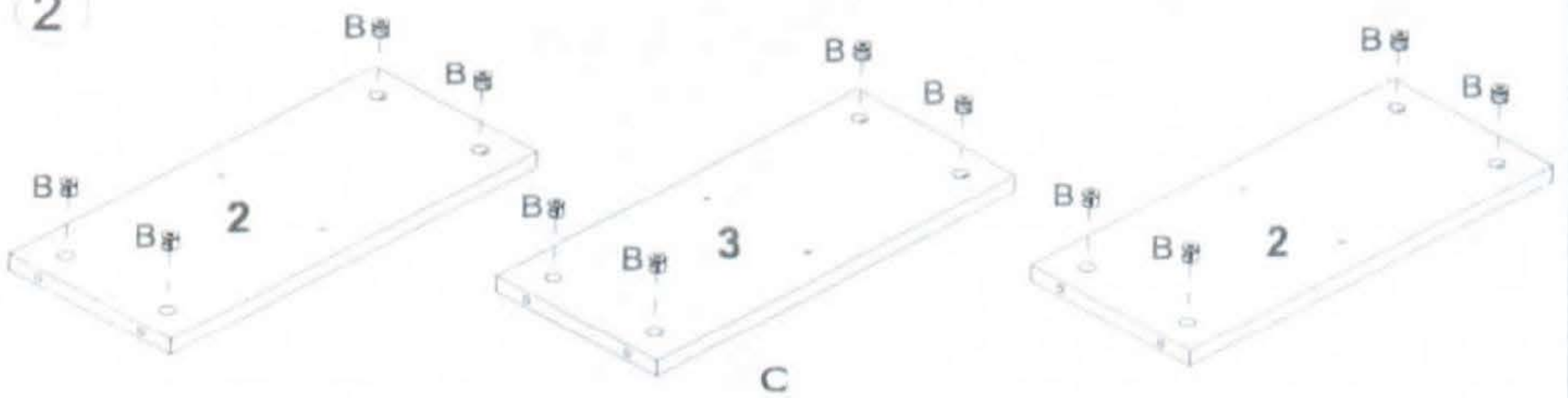
8



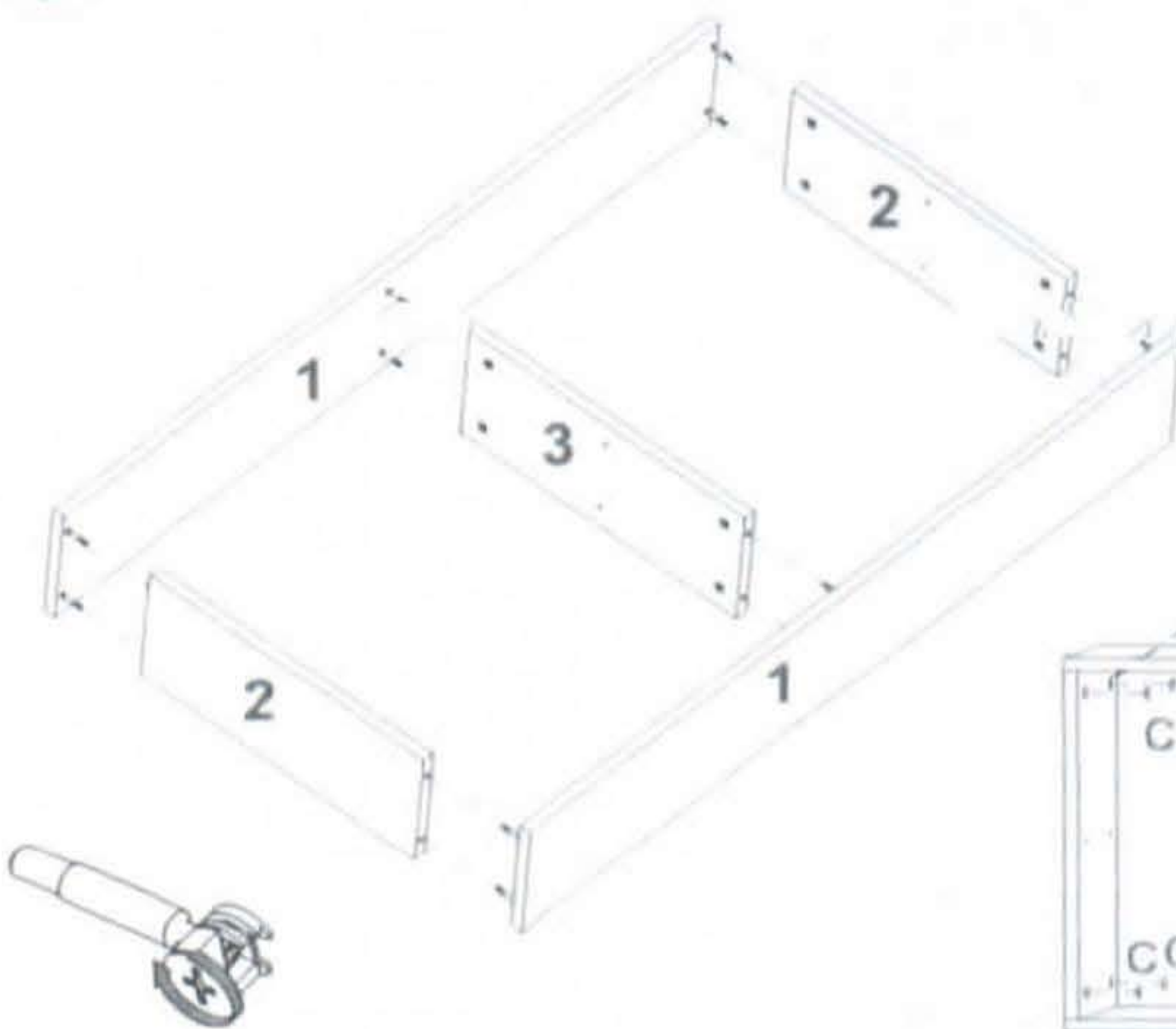
1



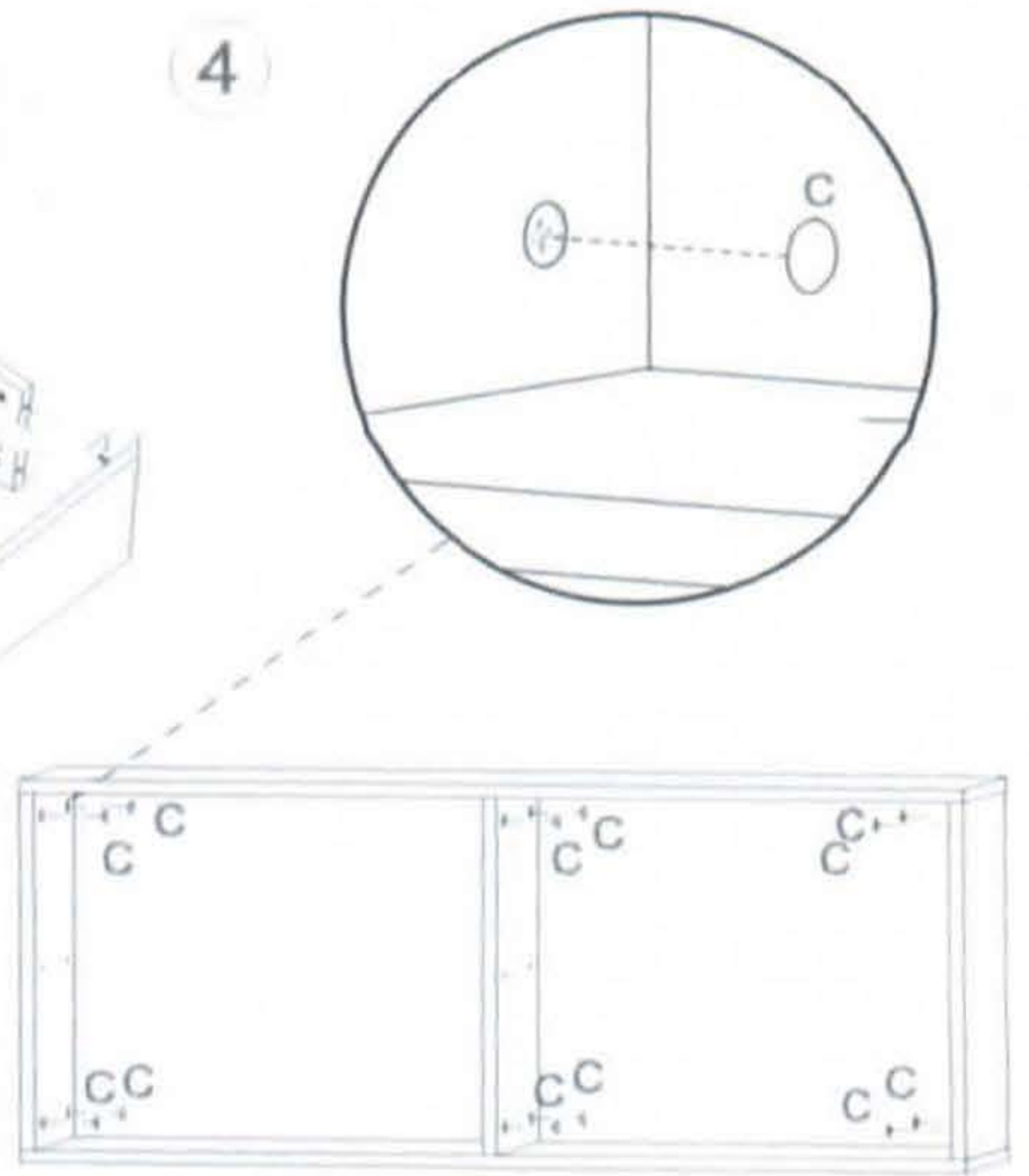
2



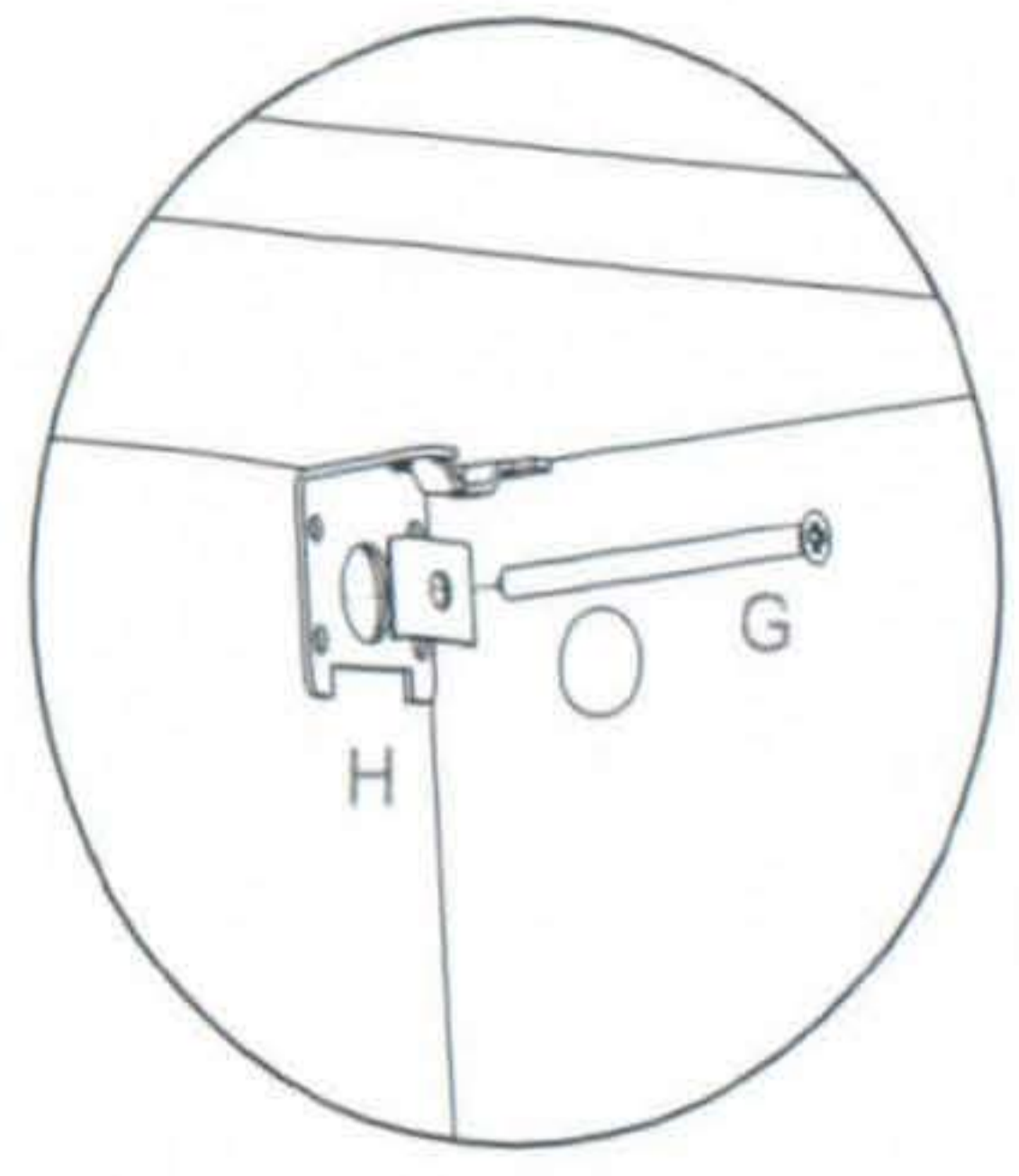
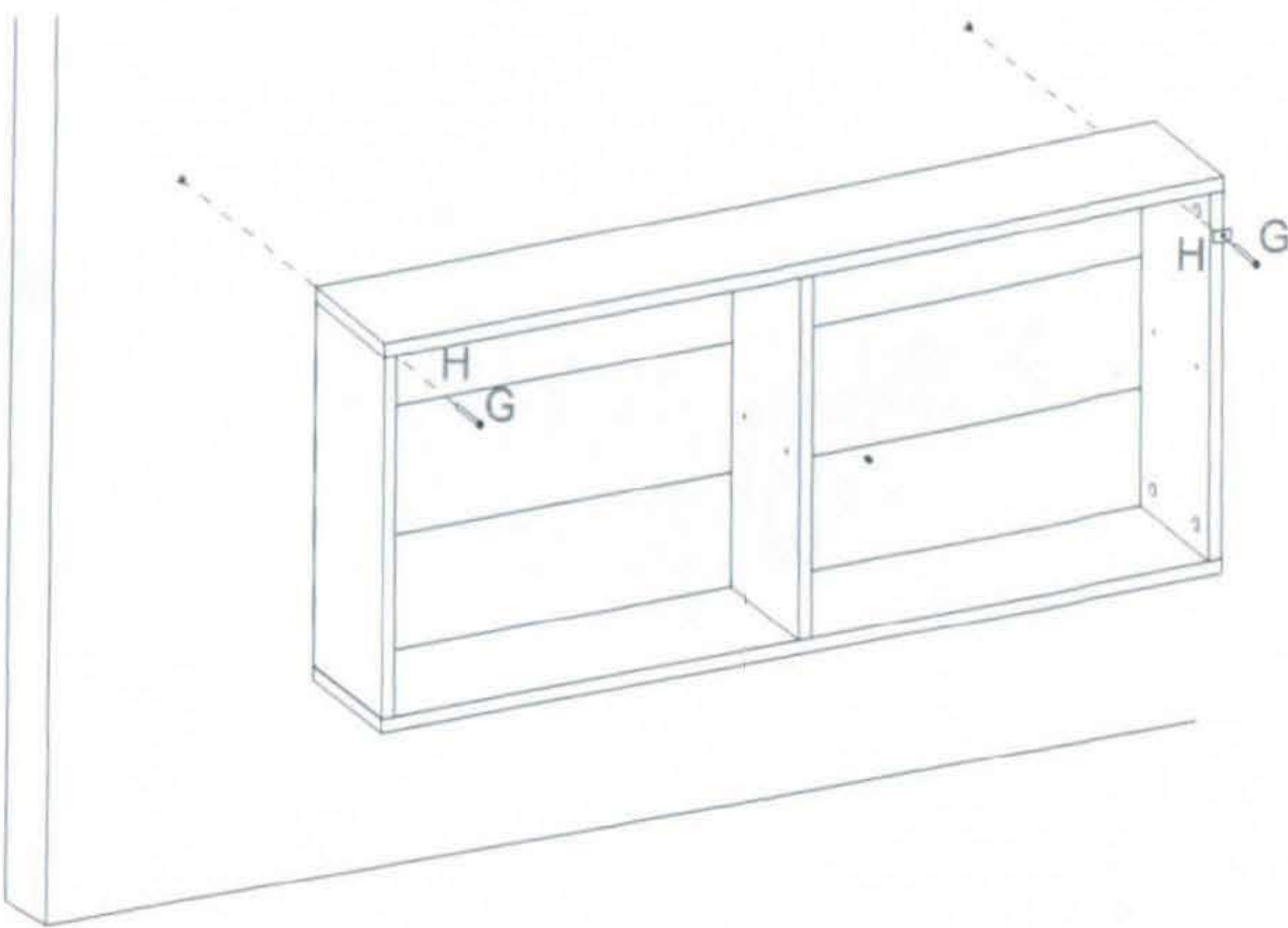
3



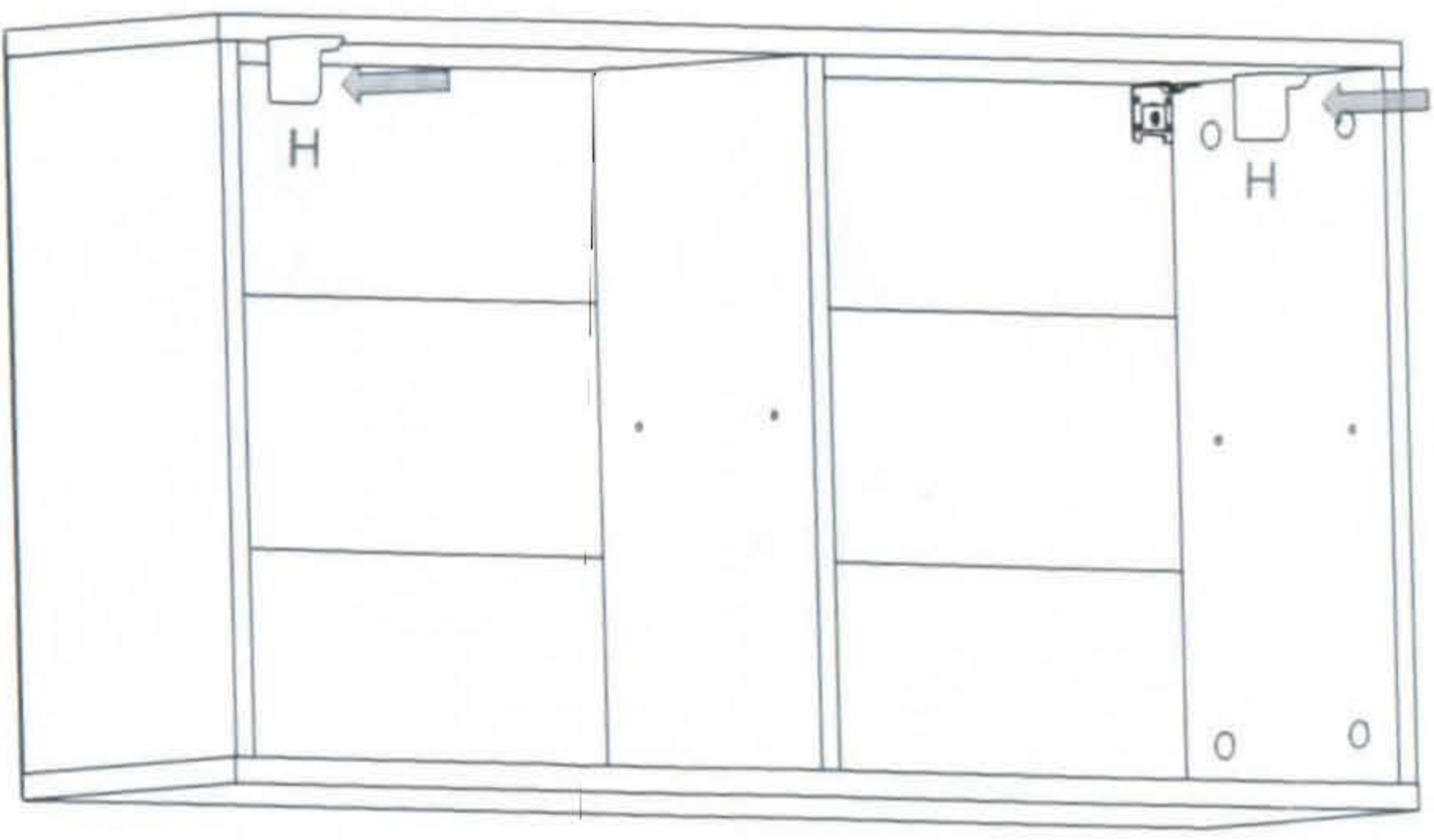
4



9

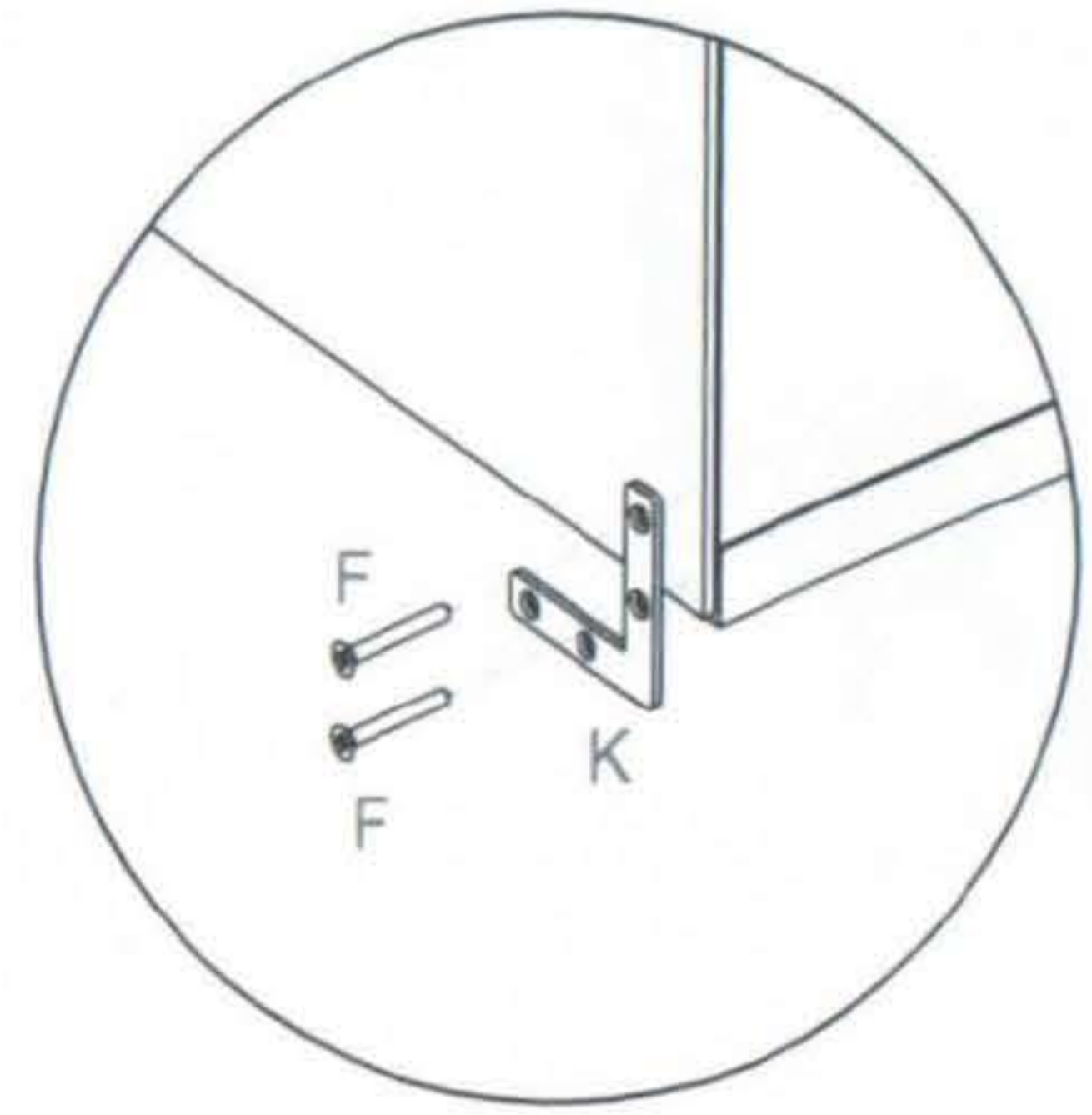
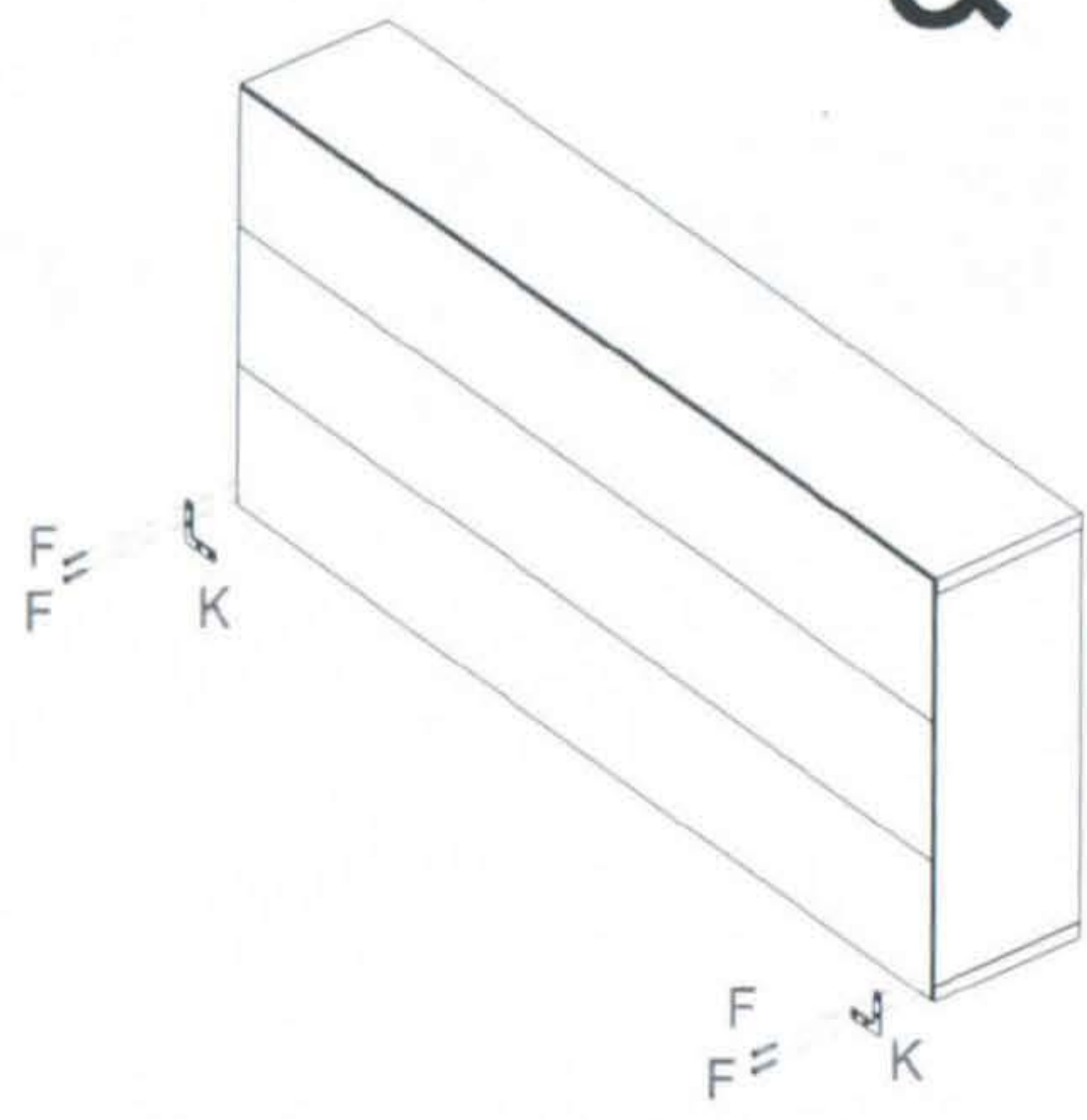


10

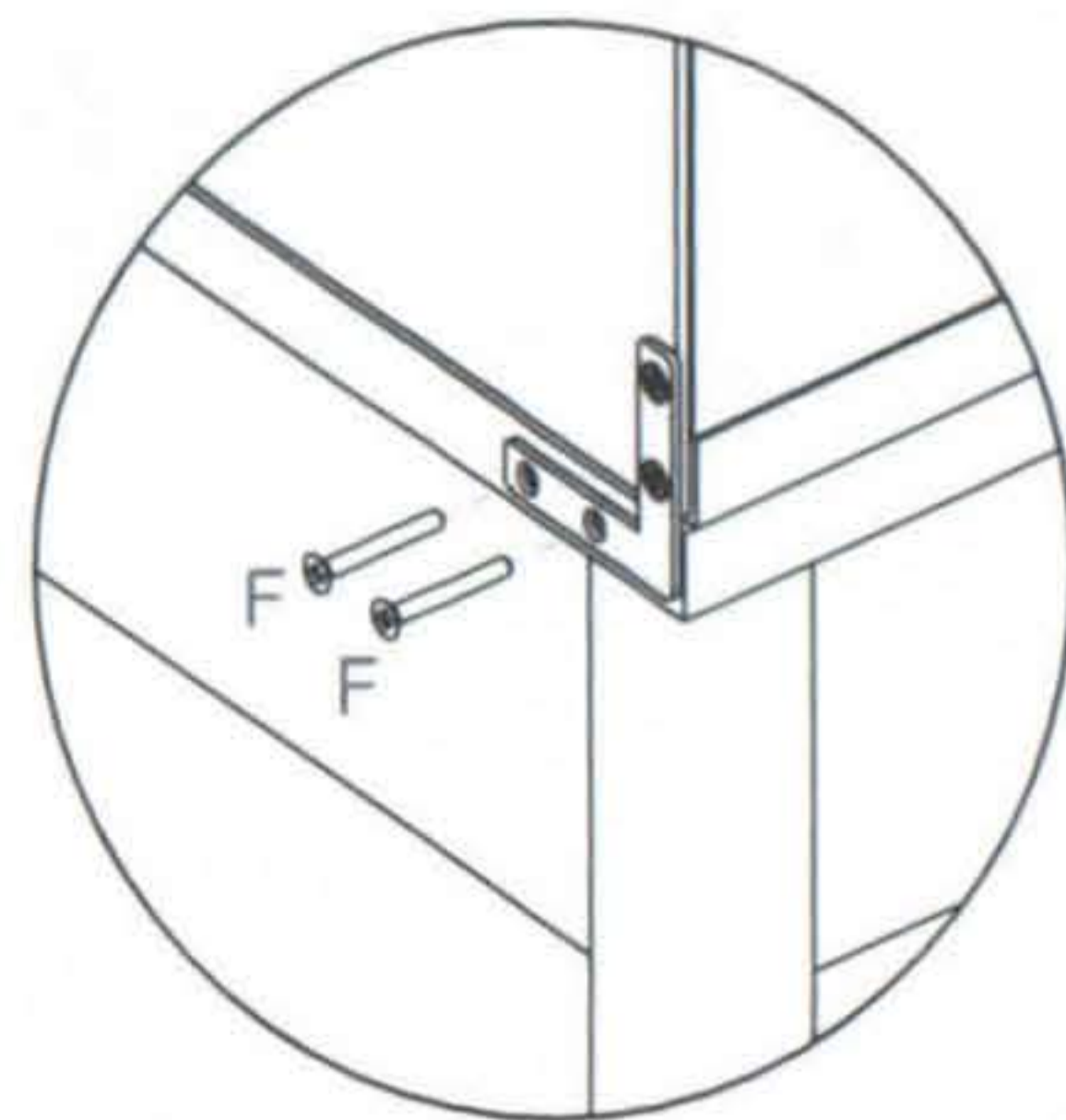
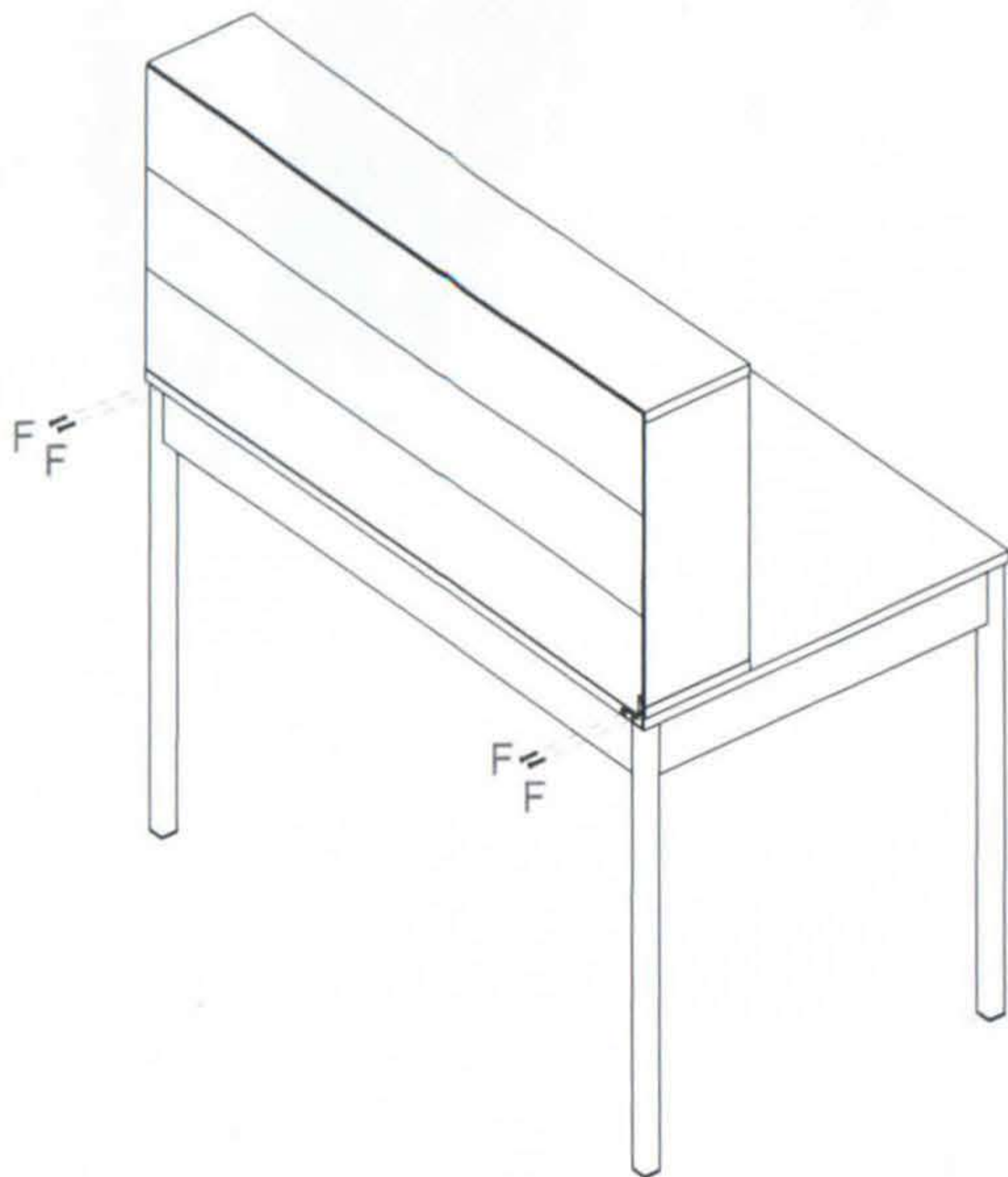


&

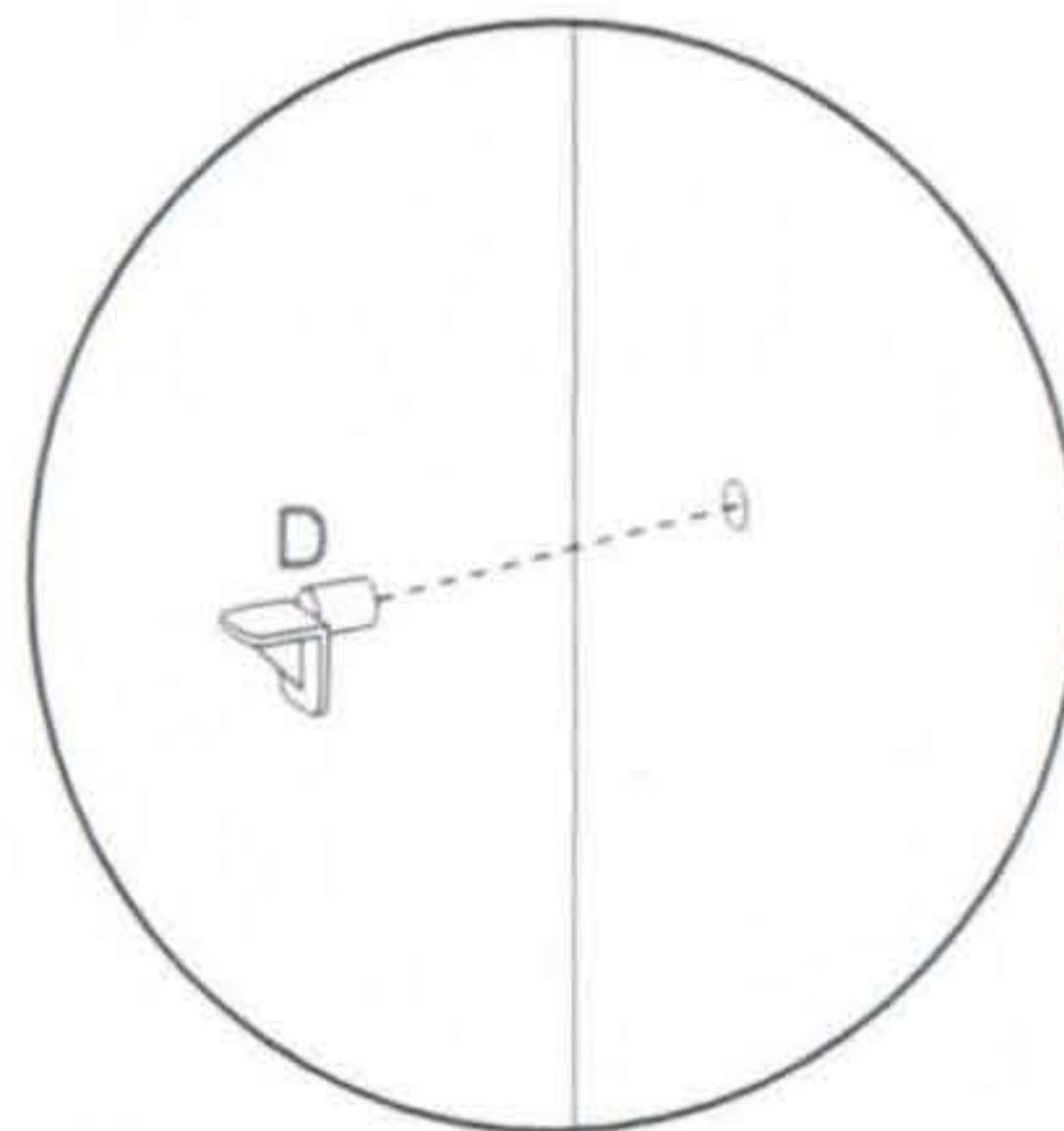
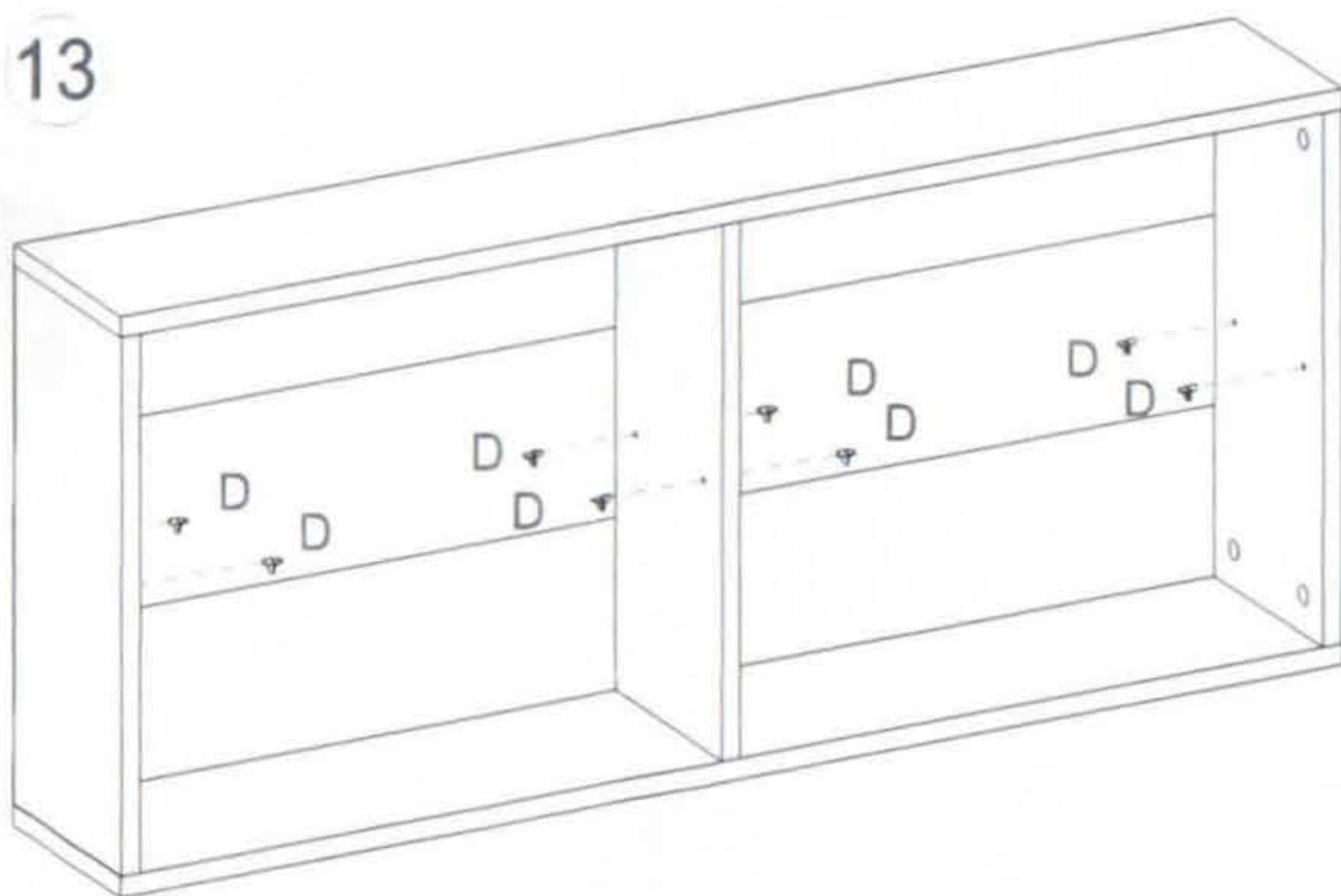
11



12



13



14

