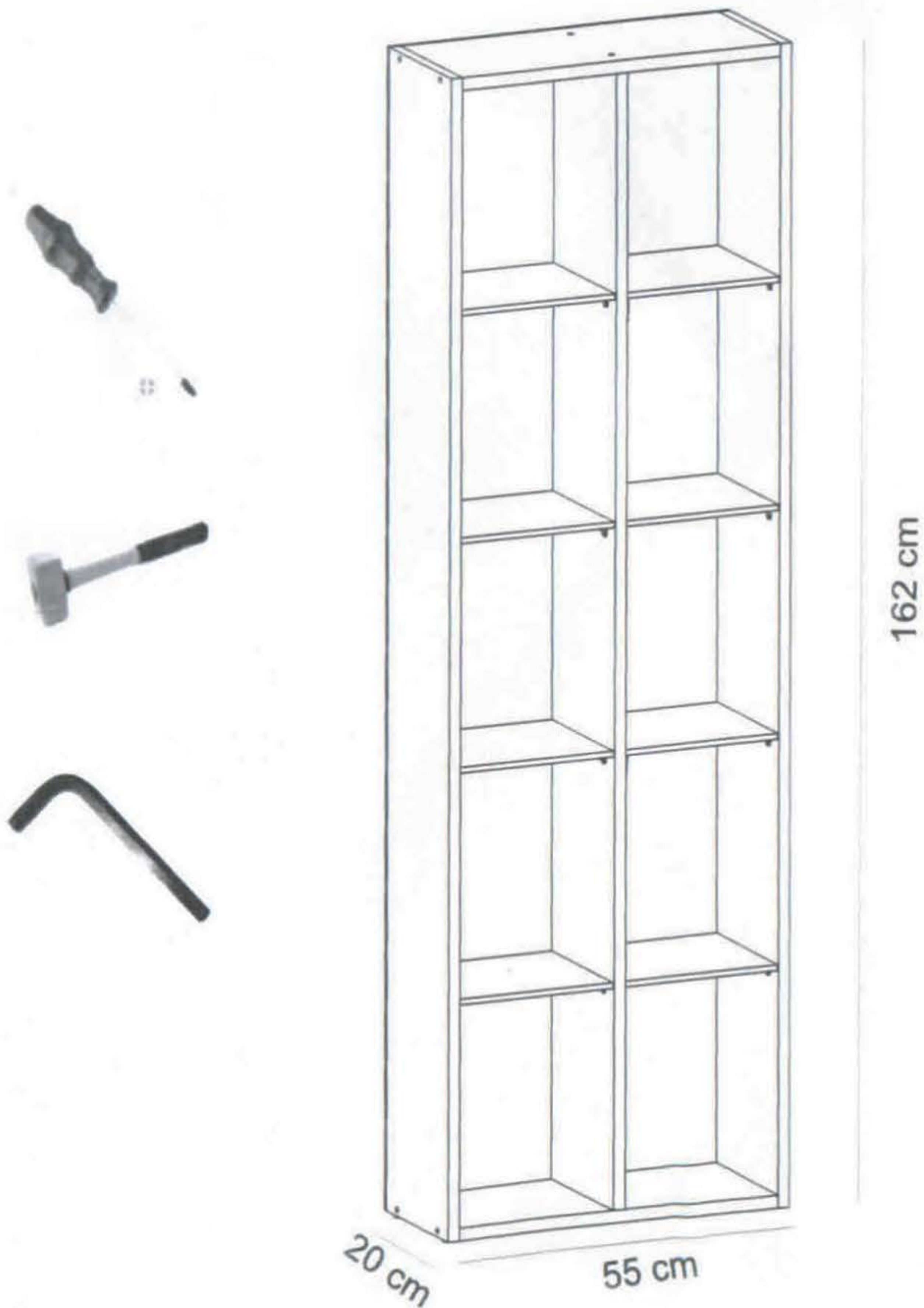


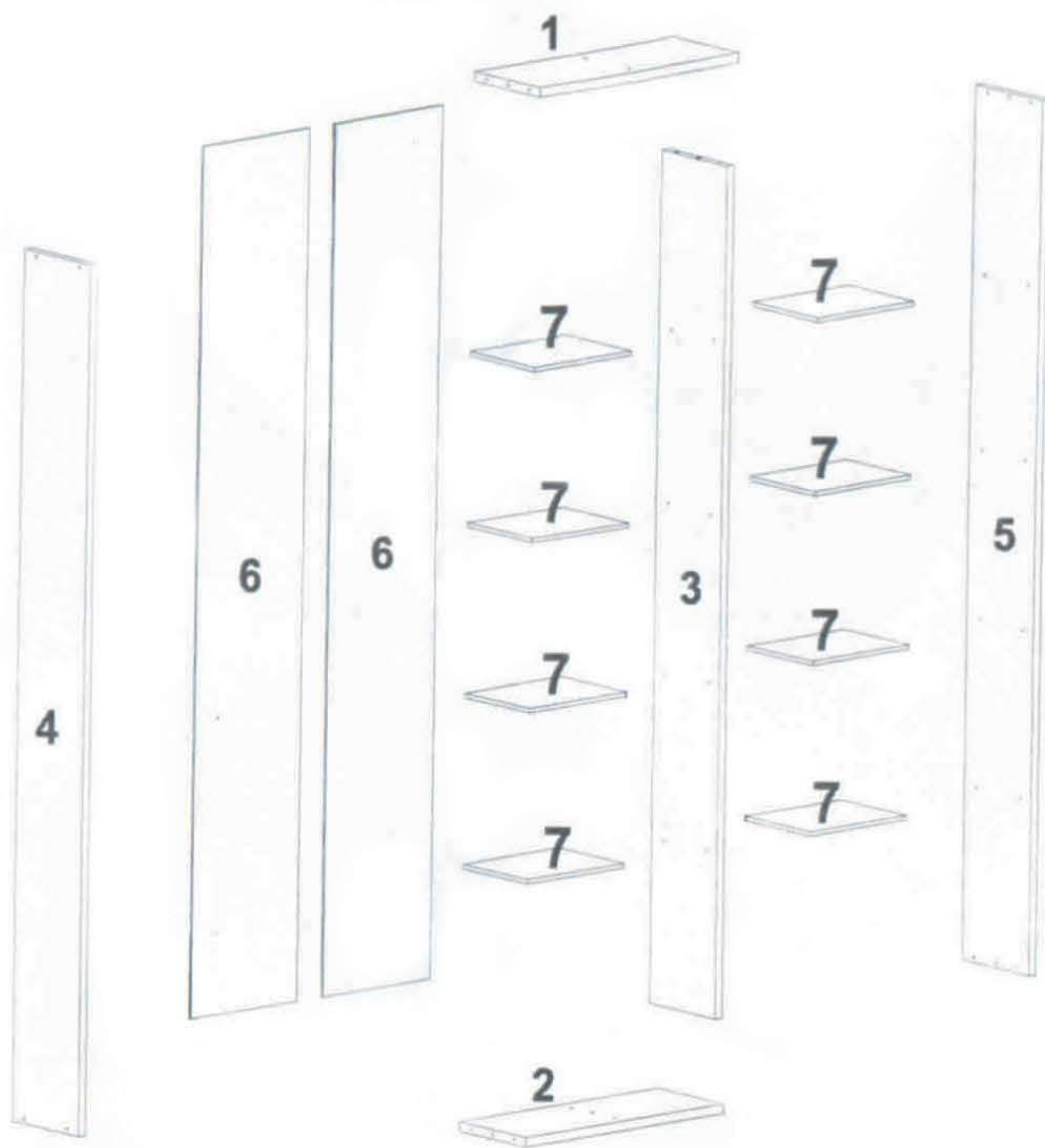
Assembly and User Manual

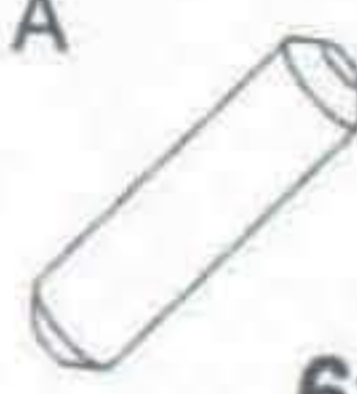








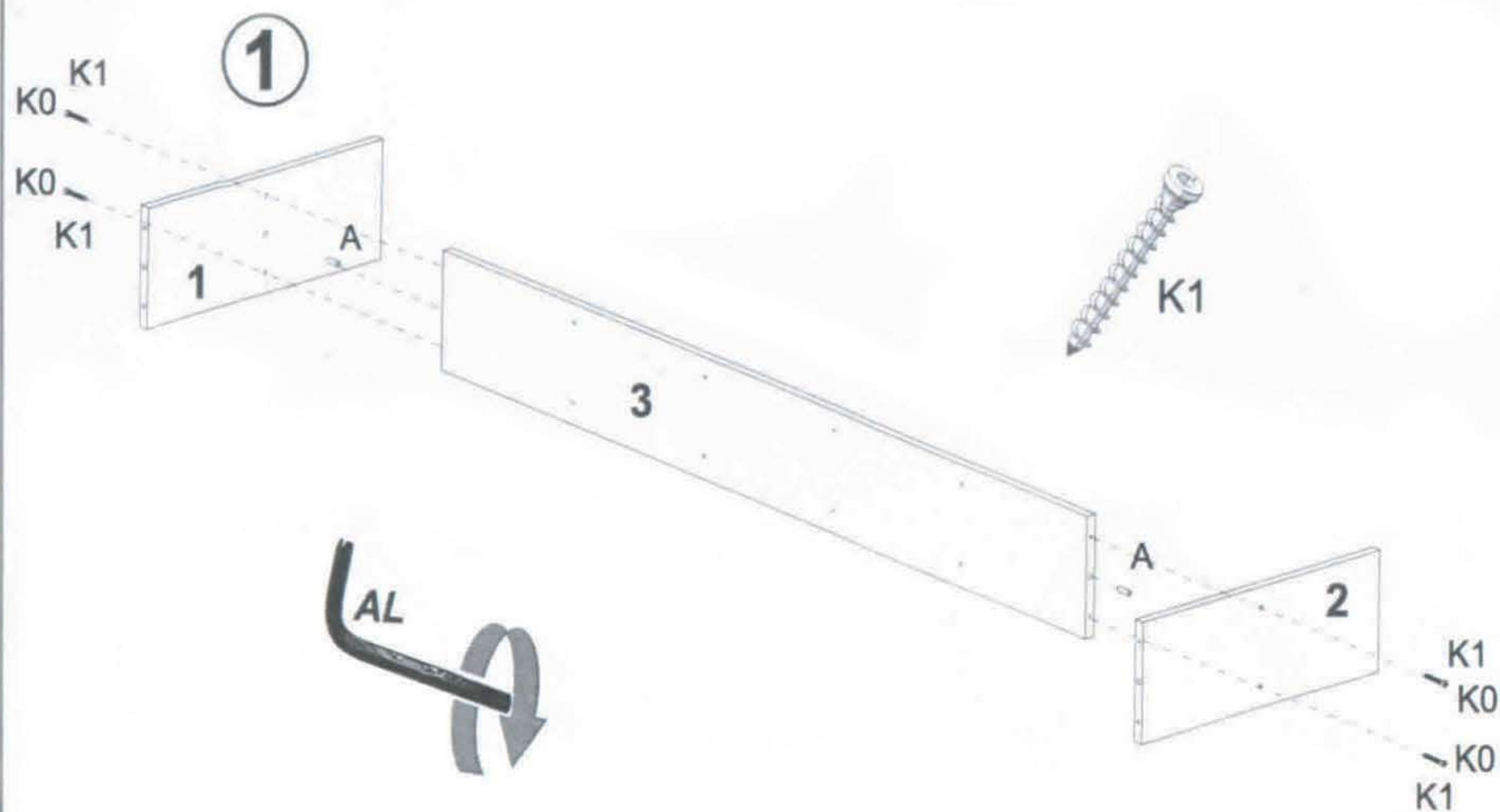
This module must be assembled by two persons.

10 Shelves Bookcase

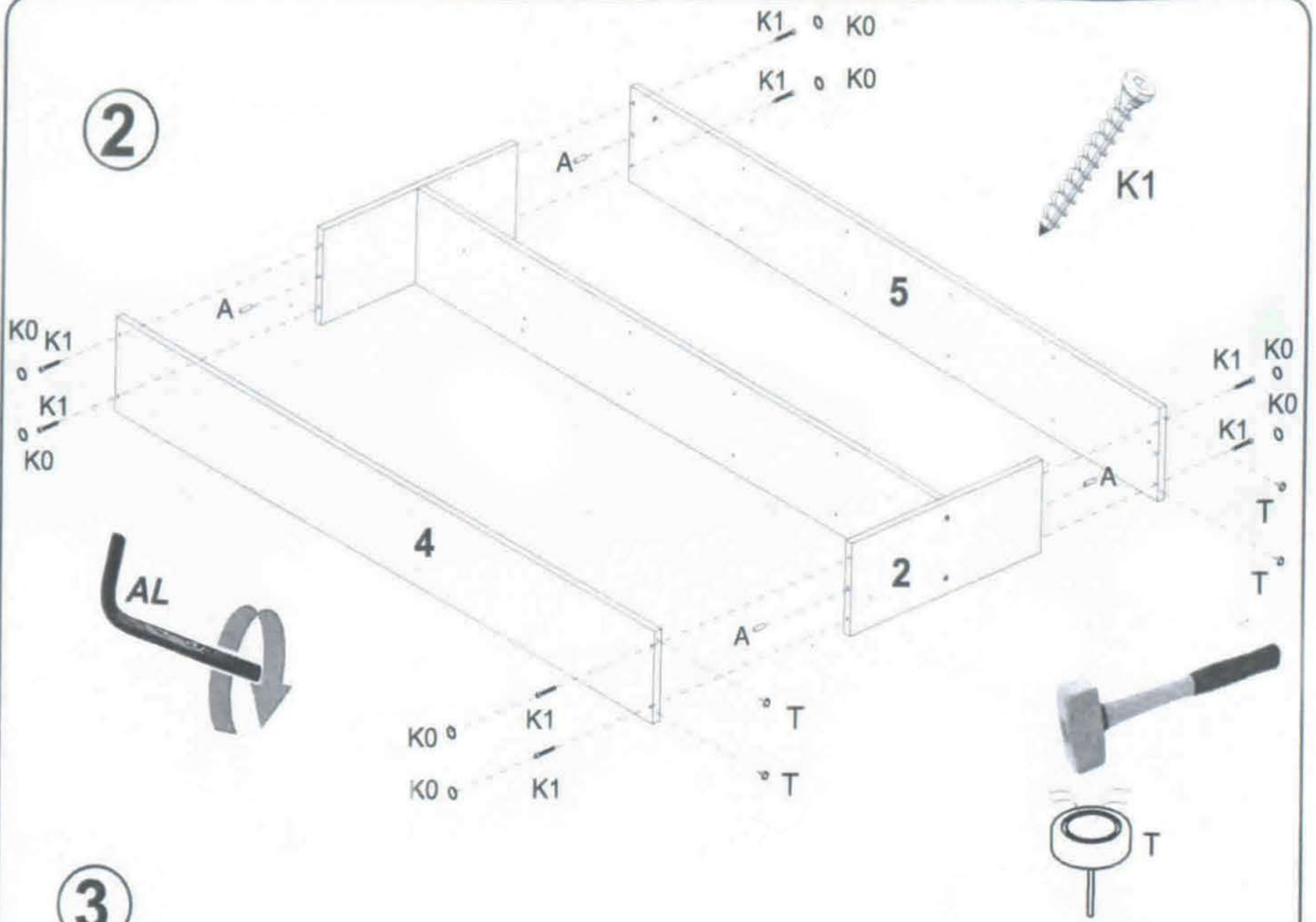




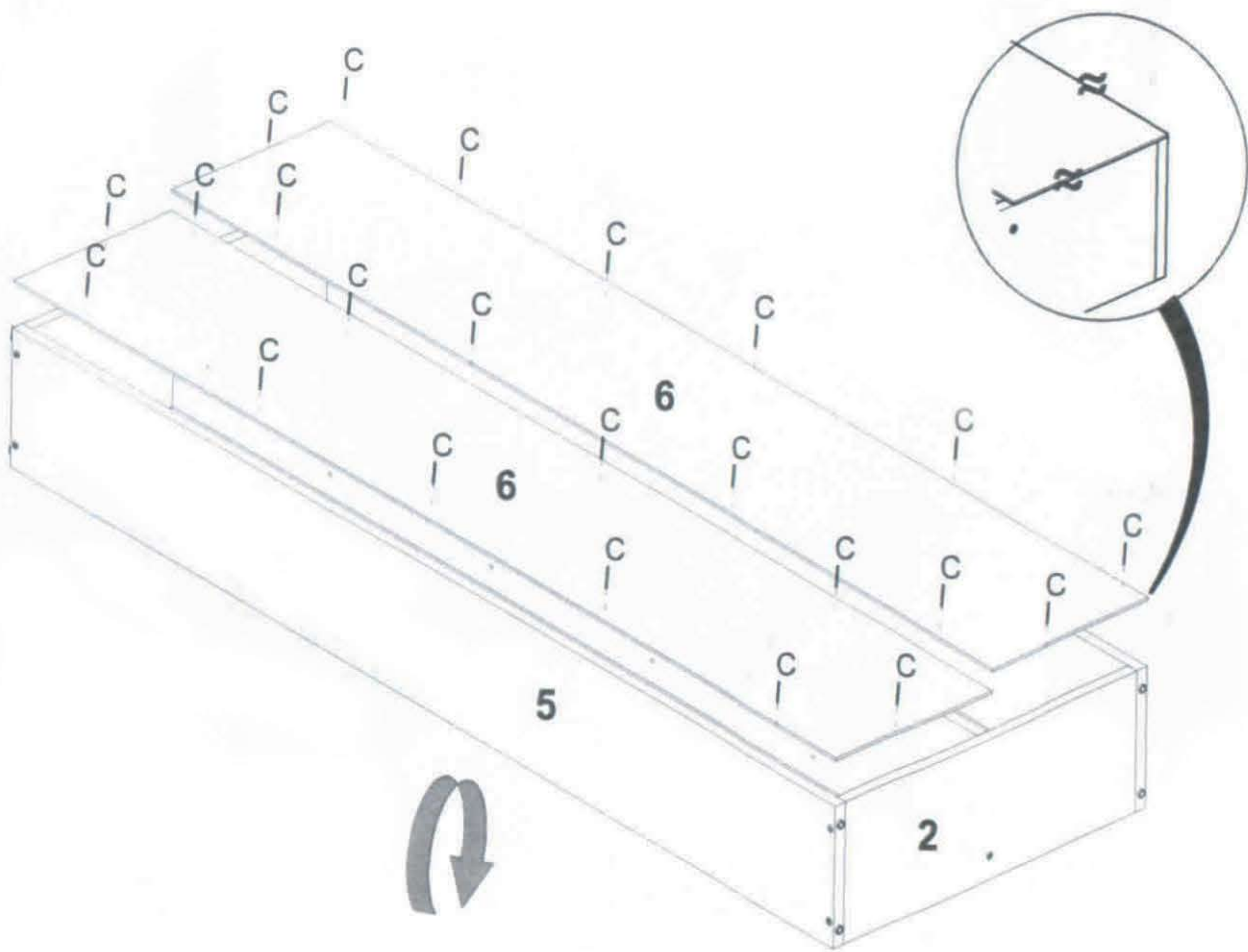
<p>A</p>  <p>6x</p>	<p>C</p>  <p>20~25x</p>	<p>R</p>  <p>32x</p>	<p>AL</p>  <p>1x</p>	<p>K1</p>  <p>12x</p>	<p>K0</p>  <p>12x</p>	<p>T</p>  <p>4x</p>
--	--	---	---	--	--	--



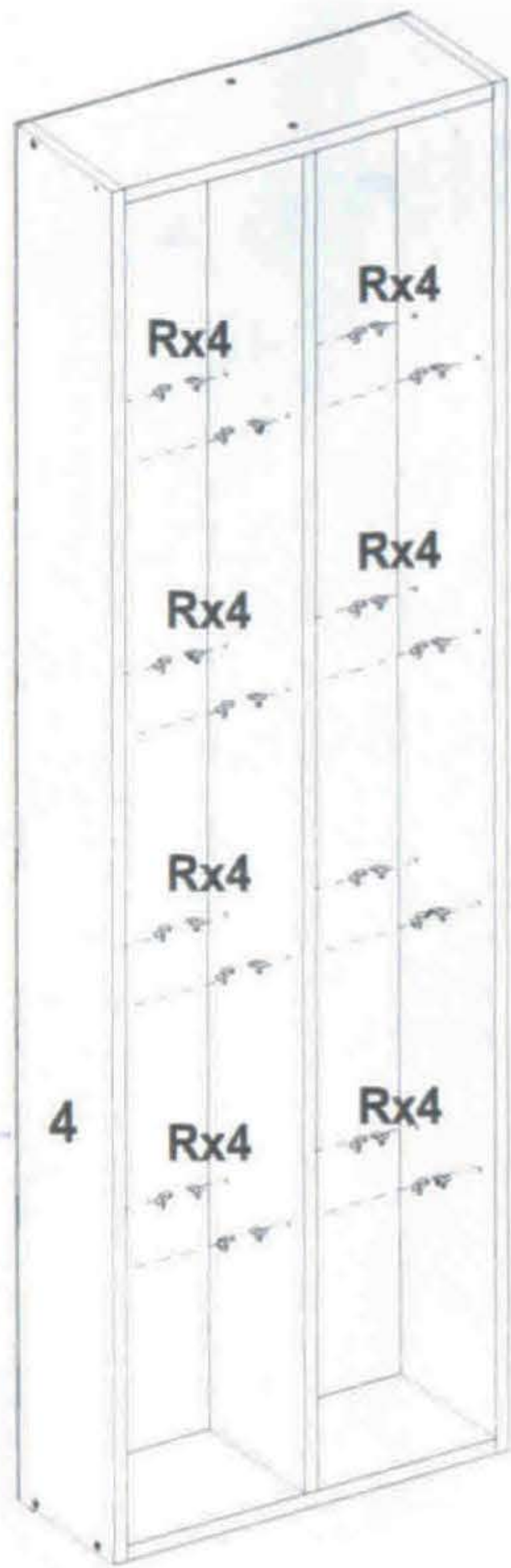
2



3



4



5

