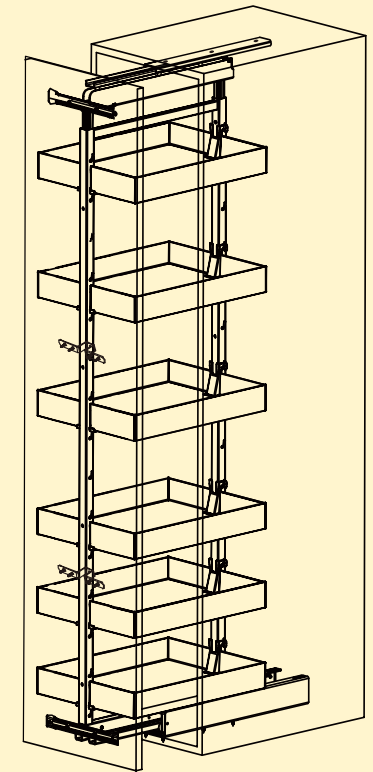


LS-XK-20220328



星空-高身拉篮使用说明书

Starry Series-Tall Cabinet Pull-out Pantry Instructions

ZBOM 志邦

志邦家居股份有限公司

地址:安徽省合肥市庐阳工业园连水路19号
电话/传真:0551-65203888 0551-65203999
Http://www.zbom.com

ZBOM 志邦

Warranty Card

Respected users:

First of all ,thank you for your choose "ZBOM " products, in order to make our service make you more satisfied, after the purchase, please read this manual carefully and keep the warranty card.

One:the warranty period of the company's products of hardware and functional parts is one year . please fill in the date when buy, buy site and affix one's seal, will be responsible for free maintenance warranty of products.**Second,**

Two:the warranty start date will be subject to product purchase date.

Three:please show this card when maintenance and product invoice.

Four: even during the warranty period, if one of the following situations happened, do not fall within the scope of free maintenance.

1. Due to not in accordance with the requirements of the instruction on the use of fault
2. Due to unreasonable installation of failure.
3. due to the fall, collision caused by the fault.
4. due to their own repair installation failure.

Five:please keep the warranty card, lost not be re-issued.

Six :or more than warranty period or not belong to the scope of free maintenance products,

Customer Name		Product Name			
Contact Information		Product Code	Label Bar Code Location		
Purchasing Date		Serial No.			
Invoice Num.		Production Code			
Detailed Address					
Fault Phenomenon	Result Of Handling	User Confirmaiton	Maintenance Man	Maintenance Date	

Franchisee' s Seal

前言

非常感谢您选购ZBOM志邦厨房收纳产品！

在使用之前，请您仔细阅读本使用说明书。

由于不遵守该使用及安装说明书中规定的注意事项，所引起的任何故障和损失均不在厂家的保修范围内，厂家亦不承担任何相关责任。请妥善保管好所有文件。

如有疑问，请与当地的ZBOM志邦厨电客户服务中心或经销商联系。

本公司为您提供免费安装调试服务。

Preface

Thanks for your choosing zbom cooking appliances.

Please read this specification carefully before you use the product.

Any failure and losses caused by ignoring the below mentioned items and cautions mentioned in the operation and installation instruction are not covered by our warranty and any liability. Please keep all documents in a safety place for future reference.

If you have any doubt, please contact our local service center or dealer.

We will afford service for free installing and debugging.

Five:the common faults and processing methods

No.	Common Problem	Reason Analysis	Handling Method
1	The pull is not smooth	Guide rail spring is damaged. Guide rail lubricating oil is dry. Guide rail deformed and is damaged. Guide rail is filled with foreign matter.	Replace guide rail spring. Add lubricating oil. Replace guide rail. Clean up foreign matter.
2	The door is not tightly closed or can't be closed	Door panel deformed. Pulling basket deformed. Bearing capacity is overweight. The screw that used to fix the door panel is loose.	Replace door panel. Replace pulling basket. Put in suitable items according to the load-bearing capacity of basket Fix the screw tightly.
3	The frame surface of pulling basket is stained and smelly	Long-term non clean up	Clean up timely basket timely

CONTENT

1:Accessories List.....Page 1
 2:Installation Instruction.....Page 2
 3:Precautions For UsePage 6
 4:Daily MaintenancePage 6
 5:Common Fault and Handling Method.....Page 7
 6:Maintenance Regulations.....Page 7

Six:Instruction Of Maintenance Rules

According to the law of the People's Republic of China << regulation of the responsibility of partial commodity that is replaced ,returned,repaired >>
 The product from the date of purchase is one year warranty.

- 1, When consumers enjoy warranty, must have a valid product purchase invoice and relevant voucher that manufacturer specified.
 Users should properly keep warranty card and purchase invoice.
2. When users lost purchase invoice , it should be calculated valid warranty date according to the production date;
3. The ownership of the part that be replaced belongs to the company ;
4. According to the national regulation,if develop any of the following,all does not belong to the company warranty scope, it should be charged for the maintenance:
 - (1). The damage of disassembly causing by the people who is not an employee of the company ;
 - (2). Manipulate not in accordance with the matters needing attention from instruction book ;
 - (3). Due to force majeure (such as fire, earthquake, flood, lightning, natural disasters) caused malfunction and damage;
 - (4). Self-repair or non-maintenance disassembly;
 - (5). Products exceed the free warranty period ;

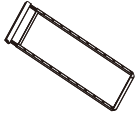
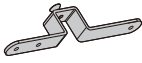






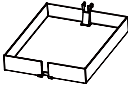

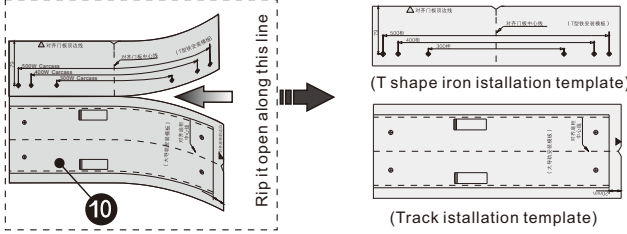
Important Imformaitions

- 1: all packaging materials are environmentally friendly recyclable. Please handle corrcetly according to the environmental protection way.
- 2: Do not let children play plastic membrane and packaging in order to avoid suffocation accidents.
- 3: Check whether the products and accessories are all complete one by one after unpacking.

Warning:

ZBOM HOME COLLECTION CO., LTD reserves the final interpretation right to the use of product and all contents in the installation instructions .If there are any changes without prior notice, please.

ONE、 Packing List

① Main Frame	② Bridge Shape Iron	③ T Shape Iron	④ Upper Track	⑤ Large Track	⑥ ST3.5*20
1PCS	2PCS	2PCS	1PCS	1PCS	8PCS
					
⑦ ST4.0*16 Screw with flat circle head shape	⑧ Hexagon screw with flat circle head shape	⑨ Hanging Basket	⑩ Installation Template		
22/28/32PCS	2PCS	6PCS	1PCS		
					
<p>NOTE: 1:Read installation instruction carefully before installing; as shown in right figure, select suitable dimension cabinet according to the product model.</p> 					

TWO、 Istallation Instuction

Note: to avoid an accident, when installation, must operate in accordance with the requirements of specification:

1: before installation, please read carefully the installation instructions, this product applies to 16mm or 18 mm thickness carcass .Depth of cabinet(including door panel) = 580 mm, height of cabinet :2000-2300mm scope ;

2:In order to ensure the installation quality of pulling basket and use of performance, ensure that the track of pulling basket is installed within the standard cabinet,otherwise it is not smooth when pulling out, space inside the cabinet is unreasonable, the adjustment of door panel becomes difficult .

3: To ensure the installation successfully, please use the accessories within the packaging, otherwise it is easy to cause installation errors;

THREE、 Precautions For Use

1:This product can not store strong acid, alkali food for a long time, these food contain many electrolyte,long-term storage in product will make the product surface of metallic elements such as chromium and nickel be dissolved;

2:When clean the product ,do not use strong alkaline or strong oxidizing chemicals, such as soda, bleaching powder, sodium hypochlorite washing;

3: If there are soy sauce, vinegar, salt and other dropped on products in the process of using , please timely cleaning, with a soft cloth to wipe;

4: In the process of using ,do not use sharp or hard things to bump against the surface of the product, it is so easy to scratch the surface of the product;

5: In the process of pulling out the basket, try to avoid liquid and small particles from entering the track, maintain smooth degree of track, when storing items ,it shall not exceed the bearing capacity of products, prevent deformation of products;

FOUR、 Daily Maintenance

1: Keep the interior of the product clean ,if the product comes with drain board, please clean it periodically .

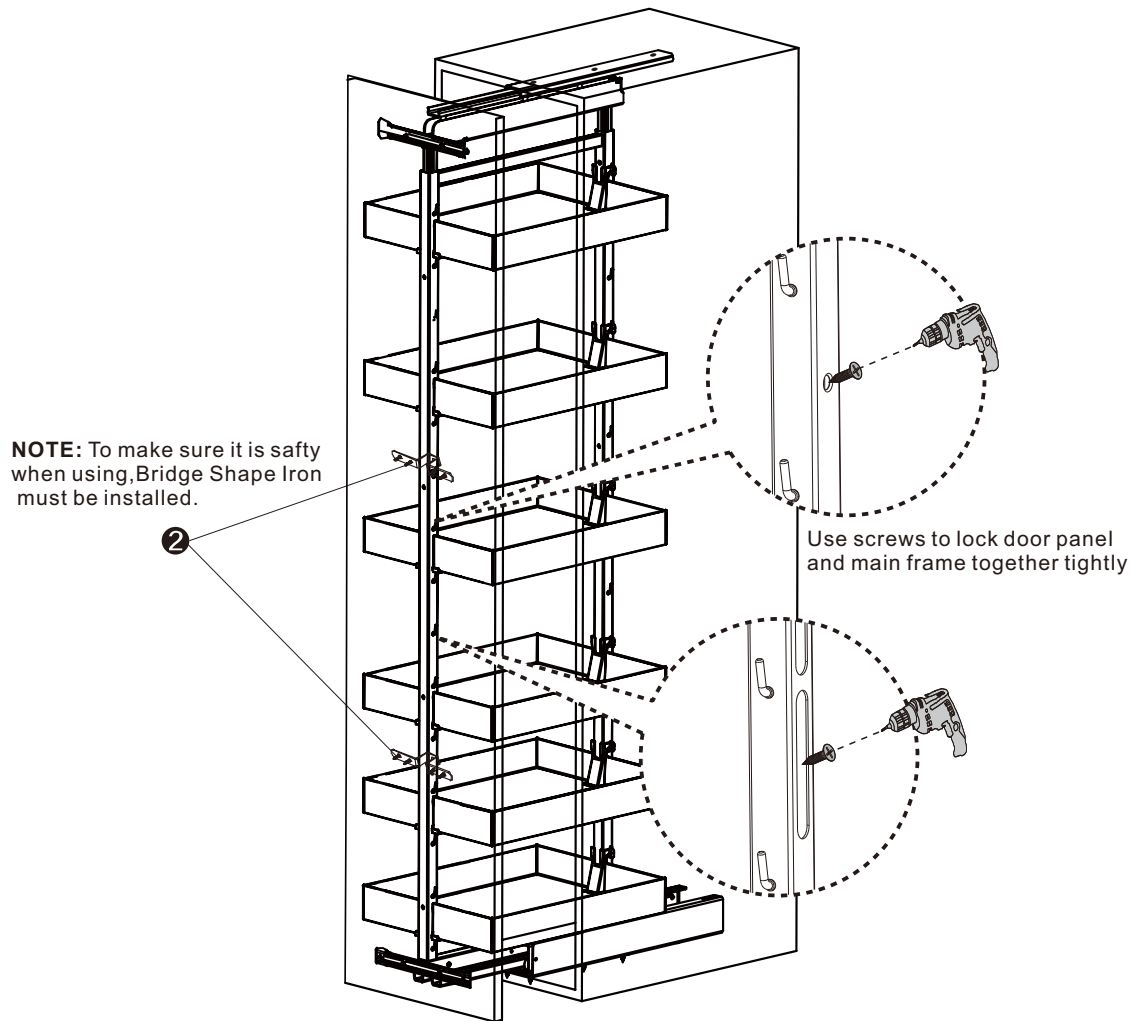
2:Prevent liquid from entering into the track, maintain the normal work and service life of track.

3:Avoid contact with strong alkali, strong acid, such as soy sauce, salt sprinkled on the product, please clear in time.

Installation Step Six:

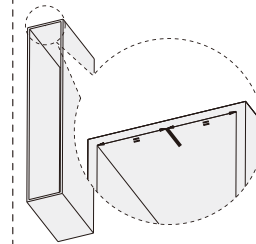
6.1: Ensure the installation position of bridge shape iron "2", according to the actual height of door panel and configuration quantity, even distribution as much as possible.

6.2: Installing hanging baskets, finishing installation.

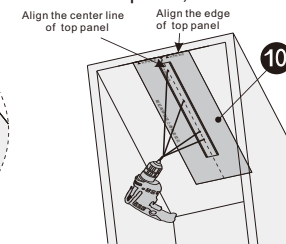


Installation Step One:

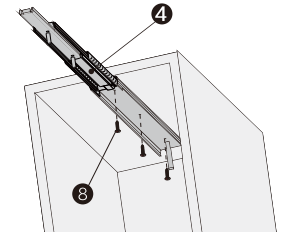
1.1 Draw the center line on the top panel;



1.2 Drill 3 preliminary holes which diameter is 2.5mm on the top panel according to the template;

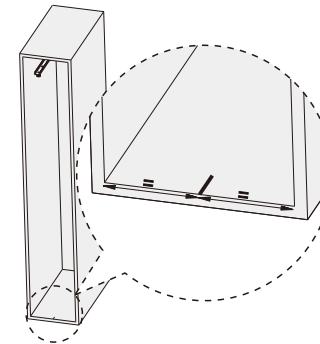


1.3 Fix the upper track tightly with 3 screws.

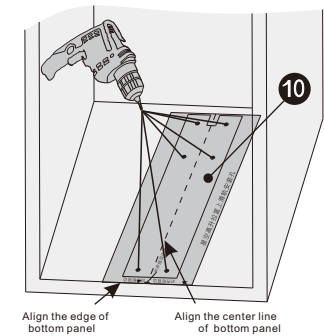


Installation Step Two:

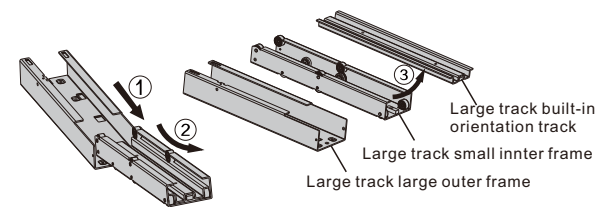
2.1 Draw the center line on the bottom panel;



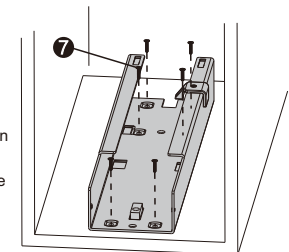
2.2 Drill 6 preliminary holes which diameter is 2.5mm on the bottom panel according to the template.



- 2.3
- ① Move the track to the end;
 - ② Remove the moving parts;
 - ③ Detach it into three parts.

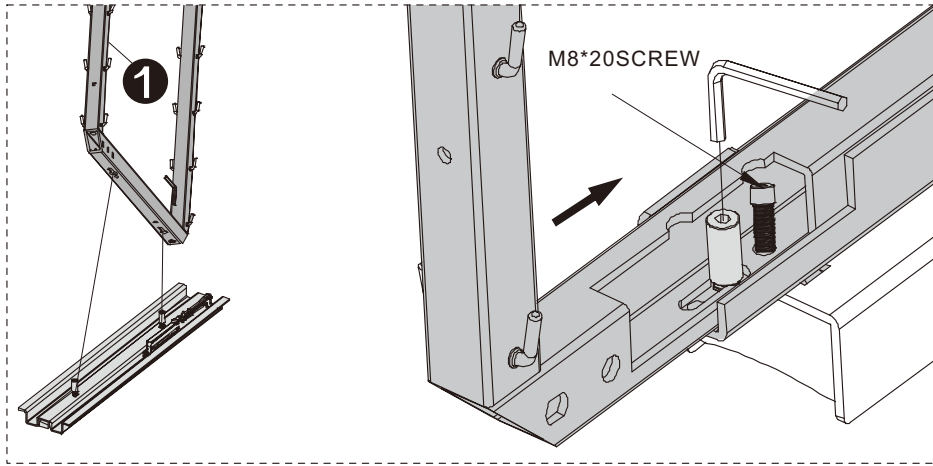


2.4 Fix the large track outer frame on the bottom panel with 6 screws;

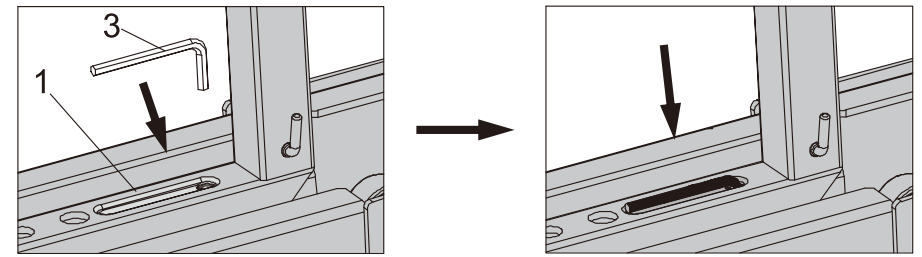


Installation Step Three:

3.1 The relationship of hole positions is as shown in figure ,put the main frame of basket into the built-in orientation track;push the main frame backward and ensure it is locked tightly by the built-in orientation track.



Put the regulating bolt into the rear hole of the main frame.

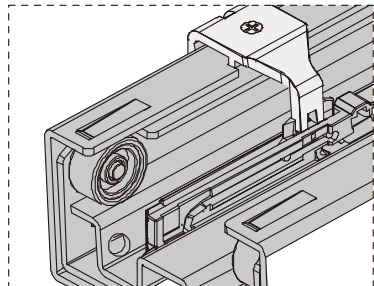


3.2 Installation large track small inner frame and main frame of basket.

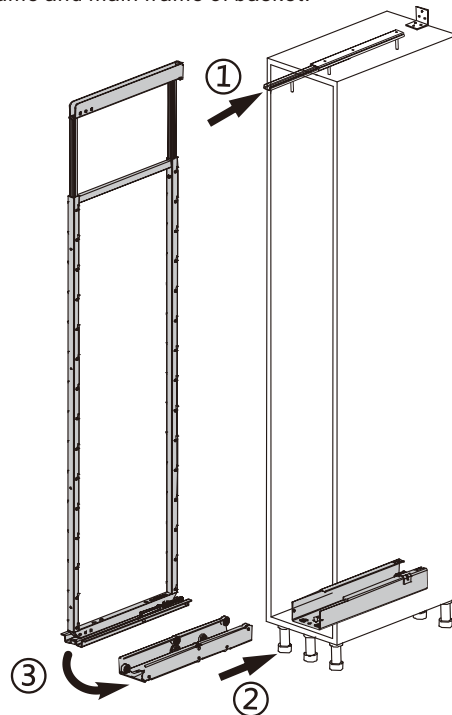
- ① Push into the upper track;
- ② Push large track small inner frame into large track big outer frame;
- ③ Push main frame into large track small inner frame.

NOTE:

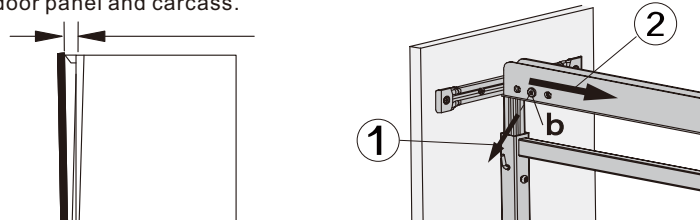
Before installing track, please clean up the the lower track, so as to pull out and push into smoothly.



After installing track, try to pull and push for several time to ensure that the rebound divice and rebound stopper match well.



Existing gap between the upper door panel and carcass.

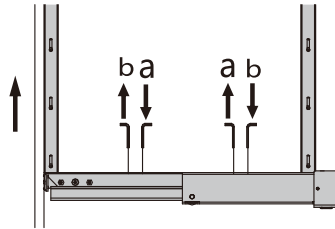


①

②

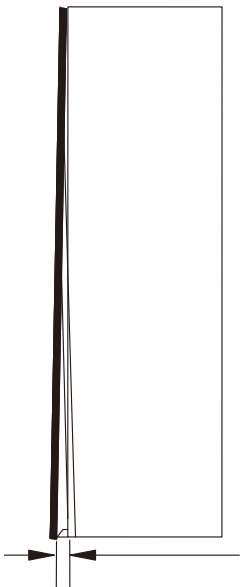
① Loosen screw B

② Push door panel to the direction of main frame



If there is still gap, you can tighten screw a or loosen screw b to adjust.

Existing gap between the lower door panel and carcass.

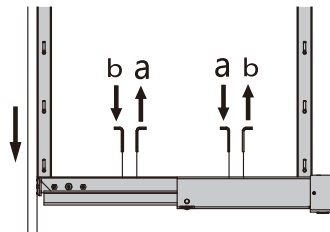


①

②

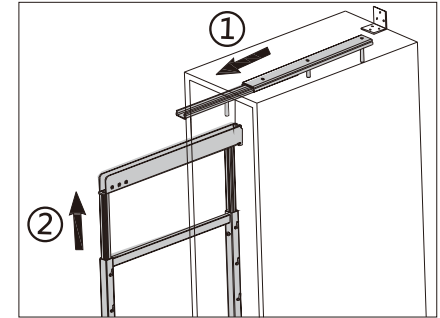
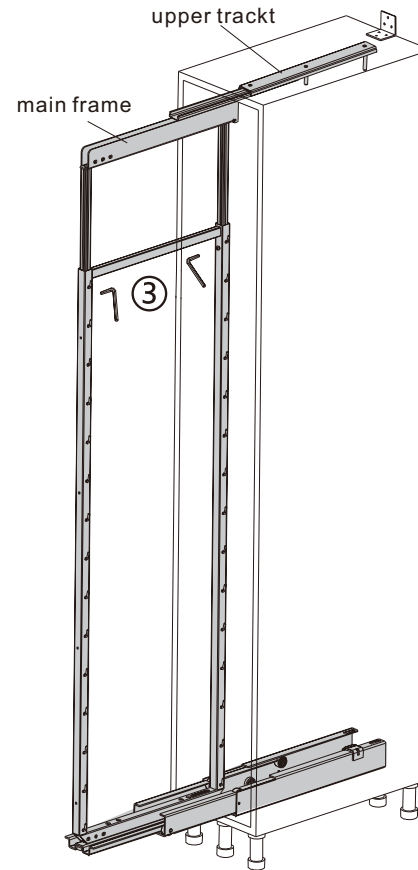
① Loosen screw B

② Push door panel to the direction of main frame

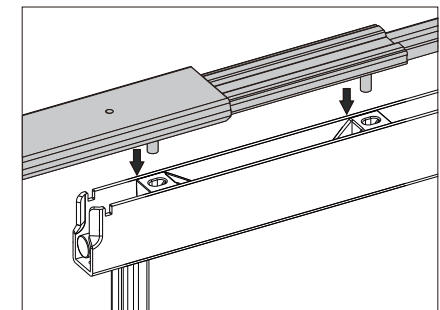


If there is still gap, you can tighten screw a or loosen screw b to adjust.

3.3 Push the main frame into the upper track.



- ① Please pull upper slideable track out completely;
- ② Please adjust the height of main frame to ensure the pulley of upper slideable track is built in U shape slot of the main frame, push and pull smoothly;
- ③ Use regulating bolt to lock the frame tightly, so it can't move.

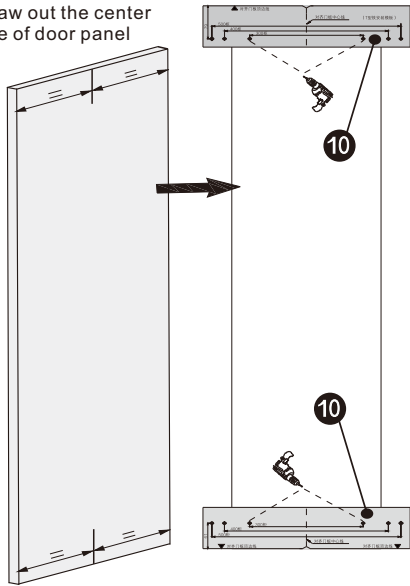


After installation, pull and push the frame for several times to ensure that the gas spring collides with pushrod.

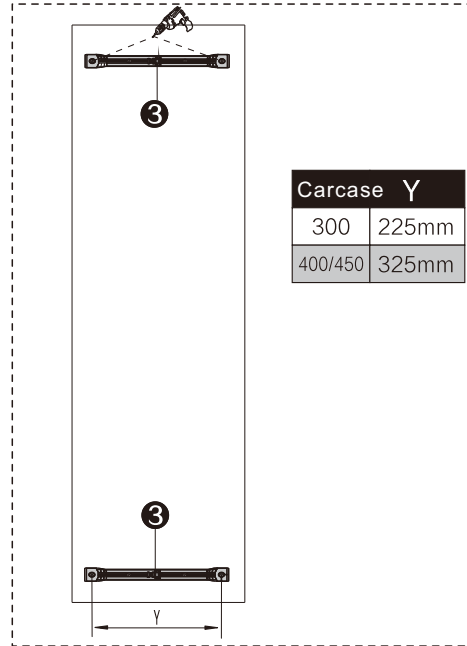
Installation Step Four:

4.1 According to the specification of the product that you order, select relative hole position and drill diameter 2.5mm holes respectively on upper and lower of the door panel.

Draw out the center line of door panel

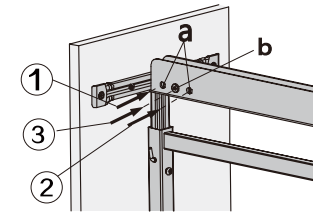
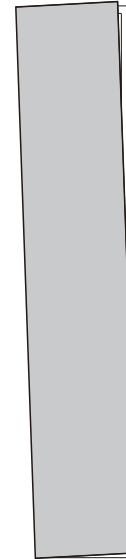


4.2 As shown in figure, fix with electric hand drill and screws ③

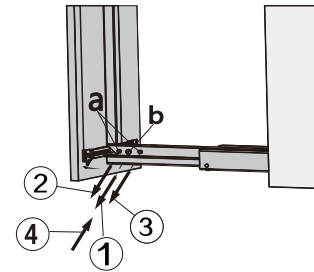


Installation Step Five:

Door panel tilts to left

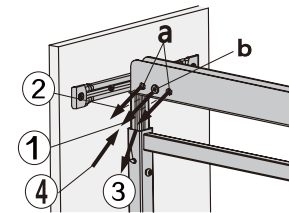
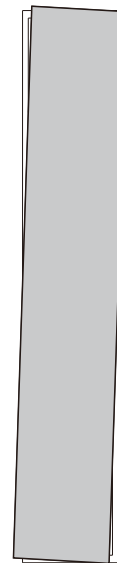


- ① Tighten screw a
- ② Tighten screw a
- ③ Lock screw b tightly

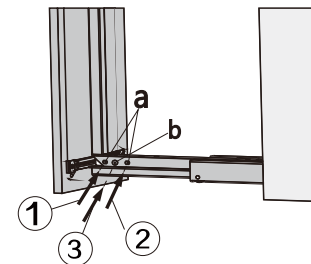


- ① Loosen screw b
- ② Loosen screw a
- ③ Loosen screw a
- ④ Lock screw b tightly

Door panel tilts to right

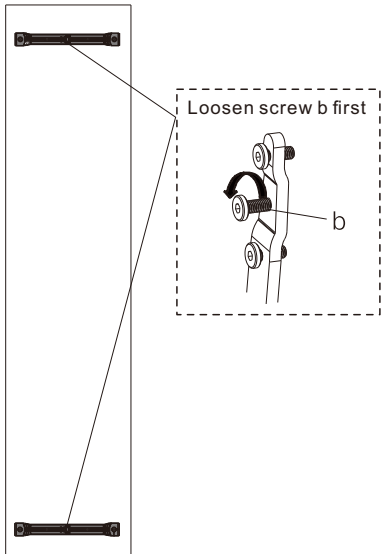


- ① Loosen screw b
- ② Loosen screw a
- ③ Loosen screw a
- ④ Lock screw b tightly



- ① Tighten screw a
- ② Tighten screw a
- ③ Lock screw b tightly

4.3 Loosen screws b that is preinstalled on T Shape Iron .



4.4 put part "a" of T shape iron into U shape slot of the main frame , aim at screw b hole, and then fix screw b.

