

# 星空-双层吊柜升降篮使用说明书

Starry Series -Double Layer Wall Cabinet Lifting Basket Instructions

**ZBOM 志邦**

志邦家居股份有限公司

地址:安徽省合肥市庐阳工业园连水路19号

电话/传真:0551-65203888 0551-65203999

Http://www.zbom.com

**ZBOM 志邦**

## Warranty Card

### Respected users:

First of all ,thank you for your choose "ZBOM " products, in order to make our service make you more satisfied, after the purchase, please read this manual carefully and keep the warranty card.

**One:**the warranty period of the company's products of hardware and functional parts is one year . please fill in the date when buy, buy site and affix one's seal, will be responsible for free maintenance warranty of products.**Second,**

**Two:**the warranty start date will be subject to product purchase date.

**Three:**please show this card when maintenance and product invoice.

**Four:** even during the warranty period, if one of the following situations happened, do not fall within the scope of free maintenance.

1. Due to not in accordance with the requirements of the instruction on the use of fault
2. Due to unreasonable installation of failure.
- 3.due to the fall, collision caused by the fault.
4. due to their own repair installation failure.

**Five:**please keep the warranty card, lost not be re-issued.

**Six :**or more than warranty period or not belong to the scope of free maintenance products,

Customer Name		Product Name			
Contact Information		Product Code	Label Bar Code Location		
Purchasing Date		Serial No			
Invoice No		Production Code			
Detailed Address					
Fault Phenomenon	Result Of Handling	User Confirmation	Maintenance Man	Maintenance Date	

Franchisee' s Seal

## 前言

非常感谢您选购ZBOM志邦厨房收纳产品！

在使用之前，请您仔细阅读本使用说明书。

由于不遵守该使用及安装说明书中规定的注意事项，所引起的任何故障和损失均不在厂家的保修范围内，厂家亦不承担任何相关责任。请妥善保管好所有文件。

如有疑问，请与当地的ZBOM志邦厨电客户服务中心或经销商联系。

本公司为您提供免费安装调试服务。

## Preface

Thanks for your choosing zbom cooking appliances.

Please read this specification carefully before you use the product.

Any failure and losses caused by ignoring the below mentioned items and cautions mentioned in the operation and installation instruction are not covered by our warranty and any liability. Please keep all documents in a safety place for future reference.

If you have any doubt, please contact our local service center or dealer.

We will afford service for free installing and debugging.

## Five:the common faults and processing methods

No.	Common Problem	Reason Analysis	Handling Method
1	The pull is not smooth	Guide rail spring is damaged. Guide rail lubricating oil is dry. Guide rail deformed and is damaged. Guide rail is filled with foreign matter.	Replace guide rail spring. Add lubricating oil. Replace guide rail. Clean up foreign matter.
2	The door is not tightly closed or can't be closed	Door panel deformed. Pulling basket deformed. Bearing capacity is overweight. The screw that used to fix the door panel is loose.	Replace door panel. Replace pulling basket. Put in suitable items according to the load-bearing capacity of basket Fix the screw tightly.
3	The frame surface of pulling basket is stained and smelly	Long-term non clean up	Clean up timely basket timely

## CONTENT

1:Accessories List.....	Page 1
2:Installation Instruction.....	Page 2
3:Precautions For Use .....	Page 6
4:Daily Maintenance .....	Page 6
5:Common Fault and Handling Method.....	Page 7
6:Maintenance Regulations.....	Page 7

## Six:Instruction Of Maintenance Rules

According to the law of the People's Republic of China << regulation of the responsibility of partial commodity that is replaced ,returned,repared >>  
The product from the date of purchase is one year warranty.

- When consumers enjoy warranty, must have a valid product purchase invoice and relevant voucher that manufacturer specified.  
Users should properly keep warranty card and purchase invoice.
- When users lost purchase invoice , it should be calculated valid warranty date according to the production date;
- The ownership of the part that be replaced belongs to the company ;
- According to the national regulation,if develop any of the following,all does not belong to the company warranty scope, it should be charged for the maintenance:
  - The damage of disassembly causing by the people who is not an employee of the company ;
  - Manipulate not in accordance with the matters needing attention from instruction book ;
  - Due to force majeure (such as fire, earthquake, flood, lightning, natural disasters) caused malfunction and damage;
  - Self-repair or non-maintenance disassembly;
  - Products exceed the free warranty period ;

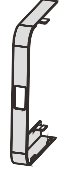

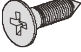
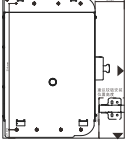
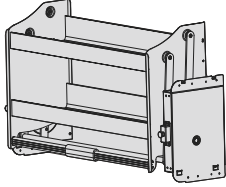
## Important Informaitions

- all packaging materials are environmentally friendly recyclable. Please handle corrcetly according to the environmental protection way.
- Do not let children play plastic membrane and packaging in order to avoid suffocation accidents.
- Check whether the products and accessories are all complete one by one after unpacking.

## Warning:

ZBOM HOME COLLECTION CO., LTD reserves the final interpretation right to the use of product and all contents in the installation instructions .If there are any changes without prior notice, please.

## ONE、Packing List

① Cover Cap (left)	② Cover Cap (right)	③ ST4.0*16 screw with flat circle head shape	④ Installation Template	⑤ Basket Body
1PCS	1PCS	16PCS	1PCS	1PCS
				

## TWO、Installation Instruction

**Note: to avoid an accident, when installation, must operate in accordance with the requirements of specification:**

**1:** Before installation, please read carefully the installation instructions, This product applies to 18 mm thickness carcass. Depth of cabinet (including door panel)  $\geq$  320 mm, height of cabinet  $\geq$  700 mm;

**2:** In order to ensure the installation quality of pulling basket and use of performance, ensure that the track of pulling basket is installed within the standard cabinet, otherwise it is not smooth when pulling out, space inside the cabinet is unreasonable, the adjustment of door panel becomes difficult.

**3:** To ensure the installation successfully, please use the accessories within the packaging, otherwise it is easy to cause installation errors.

## Installation Step Five:

5.1 After installing lifting basket, install door panel finally.

## THREE、Precautions For Use

**1:** This product can not store strong acid, alkali food for a long time, these food contain many electrolyte, long-term storage in product will make the product surface of metallic elements such as chromium and nickel be dissolved;

**2:** When clean the product, do not use strong alkaline or strong oxidizing chemicals, such as soda, bleaching powder, sodium hypochlorite washing;

**3:** If there are soy sauce, vinegar, salt and other dropped on products in the process of using, please timely cleaning, with a soft cloth to wipe;

**4:** In the process of using, do not use sharp or hard things to bump against the surface of the product, it is so easy to scratch the surface of the product;

**5:** In the process of pulling out the basket, try to avoid liquid and small particles from entering the track, maintain smooth degree of track, when storing items, it shall not exceed the bearing capacity of products, prevent deformation of products;

## FOUR、Daily Maintenance

**1:** Keep the interior of the product clean, if the product comes with drain board, please clean it periodically.




**2:** Prevent liquid from entering into the track, maintain the normal work and service life of track.

**3:** Avoid contact with strong alkali, strong acid, such as soy sauce, salt sprinkled on the product, please clear in time.

## Installation Step Four:

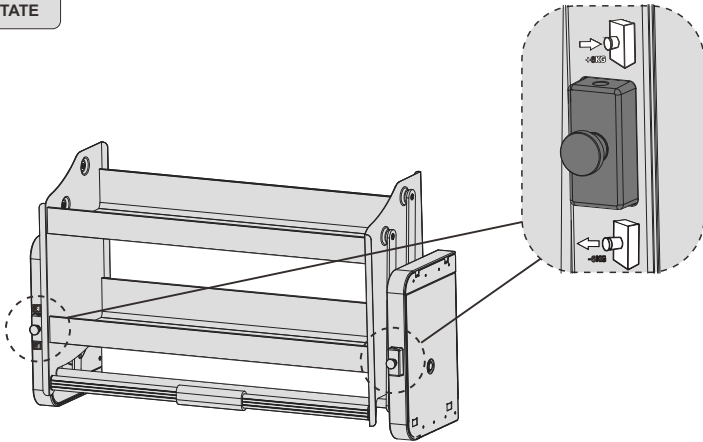
4.1 As shown in figure , according to the requirement to the dynamics , adjust the strength by the buttons on both sides of the handle(note: only adjust the strength under stationary state)

Operation instruction of force applying device:

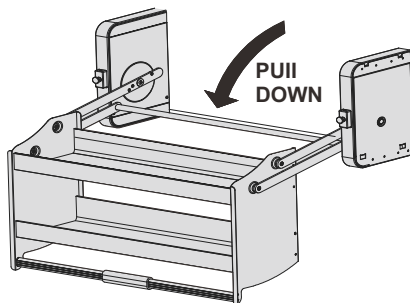
LEVEL	VIEW	OPERATION METHOD	LOAD BEARING SCOPE
Level 1		pull out the buttons on both side	≤6kg
Level 2		pull out one button and push another one	6~12kg
Level 3		push the buttons on both side	12~18kg

Increase one grade in the process of use,such as:≤6KG,can select level 1,and so on.

IDLE STATE

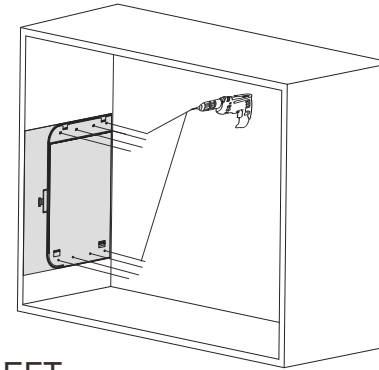


ON WORKING

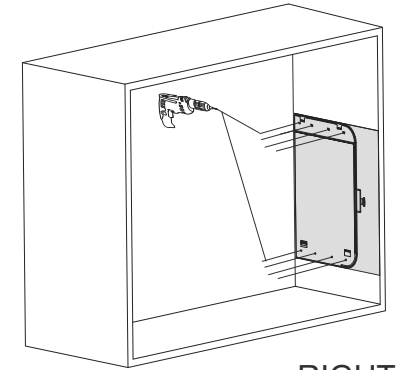


## Installation Step One:

1.1:as shown in figure,fold up the template along the dotted line,place the rear of the template against the back panel.then drill a diameter 2.5mm hole in the hole position. (note: when positioning the template,pay attention to avoid hinges,you can appropriately adjust the template height)



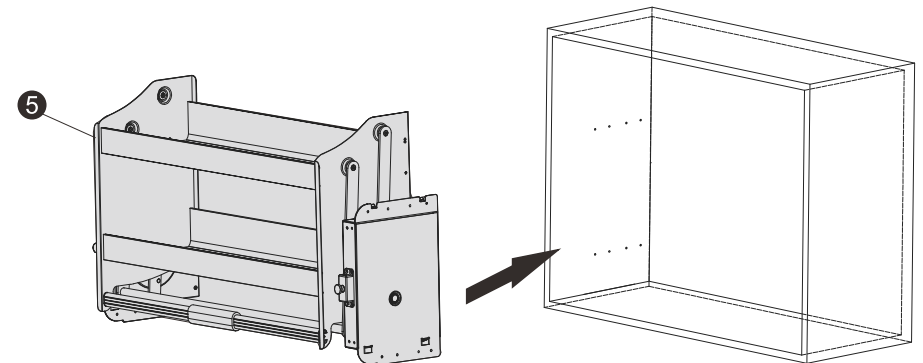
LEFT



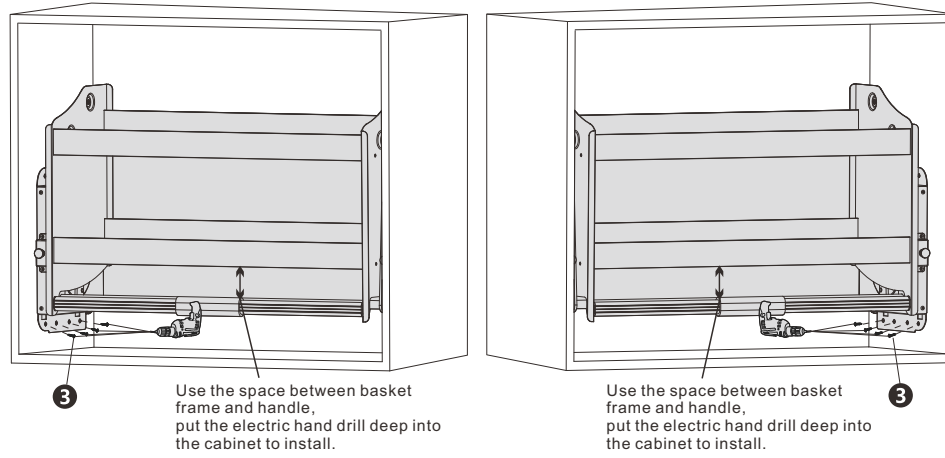
RIGHT

## Installation Step Two:

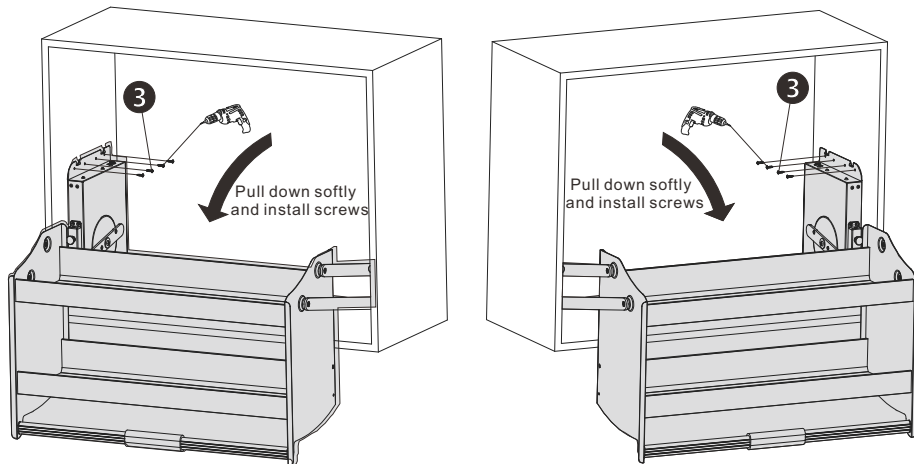
2.1:put the lifting basket in the cabinet and align the hole position.



2.2 Fix the lower row screw holes of the lifting basket with 8 ST4.0\*16 screws.

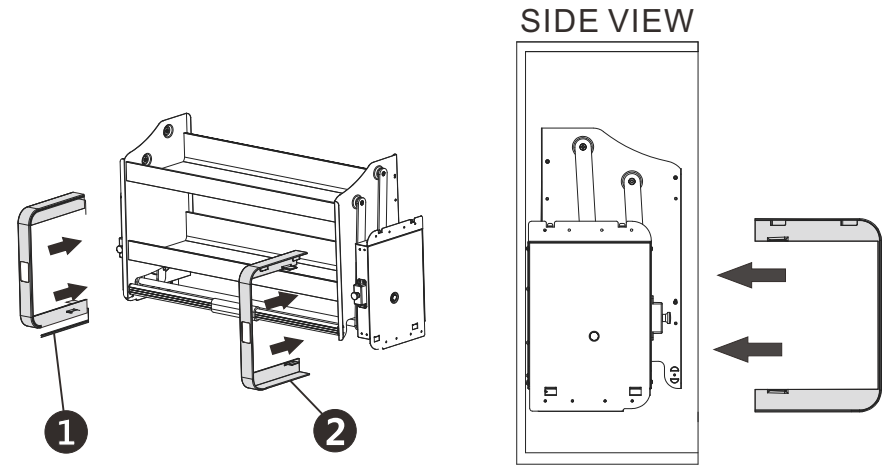


2.3: Pull down the handle softly, fix the upper row screw holes with ST4.0\*16 screws.



### Installation Step Three:

3.1: Sticking to the side panel, push the decorative cover into the base and finish installation



3.2: Installation is over.

