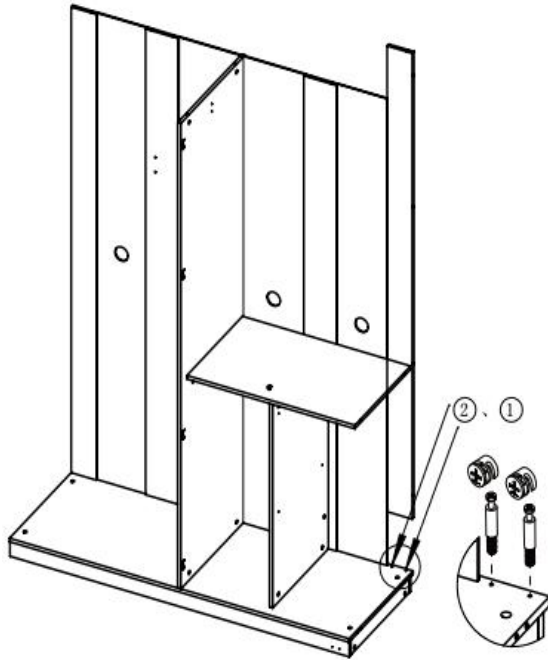
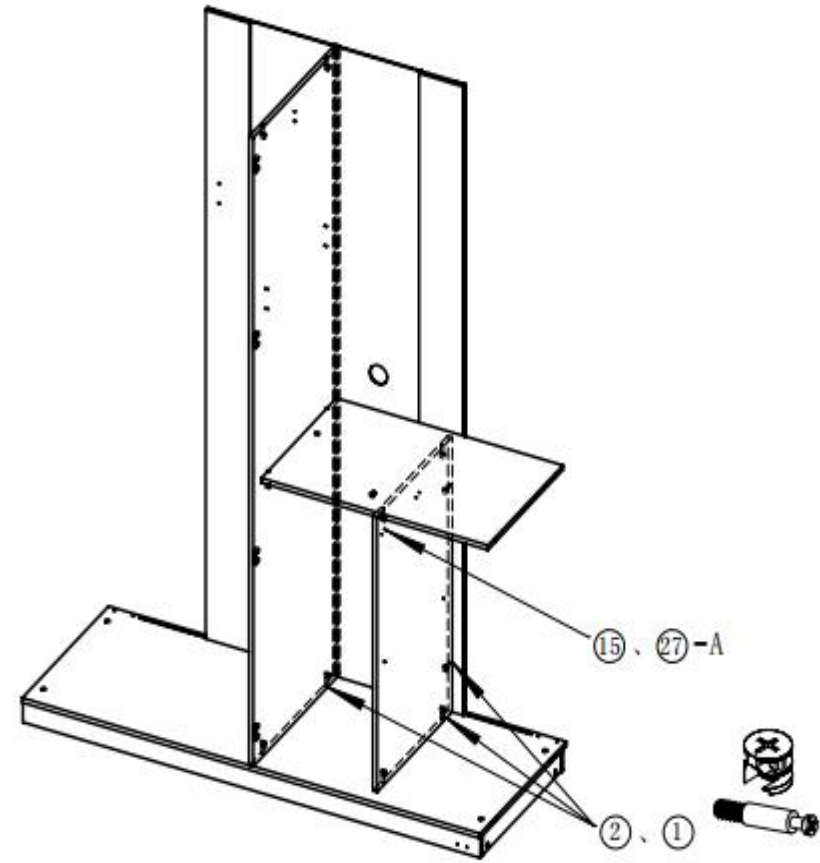


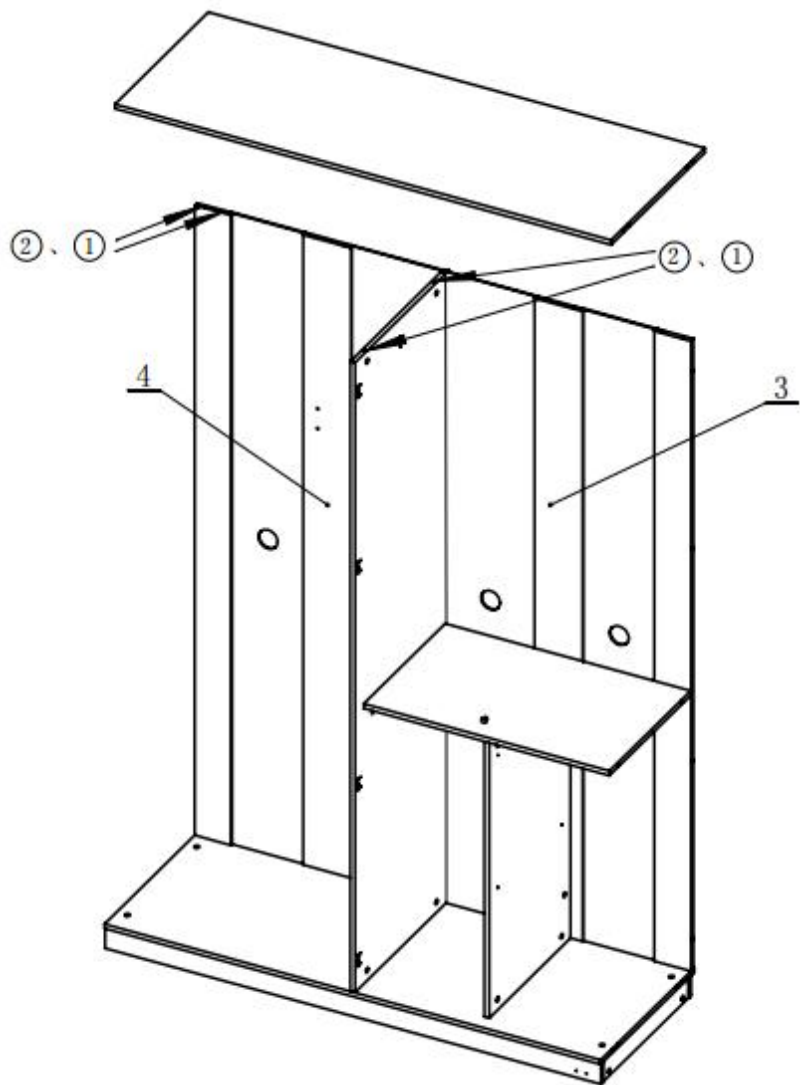
- 1、 a.The 12 use ②,①,⑥ to connect the 11 and 25,
 b.The 11 and 25 use ②,① to connect and fixed 1,
 c.Use ⑰ fixed the ⑬ to the connection of 11,12,25.



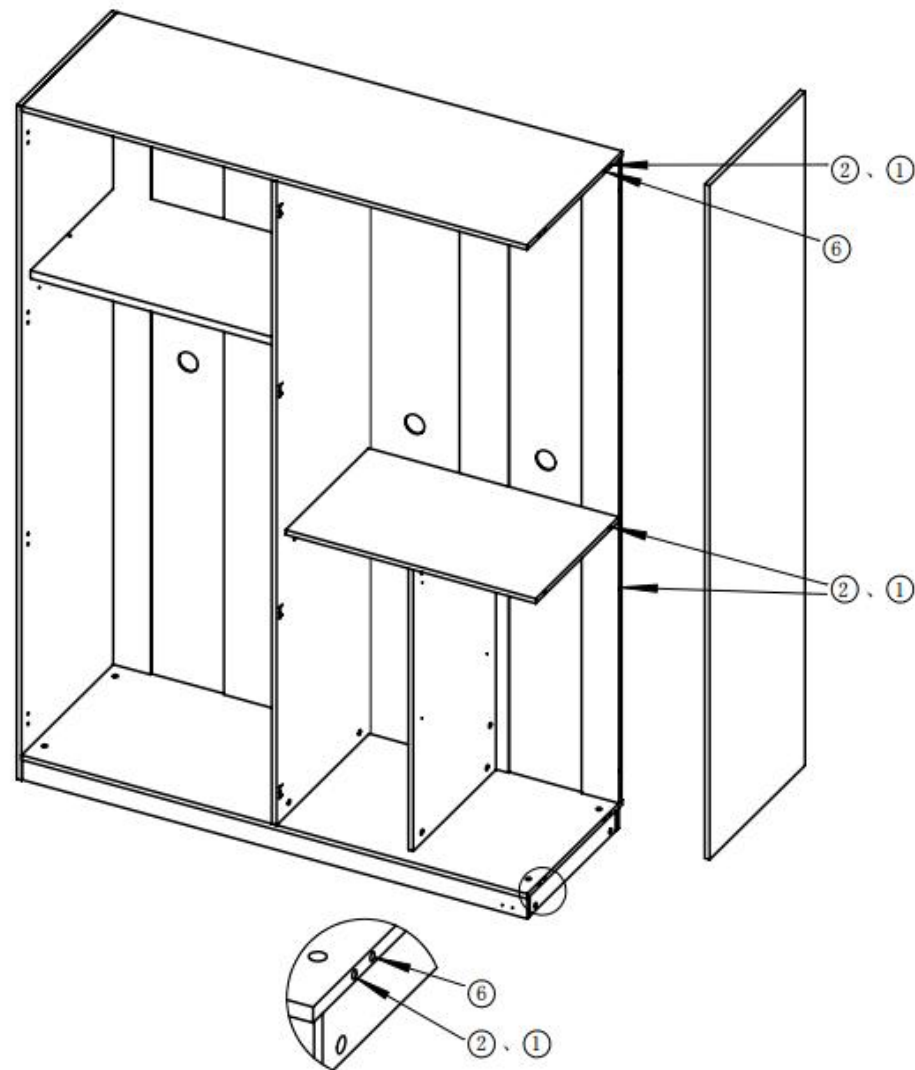
- 3、 a. The 4 is connected to the 1 with ② and ①,then insert 10.
 b. The 10 is connected to the 1 with ② and ①.



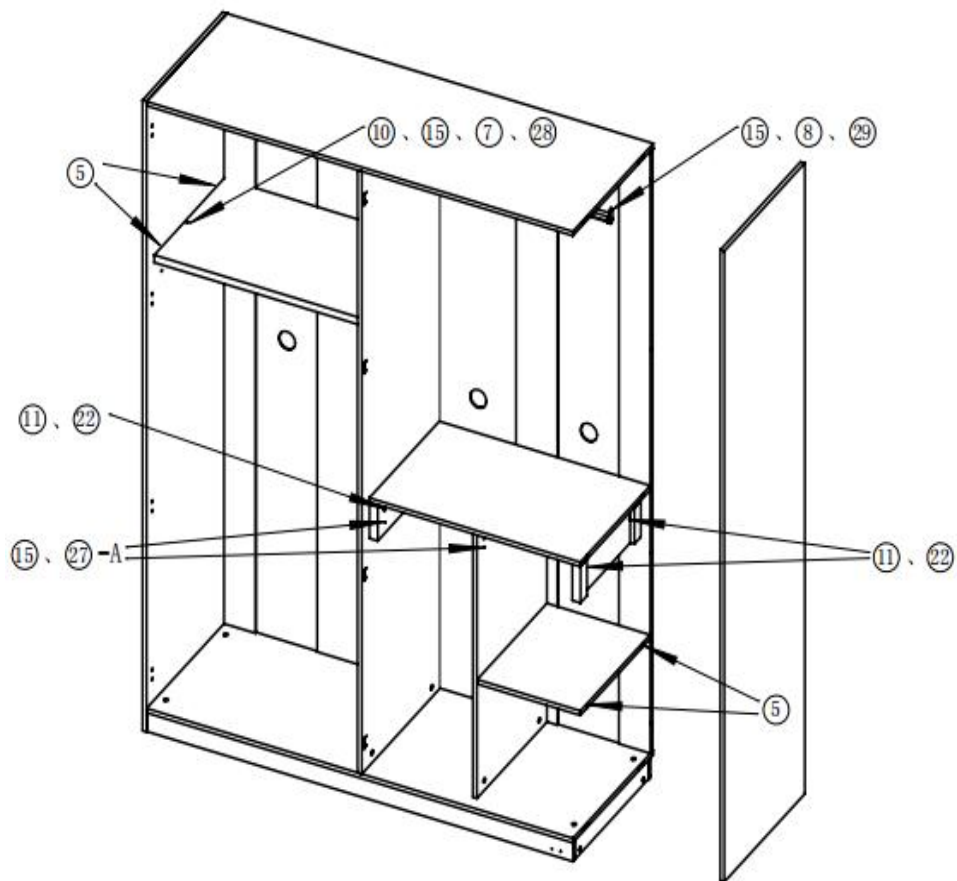
- 2、 a. Install ⑳-A on both sides of the 7 using ⑮;
 b.The 7 use ②,① to connect the 3;
 c.The 3 and 7 use ②,① to connect the 1;
 d.Then insert 14;
 e.The 29 use ②,① to connect the 7(do not tighten the buckle wheel temporarily);
 f.The 5 use ②,① to connect the 1, At the same time, the ② and ① are used to connect the 29 and tighten all buckle wheels;
 g. Insert the 14 (left side of the 5);



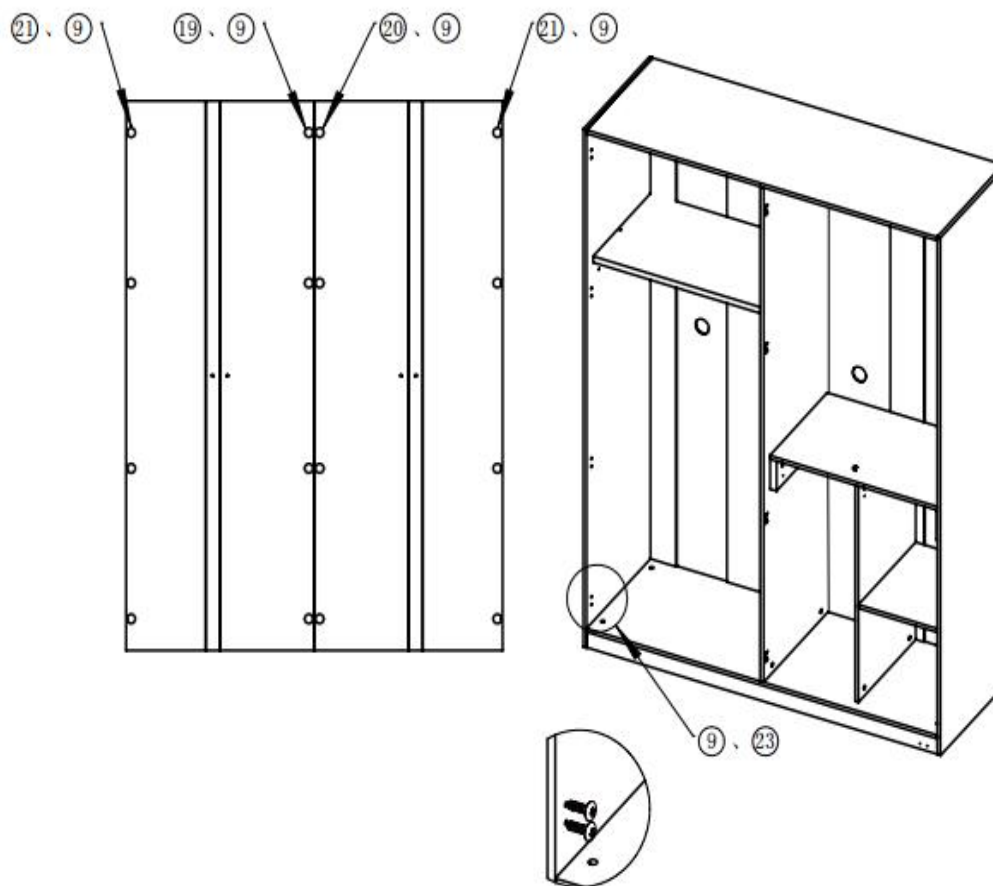
- 4、 The 5 use ② and ① to connect and fixed 24.
The 2,3,4 use ② and ① to connect the 24.



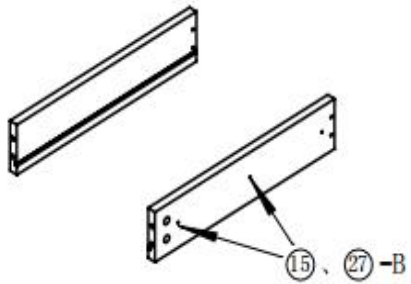
- 5、 a. The 29 use ②,① to connect and fixed the 23,
b. The 2 use ②,① to connect 23 and 22,
c. The 1 use ②,① and ⑥ to connect 23 and 22.
d. The 24 use ②,① and ⑥ to connect 23 and 22.



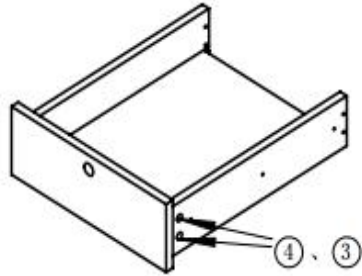
- 6、 a. The ⑮ are used to install the ⑳-A on the 9 and 8 respectively.
 b. Use ⑪, ⑫ to connect the 9 and 8 on the 5 and 23.
 c. The 6 is connected to the 22, 4 and 5 with ⑤. The 13 is connected to the 7 and 23 with ⑤.
 d. Use ⑮ to connect and fixed the ⑧ on the 5 and 23, and place the ⑲. Use ⑩, ⑮ to connect the ⑦ under the 6, and place the ⑳.



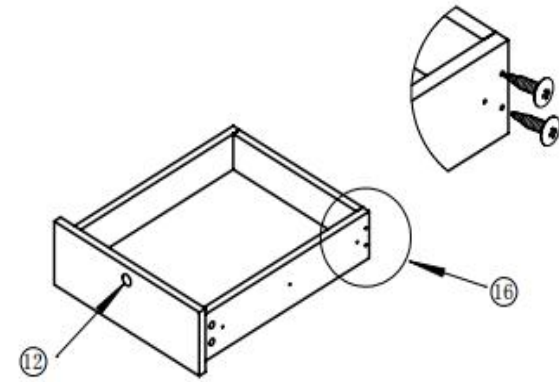
- 7、 a. Each ⑳ is installed on the corresponding position of the left and right door panels with two ⑨.
 Each ㉑ is installed on the corresponding position of the left middle door panel with two ⑨.
 Each ⑲ is installed on the corresponding position of the right middle door panel with two ⑨.
 b. After each hinge is fixed on each door panel, then use two ⑨ and two ㉒ fixed each hinge on the corresponding side plate of the cabinet body.
 (Note: First install 2 nickel-plated screws on the corresponding rubber plug hole position, and then fix with 2 self-tapping nails);



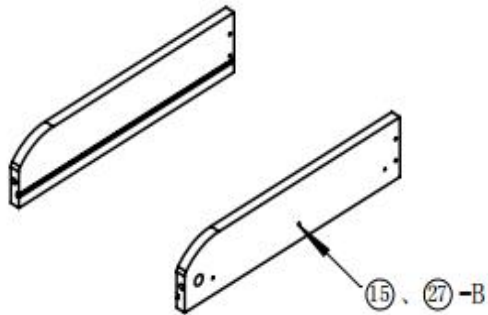
8、 Use ⑮ to install and fixed ⑳-B on the 26 and 27.



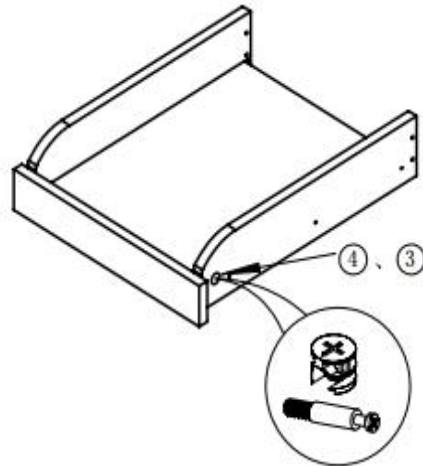
9、 The 26 and 27 use ④,③ to connect the 28 and insert the 21.



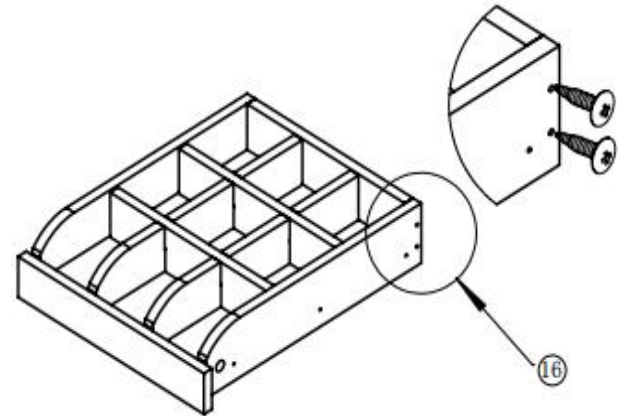
10、 The 26 and 27 use the ⑯ connected with 20 respectively. Install the ⑫.



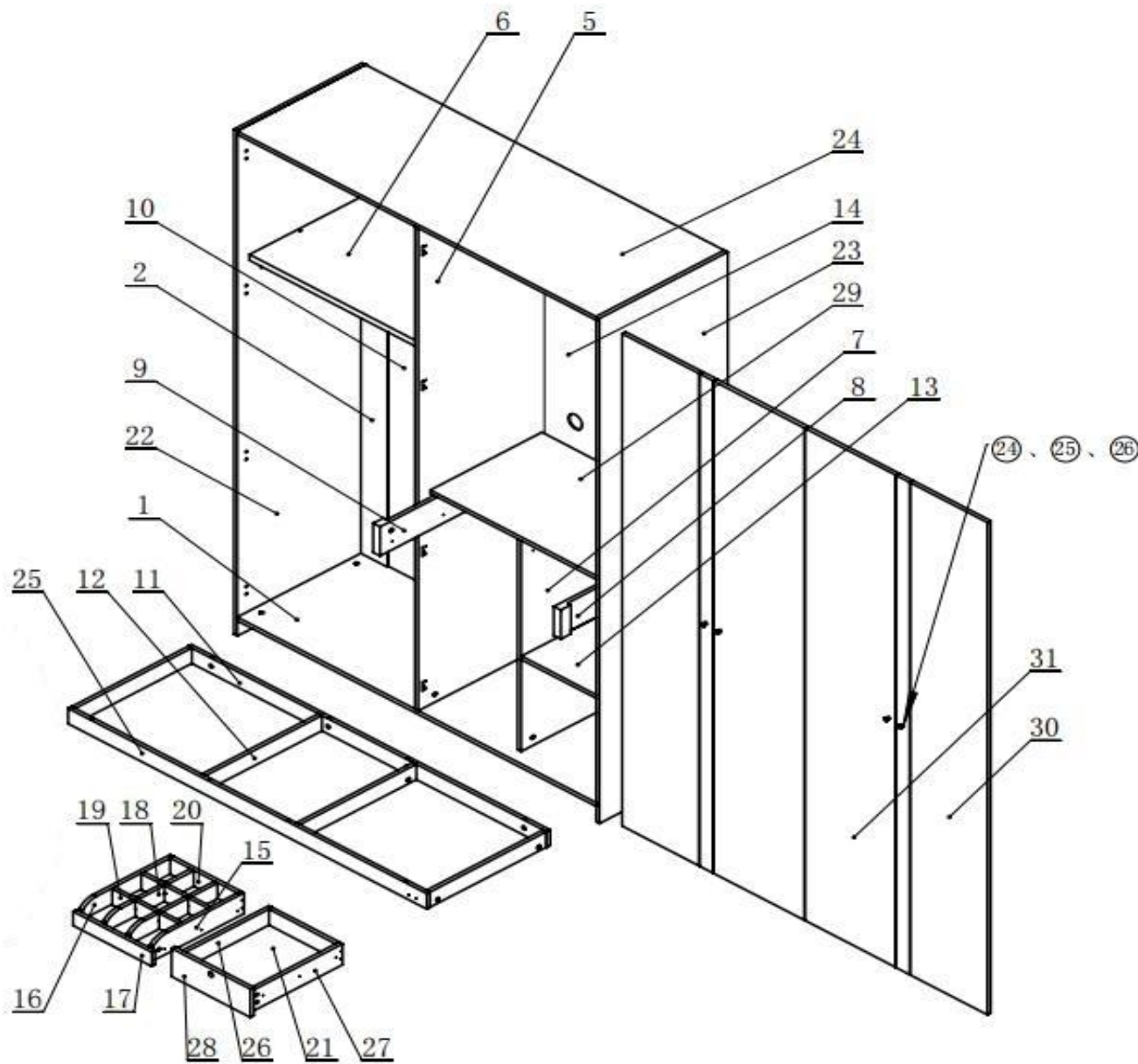
11、 The ⑮ is used to install and fixed ⑳-B on the 15 and 16.



12、 Use ④,③ to connect and fixed the 17 and insert the 21.



13、 The ⑯ used to connect 15,16and 20 respectively. Then put the 18 and 19 in the tie box.





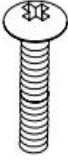





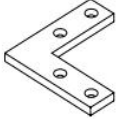






Itme	Name	Qty
1	Base plate	1
2	Side backing strip	2
3	The right dorsulum	1
4	The left dorsulum	1
5	Latus inframedium	1
6	The left grating	1
7	Neutral plate	1
8	Concealed drawer plate	1
9	Trousers rack plate	1
10	Side lacing	2
11	Long rear feet	1
12	Short feet	4
13	Small grating	1
14	The left and right side lacings	2
15	The right drawer side of tie box	1
16	The left drawer side of tie box	1
17	The drawer surface of tie box	1
18	The vertical clapboard of tie box	2
19	The transverse clapboard of tie box	2
20	Drawer end	2
21	Drawer bottom	2
22	The left side plate	1
23	The right side plate	1
24	Top plate	1
25	Long front feet	1
26	The right drawer side	1
27	The left drawer side	1
28	Concealed drawer surface	1
29	The right grating	1
30	The door panel	2
31	Middle door panel	2


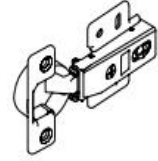



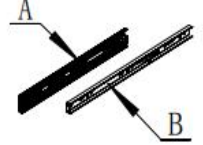
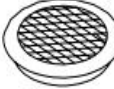


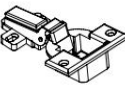


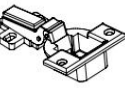

14、 a. ②⑥ is installed on the door panel with ②④ and ②⑤;

b. Cover the round hole of the back plane with ②⑧, paste ②④ on the hole of the fastener.

Install Complete.

Hardware List

No.	Name	Picture	Qty.	No.	Name	Picture	Qty.	No.	Name	Picture	Qty.
①	Large tapping buckle bar		63	⑥	8*35 Wood tip		16	⑪	M6*35 cross bevelling galvanized screw		4
②	Large buckle wheel		63	⑦	Long hanging rod support		2	⑫	Mechanical password lock		1
③	Small tapping buckle bar		6	⑧	Short hanging rod support		2	⑬	55*55*4 Rubber angle iron		8
④	Small buckle wheel		6	⑨	M4*12 cross countersunk head nickeled screw		65	⑭	650B# PVC adhesive cap		18
⑤	Plane fittings		9	⑩	M6*30 cross bevelling nickeled screw		2	⑮	M3.5*14 cross countersunk head tapping screw		30

No.	Name	Picture	Qty.	No.	Name	Picture	Qty.	No.	Name	Picture	Qty.
⑯	M3*30 cross countersunk head tapping screw		8	⑳	TTYYZB hydraulic hinge with 4 holes big base(wood door with straight arm)		8	㉑	A1059 Single hole handle with silver white paint blasting		4
㉒	M3*12 cross countersunk head tapping screw		32	㉓	Dia. 6mm flat washer		6	㉔	400MM New three-section drawer slide rail		2
㉕	5CM Air hole		4	㉖	M4*14 cross countersunk head tapping screw(nickeled)		32	㉗	Clothes rail		1
㉘	TTYYZW hydraulic hinge with 4 holes big base(wood door with TTYYZW) (customized, installation hole spacing 33mm)		4	㉙	M4*20 cross countersunk head galvanized screw		4	㉚	Clothes rail		1
㉛	TTYYZW hydraulic hinge with 4 holes big base(wood door with TTYYZW)		4	㉜	Dia. 4mm cupped washer		4				