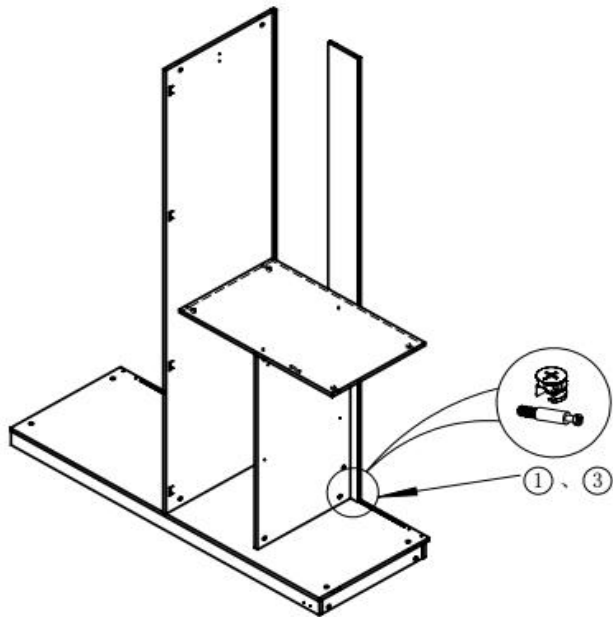
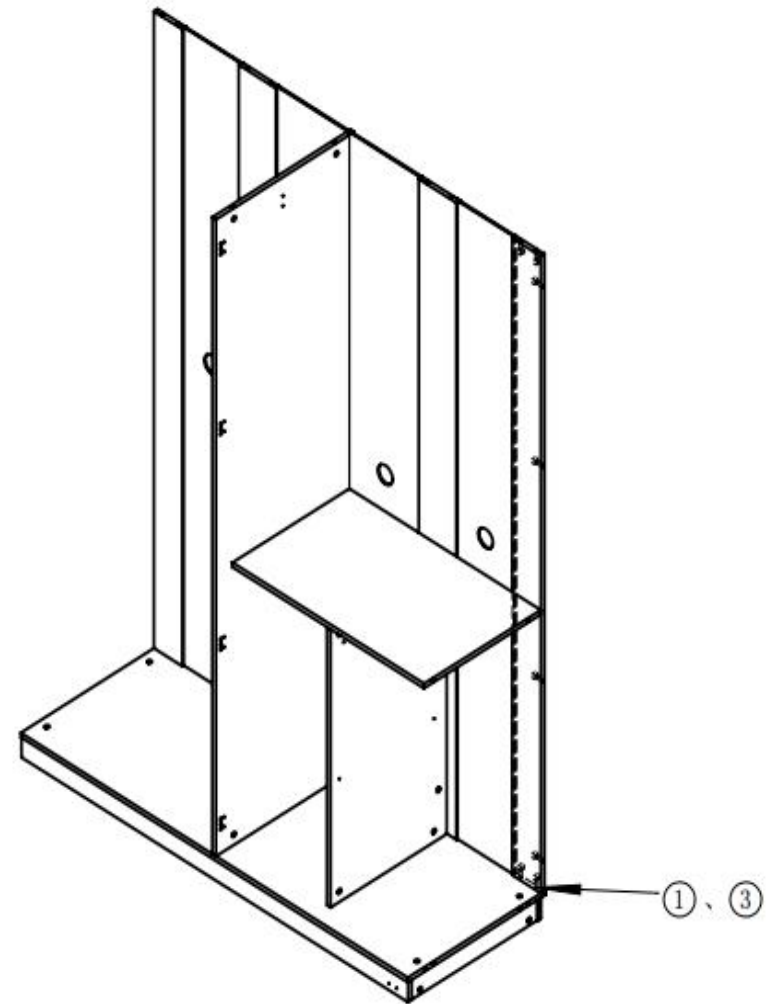


- 1、 a.The 12 use ①,③,⑥ to connect 11 and 21,
 b.The 11 and 12 use①,③ to connect 1,
 c.⑩ and ⑰ are fixed at the junction of 12, 11 and 21

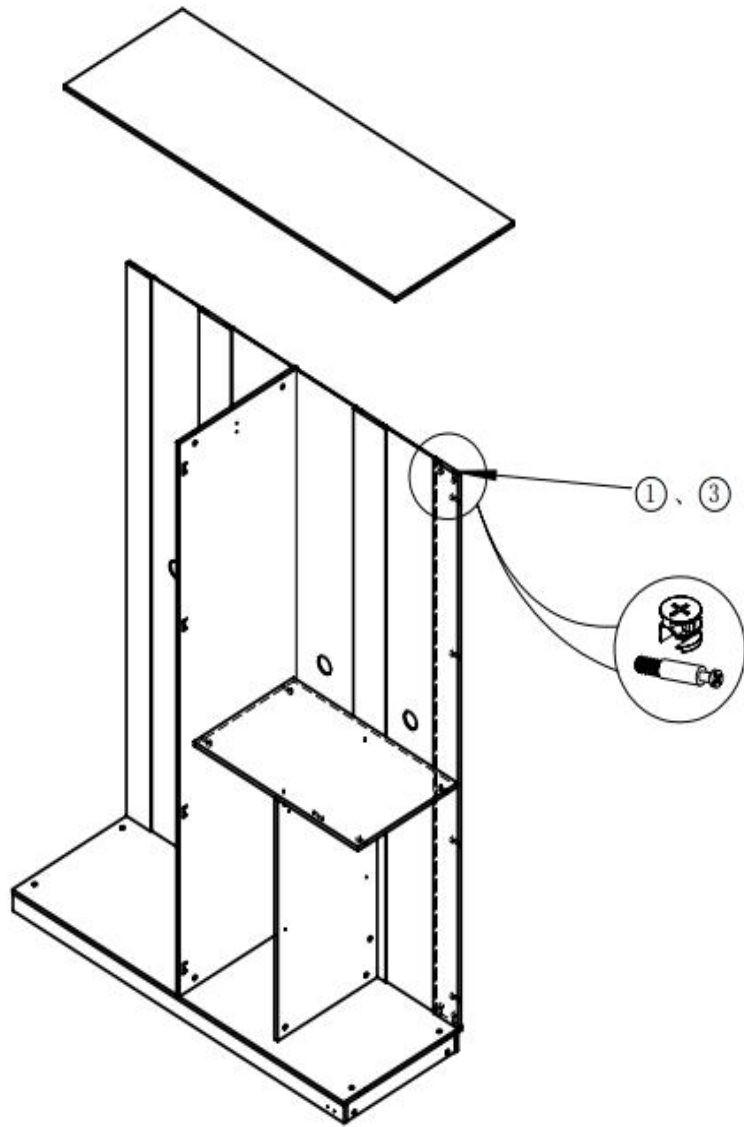


- 2、 a.The 22 use ③,①connected and fixed with the 5,
 b.The 7 use ③,①connected and fixed with the 22,
 c.The 3 use ③,①connected and fixed with the 7;
 d.The 5,7 and 3 use ③,①connected with the 1;

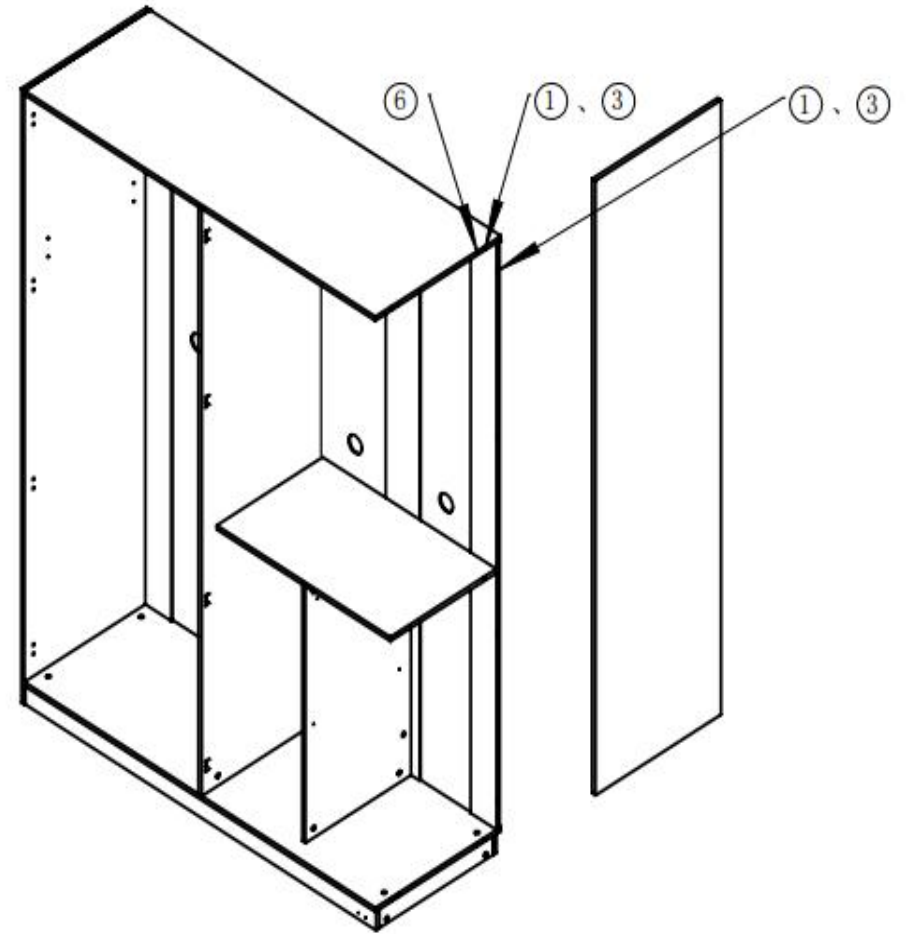


- 3、 a.As show in the figure,insert two pcs 16 respectively at corresponding positions on the left and right sides of the 5.

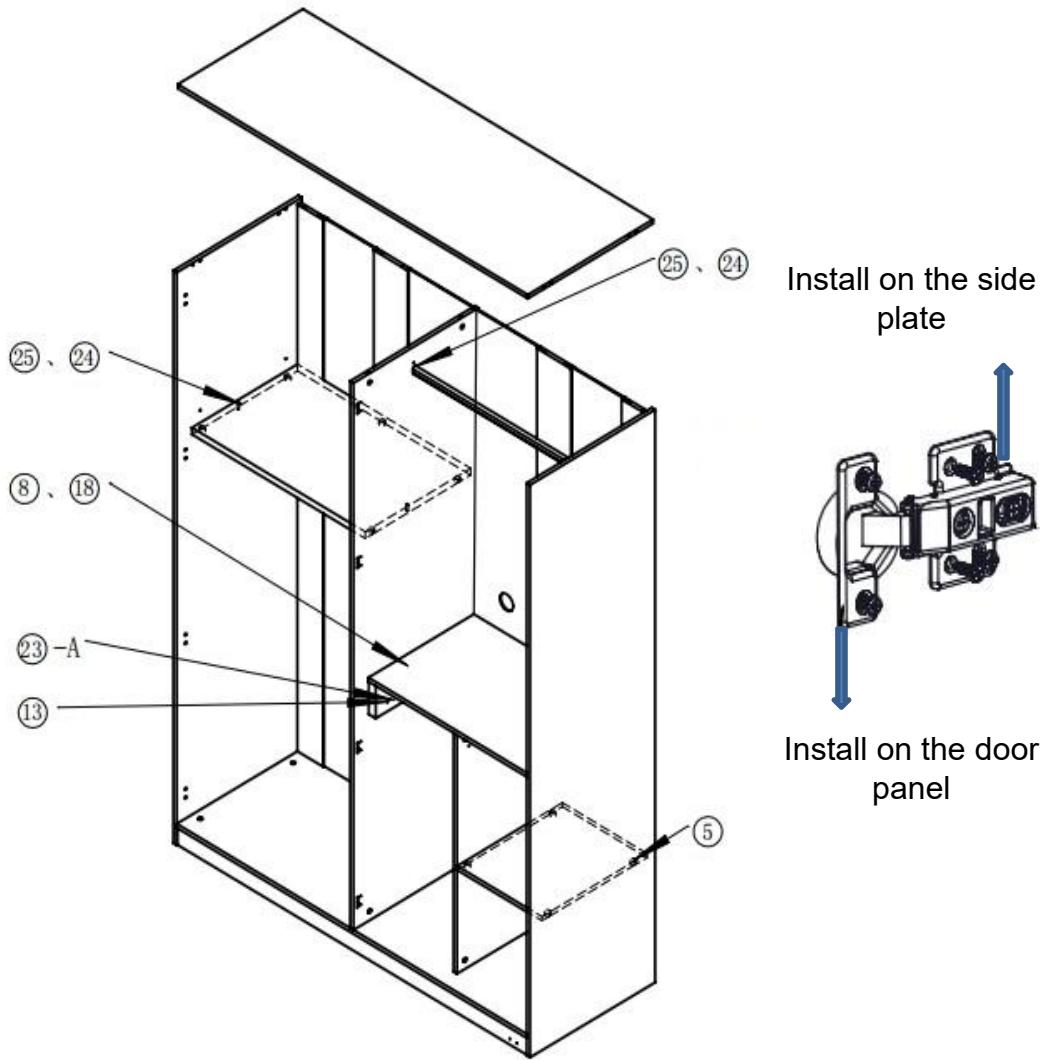
- b.The 4 use ③,①connected and fixed with the 1,
 c.Insert the 10,the 2 use ③,①connected with the 1;



4、 The 5 use ③, ① connected and fixed with the 20, At the same time, 2, 3 and 4 use ③, ① connected with the 20.



5、 a. The 19 use ③, ① connected with the 22,
 b. The 2 use ③, ① connected and fixed with the 18 and 19,
 c. The 18 use ③, ① and ⑥ connected with the 1 and 20, the 19 use ③, ① and ⑥ connected with the 1 and 20.

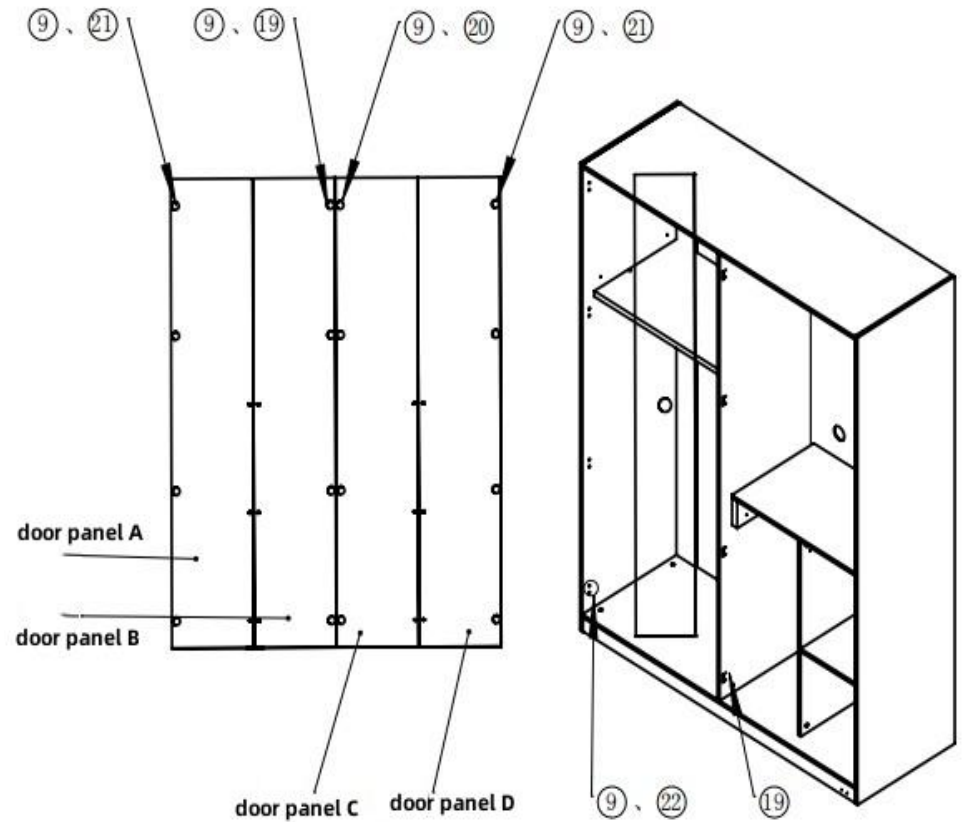


6、 a. ⑧ and ⑱ are used to connect the 9 and 8 to the 5 and 19 respectively.

b. ⑬ are used to install ⑲-A on the 9 and 7, 7 and 8.

c. The 6 use the ⑤ to connect and fix the 18, 4 and 5 respectively. The 13 use the ⑤ to connected and fixed on the 7 and 19 respectively.

d. The ⑳ connected and fixed on the 5 and 19, and placed the ㉔ in ㉕.

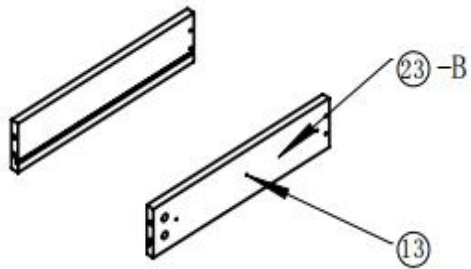


7、 a. Each ㉔ is installed on the corresponding position of door panel D and door panel A using two ⑦.

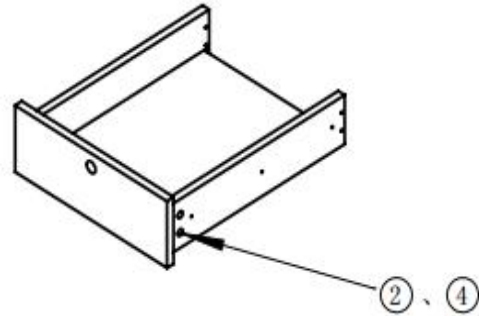
Each ⑳ is installed on the corresponding position of door panel C using two ⑦.

Each ⑱ is installed on the corresponding position of door panel B using two ⑦.

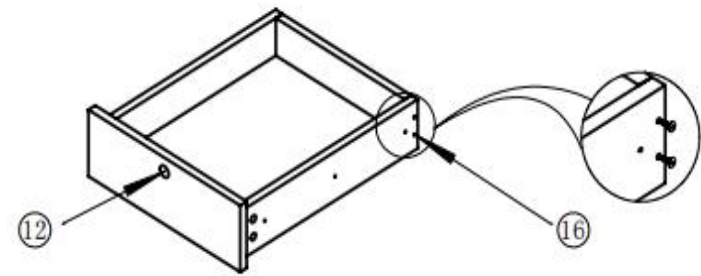
b. Then use two ⑦ and two ㉔ connect and fix each hinge on the door panel to the cabinet body corresponding side plate connection. (Note: First install two ⑦ on the corresponding plug hole position, and then use two ㉔ fixed tightly);



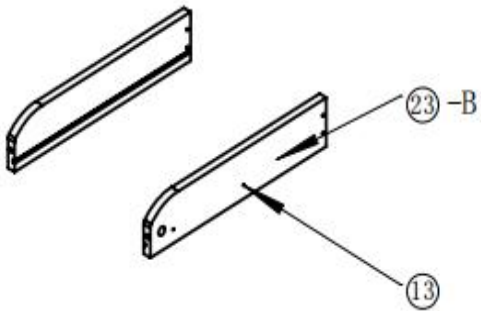
8、The ⑬ is used to install and fix ⑳-B on the 29 and 30.



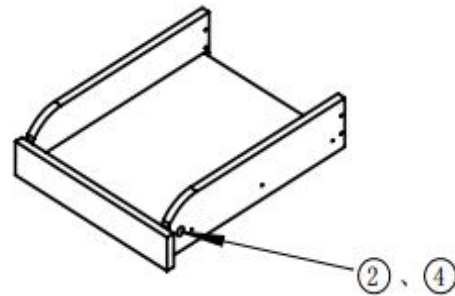
9、The 29 and 30 use ④, ② to connect the 17 and insert the 15.



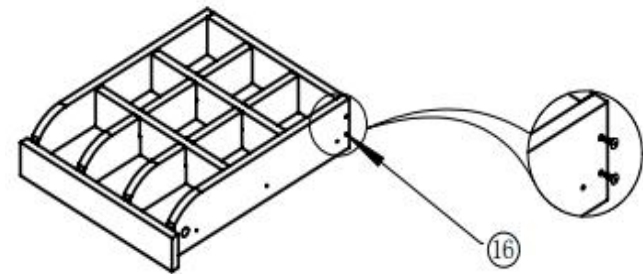
10、The 29 and 30 use the ⑯ connected with 14 respectively. Install the ⑫.



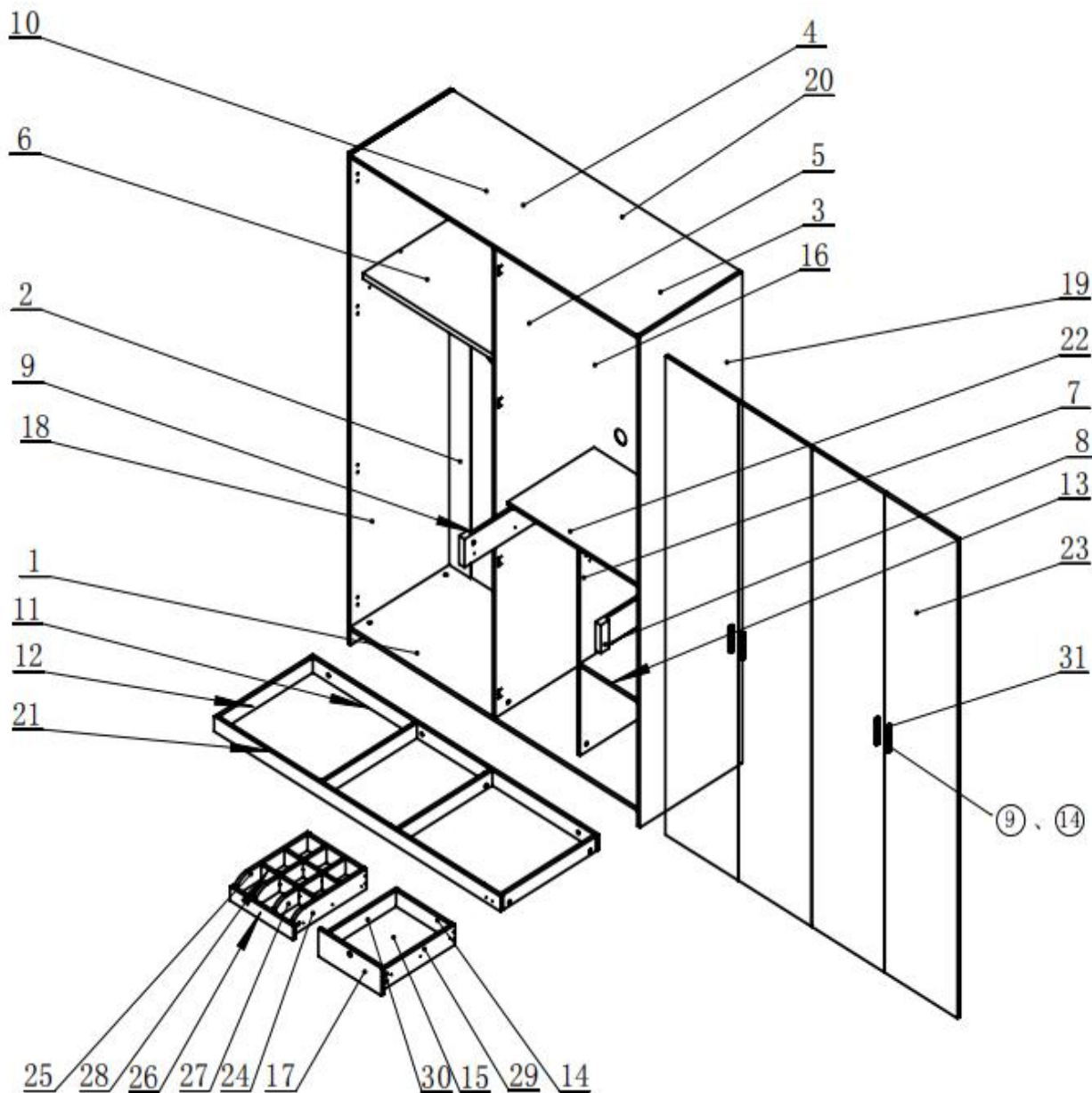
11、The ⑬ is used to install and fix ⑳-B on the 24 and 25.



12、The 24 and 25 use ④, ② to connect and fix the 26 and insert the 15.





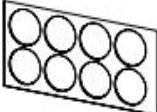










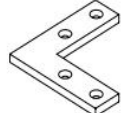
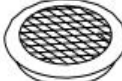
13、The 24 and 25 use ⑯ connected with 14 respectively. Then put the 28 and 29 in the tie box.


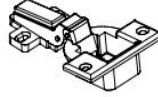


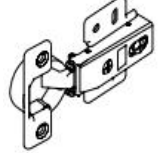
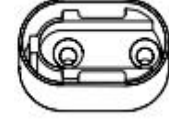



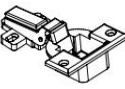
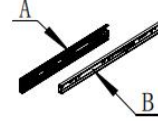


Itme	Name	Spec.	Qty
1	Base plate	1570X561	1
2	Side backing strip	2040X116	2
3	The right dorsulum	2040X152	1
4	The left dorsulum	2040X152	1
5	Latus inframedium	2040X561	1
6	The left grating	777X473	1
7	Neutral plate	892X472	1
8	Concealed drawer plate	420X123	1
9	Trousers rack plate	420X123	1
10	Side lacing	2048X235	2
11	Long rear feet	1569X65	1
12	Short feet	510X65	1
13	Small grating	380X471	1
14	Drawer end	293X88	2
15	Drawer bottom	301X393	2
16	The left and right side lacings	2048X290	2
17	Concealed drawer surface	345X120	1
18	The left side plate	2136X561	1
19	The right side plate	2136X561	1
20	Top plate	1570X561	1
21	Long front feet	1569X65	1
22	The right grating	777X473	1
23	The door panel	2082X398	4
24	The right drawer side of tie box	400X88	1
25	The left drawer side of tie box	400X88	1
26	The drawer surface of tie box	345X60	1
27	The vertical clapboard of tie box	292X66	2
28	The transverse clapboard of tie box	383X66	2
29	The right drawer side	400X88	1
30	The left drawer side	400X88	1
31	Handle		4

14、The 31 is installed on the door panel with ⑨ and ⑭.
 Cover the big round hole of each backplane with ⑮, paste the ⑪ on the hole of the fastener on the visible surface of each plate.
 The installation is complete.

Hardware List

No.	Name	Picture	Qty.	No.	Name	Picture	Qty.	No.	Name	Picture	Qty.
①	Large tapping buckle bar		62	⑥	8*35 Wood tip		16	⑪	Furniture sticker		16
②	Small tapping buckle bar		6	⑦	M4*12 cross countersunk head nicked screw		64	⑫	Mechanical password lock		1
③	Large buckle wheel		62	⑧	M6*35 cross bevelling galvanized screw		4	⑬	M3.5*14 cross countersunk head tapping screw		24
④	Small buckle wheel		6	⑨	M4*20 cross countersunk head galvanized screw		8	⑭	Dia. 4mm cupped washer		8
⑤	Plane fittings		9	⑩	55*55*4 Rubber angle iron		8	⑮	5CM Air hole		4

No.	Name	Picture	Qty.	No.	Name	Picture	Qty.	No.	Name	Picture	Qty.
⑩⑥	M3*30 cross countersunk head tapping screw		8	⑩②①	TTYYZW hydraulic hinge with 4 holes big base(wood door with TTYYZW)		4	⑩②④	Silver gray new flat clothes rail 762mm (with LED warm white light, human body sensor switch and USB socket)		2
⑩⑦	M3*12 cross countersunk head tapping screw		32	⑩②①	TTYYZB hydraulic hinge with 4 holes big base(wood door with straight arm)		8	⑩②⑤	New hanging rod support		2
⑩⑧	Dia. 6mm flat washer		4	⑩②②	M4*14 cross countersunk head tapping screw(nickeled)		32	⑩②⑥	USB power cable		1
⑩⑨	TTYYZW hydraulic hinge with 4 holes big base(wood door with TTYYZW) (customized, installation hole spacing 33mm)		4	⑩②③	400MM New three-section drawer slide rail		2				