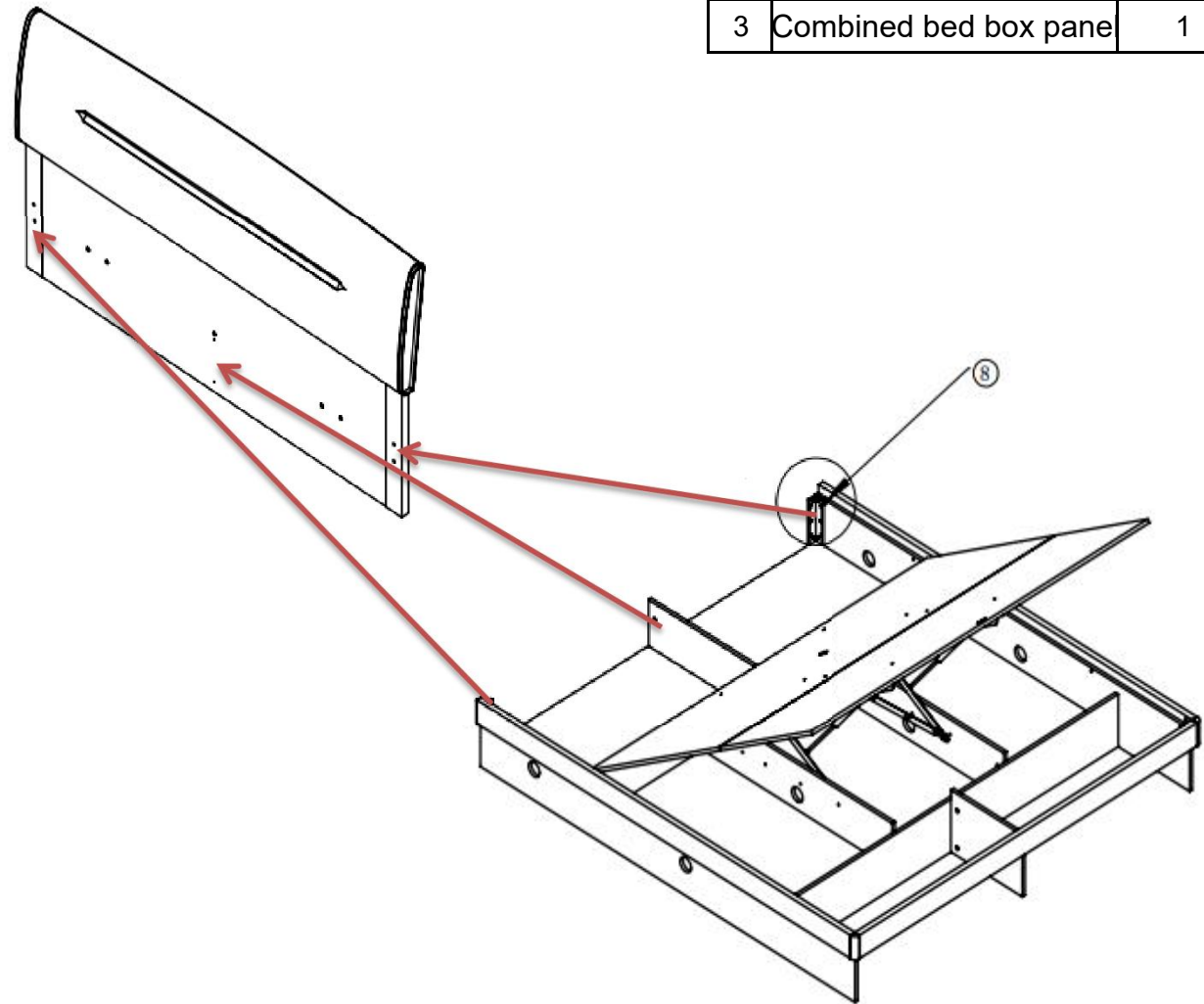
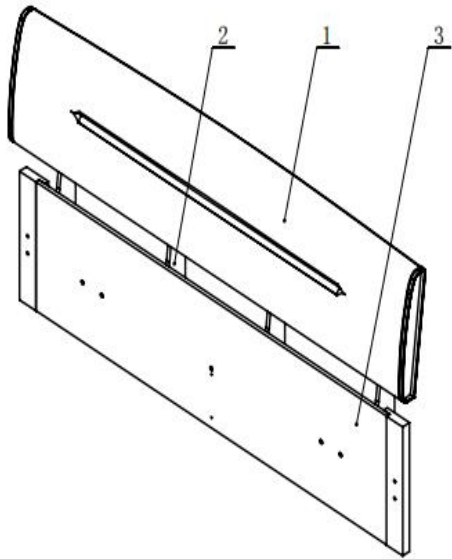
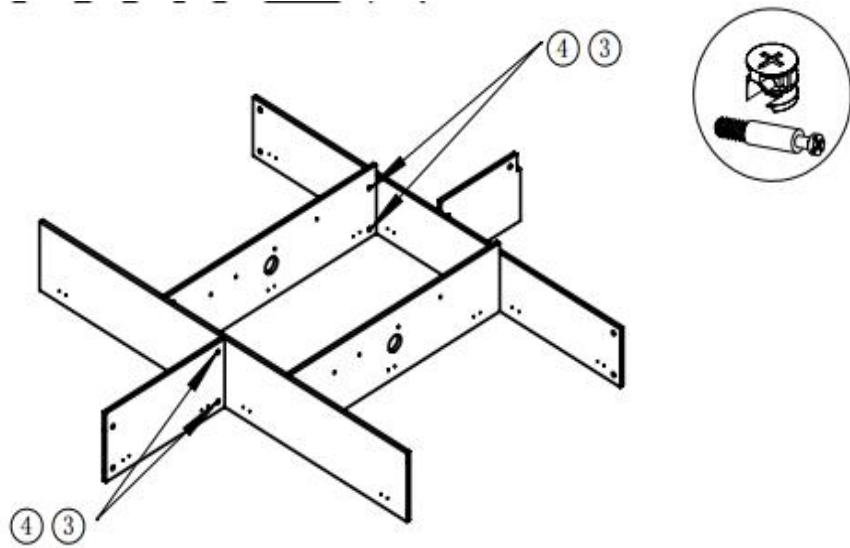
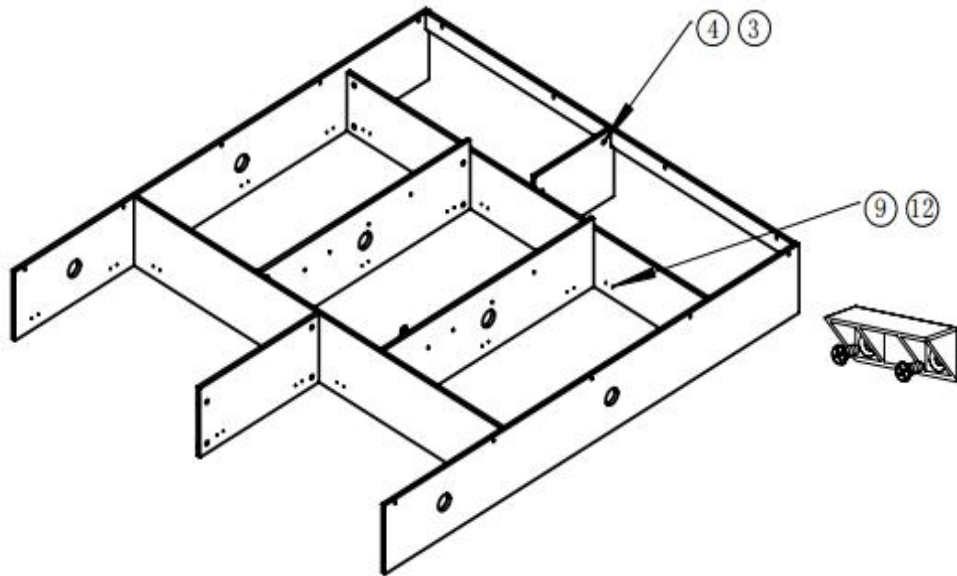


	Name	Qty.
1	Combined backrest	1
2	Support plate	4
3	Combined bed box pane	1

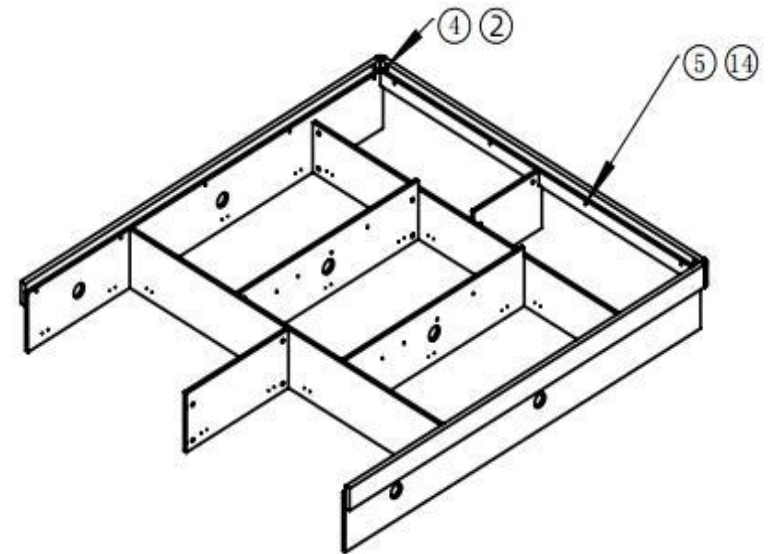




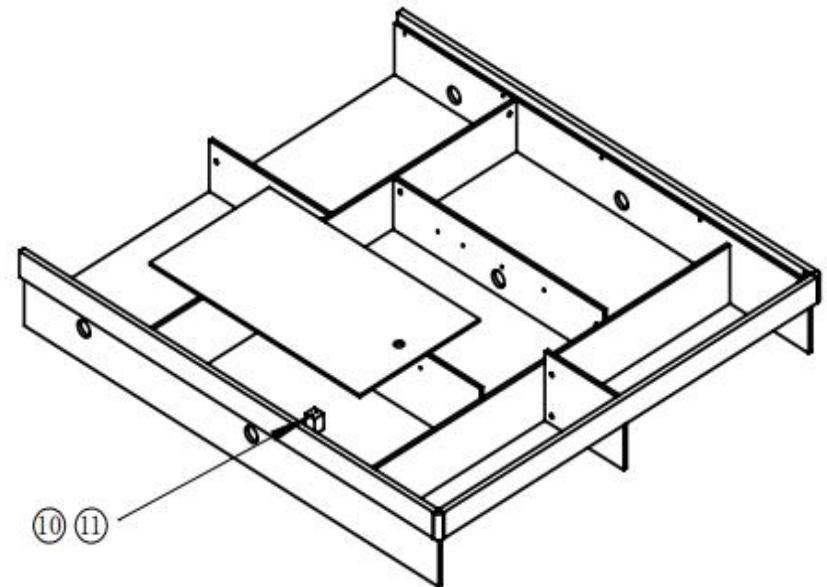
1: 13 and 14 use ④, ③ to connect to 9 and 10.  
 11 and 12 are connected using ④, ③ on the 9 and 10.



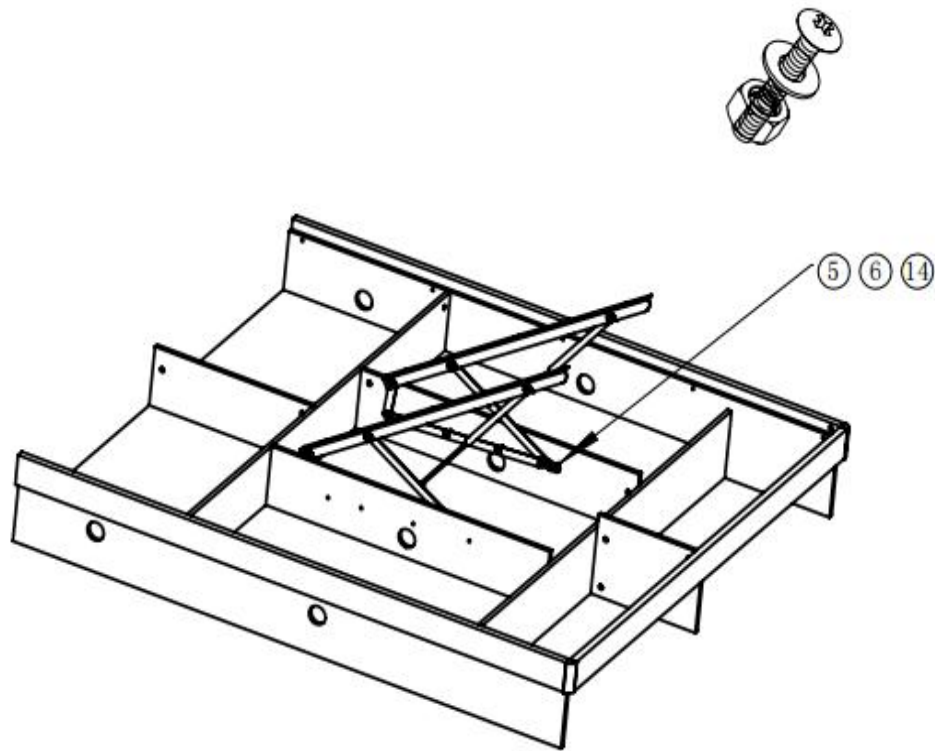
2: a. 2 Connect 12 with ④ and ③  
 b. 1 and 3 are connected with 9, 10, 2 using ④ and ③  
 c. ⑫ is fixed on each frame plate and left and right bedside by ⑨



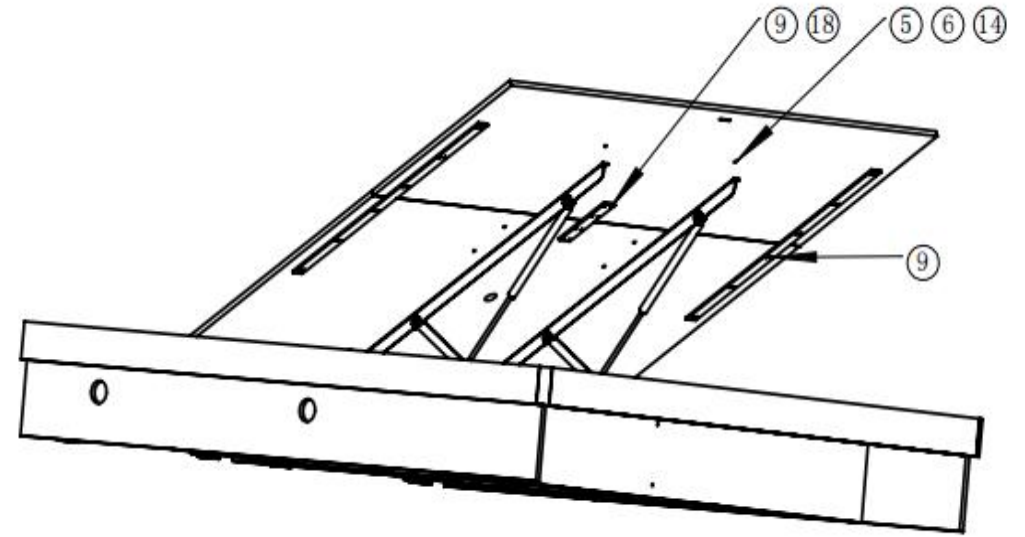
3: 4 and 8 use ④, ② to connect 7 at the same time.  
 The 4 and 8 use ⑤, ⑭ to connect 2, 1, 3 at the same time



4: 6 use ⑩、⑪ to connect each base plate,  
 then put the base plate into bed body;



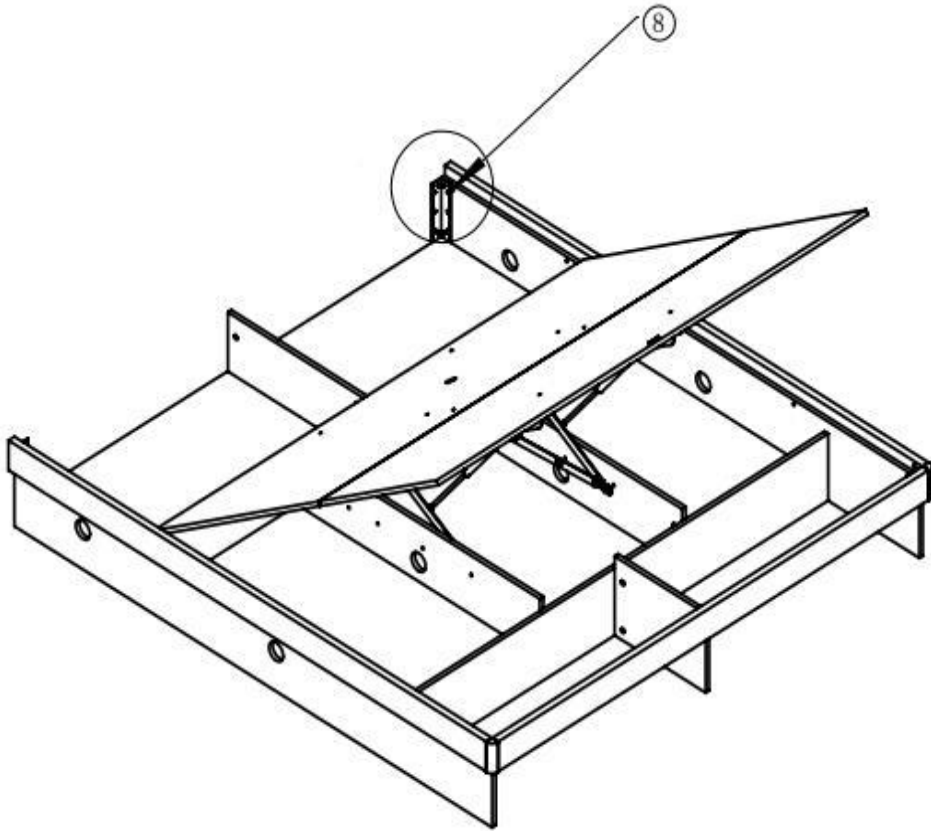
5: Hydraulic rod use (5), (14), (6) to connection 13, 14,  
And use (16) to tighten the nut.



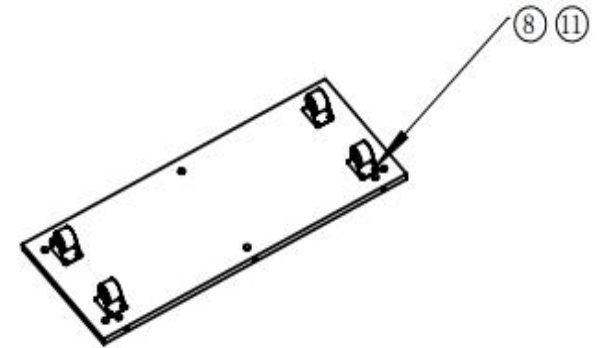
6: a. 5 Connect to 19 and 20 with (9).  
(18) Connect to 19,20 using (9).

b. Hydraulic rod connected to 19,20 by (5), (14), (6).

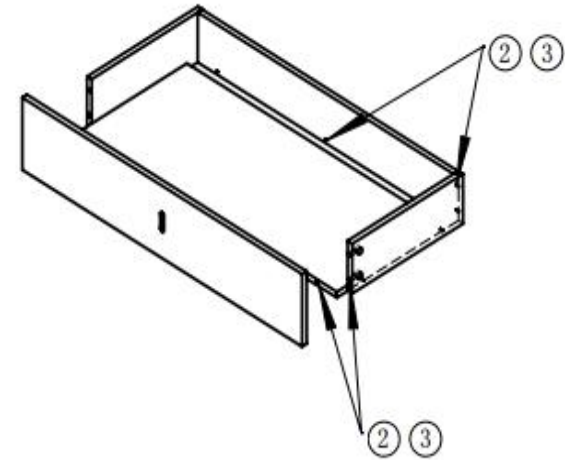
Note that the left and right ends of the rear and middle planks should be kept flat when installing them to avoid deformation after long-term use.  
And use (16) to tighten the nut;



7: First use ⑧ fixed ⑰ on the bed box panel.  
 Then use ⑧ connect ⑰ on 1 and 3.  
 Cover with 18;

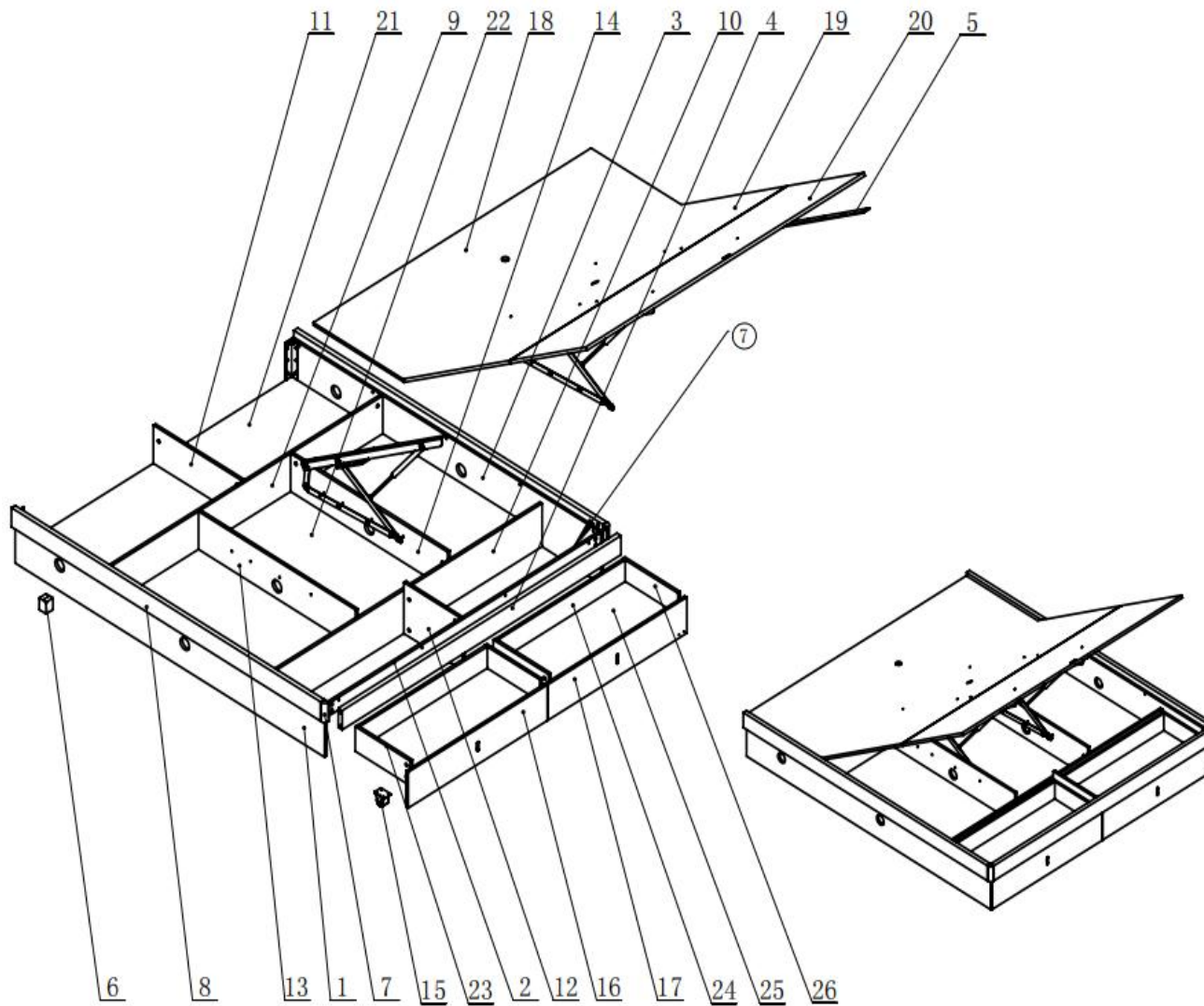


8: the 15 use ⑧, ⑪ to connect 25, Make  
 sure the Fixed caster are parallel



9: a. 25 Use ② and ③ to connect 24.  
 b. 23 and 26 are connected to 24 and 25 at the same time  
 with ② and ③.  
 c. 16 and 17 are connected to 25, 23 and 26 with ② and ③,  
 respectively



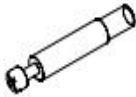











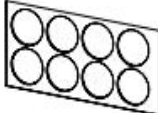






10: Put the drawer into the bed, adjust the clearance of drawer surface to 2mm, the ⑦ installed on ② evenly, To prevent the hydraulic rod down, the plate damage. Place the end of the Drawstring⑮ containing the metal buckle inside the rear bed plank, and pass the other end through the hole in the rear bed plank. Stick the exposed fastener hole with ⑬, cover the ventilation hole with ①, installation is complete.

Item	Name	Spec.	Qty
1	Combined left long bedside	2020X265	1
2	Rear bedside		1
3	Combined right long bedside	2020X265	1
4	Rear bed end strip	1520X100	1
5	Connect plate		2
6	Plastic socle		9
7	Wrap angle	100X27	2
8	Left / right edgings	2020X100	2
9	Combined front cross frame plate	1490X265	1
10	Combined rear cross frame plate	1490X225	1
11	Combined front frame plate	580X265	1
12	Combined rear frame plate	385X265	1
13	Combined left center bed frame plate	1025X265	1
14	Combined right center bed frame plate	1025X265	1
15	Fixed caster		8
16	Left drawer surface	759X186	1
17	Right drawer surface	759X186	1
18	Front bed plank	1515X593	1
19	Middle bed plank	1515X827	1
20	Rear bed plank	1515X593	1
21	Front base plate	735X578	2
22	Middle base plate	1023X484	3
23	Left drawer side	360X128	2
24	Drawer end	681X128	2
25	Drawer base plate	681X344	2
26	Right drawer side	360X128	2
27	Hydraulic rod		2

## Hardware List

No.	Name	Picture	Qty.	No.	Name	Picture	Qty.	No.	Name	Picture	Qty.
①	15cm air hole		6	⑧	M4*16 cross countersunk head tapping screw		52	⑮	Drawstring		1
②	Large buckle bar		8	⑨	M3.5*14 cross countersunk head tapping screw		116	⑯	Spanner		1
③	Large tapping buckle bar		63	⑩	M3*12 cross countersunk head tapping screw		18	⑰	Angle iron		2
④	Large buckle wheel		71	⑪	Dia. 4mm cupped washer		50	⑱	Black baking paint connecting plate		1
⑤	M6*25 cross bevelling nickeled screw		30	⑫	20 * 20 * 50mm Plastic angle code		46				
⑥	M6 hexagon galvanized nut		16	⑬	Furniture sticker		16				
⑦	Anti-collision rubber pad		4	⑭	Dia. 6mm flat washer		30				