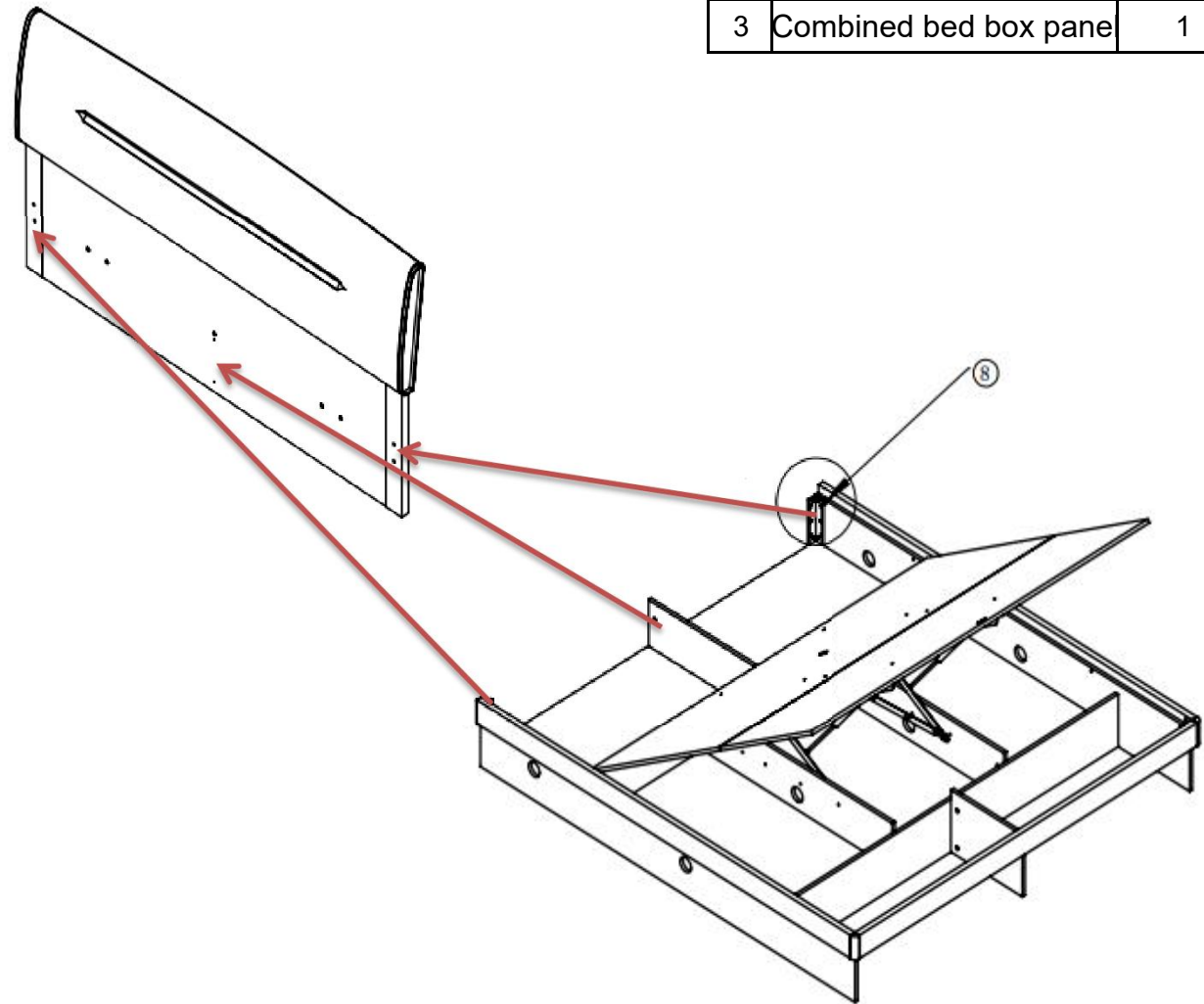
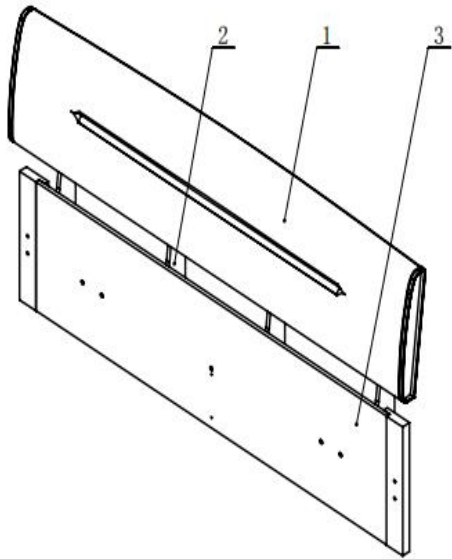
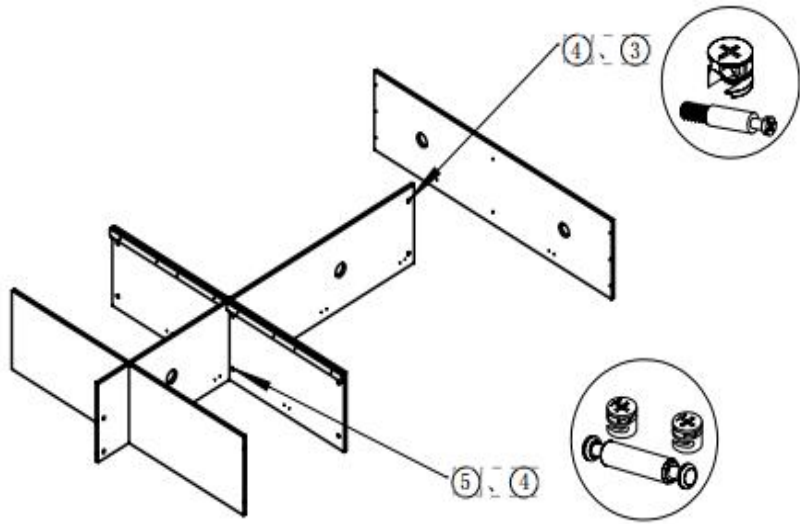
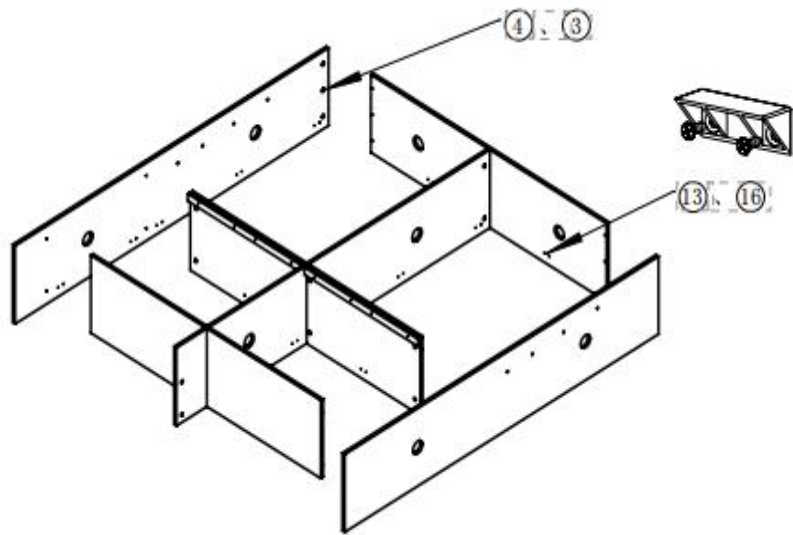


	Name	Qty.
1	Combined backrest	1
2	Support plate	4
3	Combined bed box pane	1

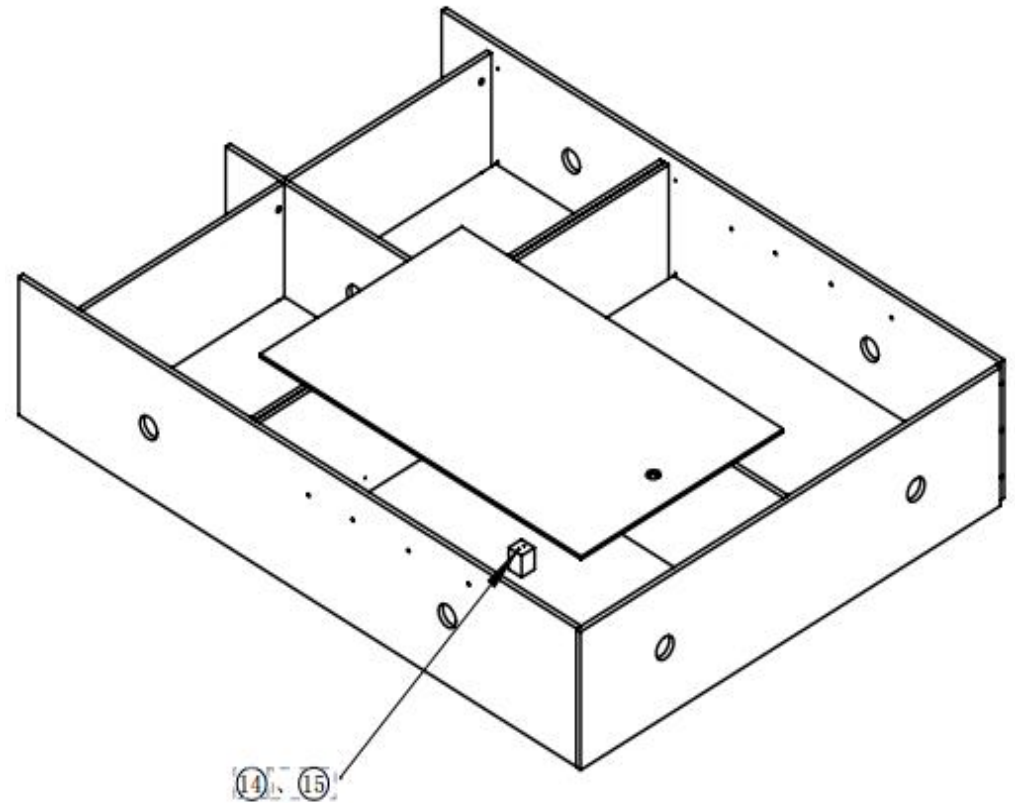




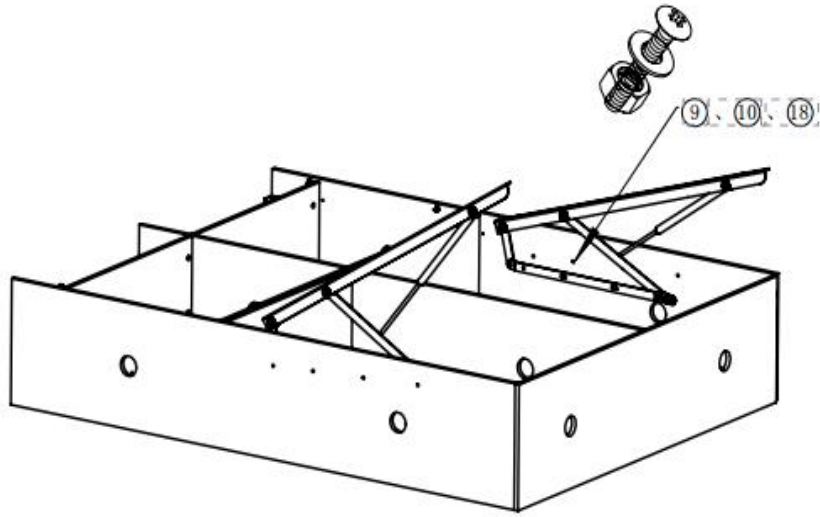
1: Each short frame plate connected by ④ and ⑤ to Combined Middle Bed Frame Plate, and the Combined middle bed frame plate use ④ and ③ connected Combined rear bedside



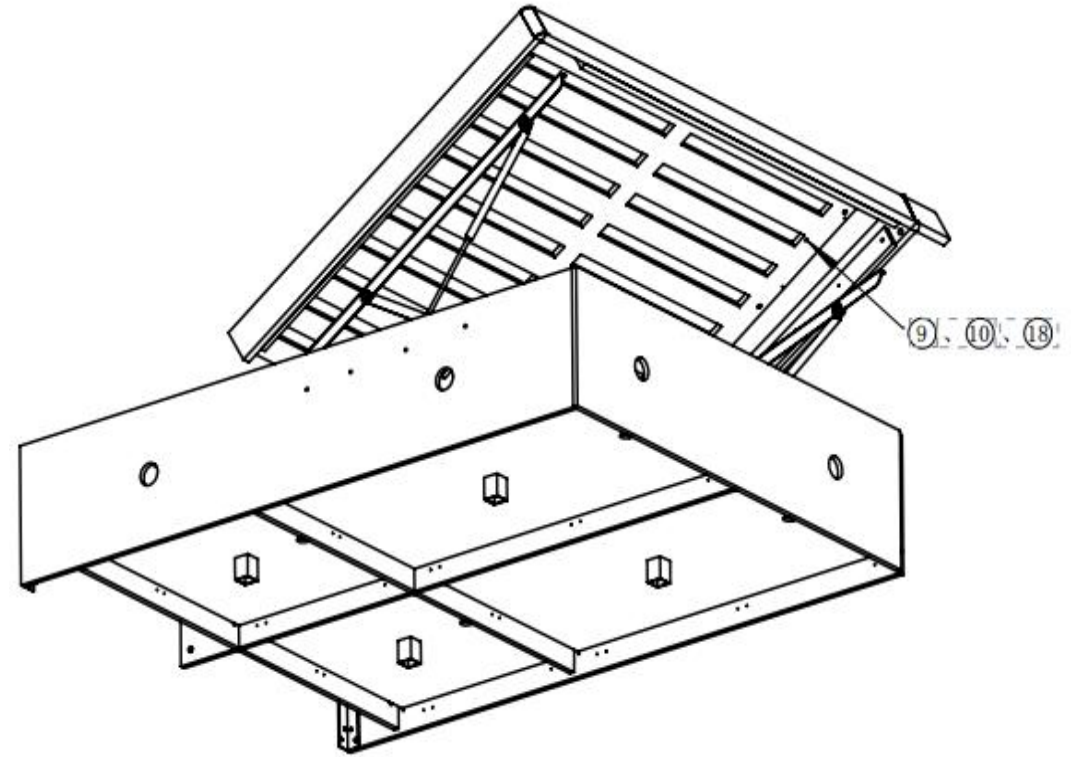
2: Combined Left / Right Long Bedside uses ④ and ③ to connect each Short Frame Plate, Combined Rear Bedside, and ①⑥ Fixed to Each Short Frame Plate, Combined Middle Bed Frame Plate, bedside with ①③



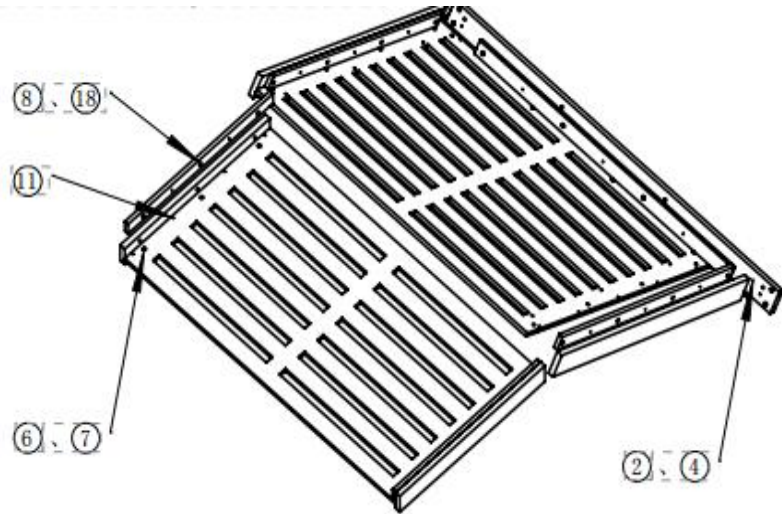
3: Each socle are connected to the base plate use ①④ and ①⑤ then put the base plate into the bed body;



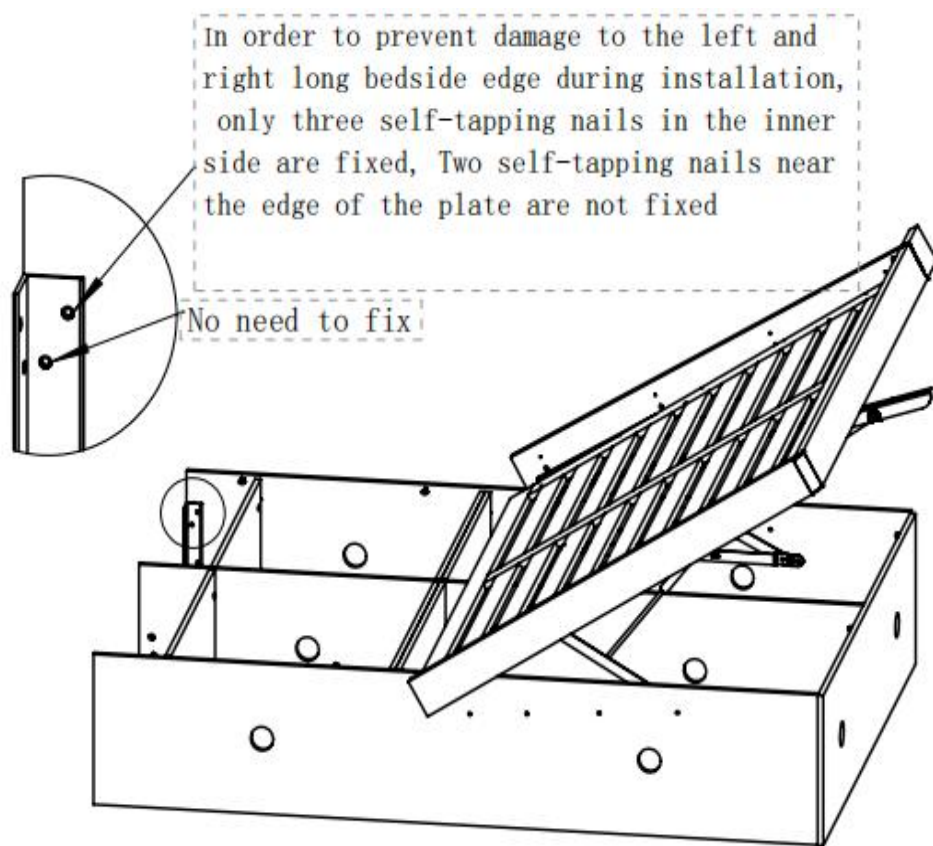
4: The hydraulic rod is connected to the Combined left / right long bedside by ⑨, ⑱, and ⑩, And use ⑲ to tighten the nut



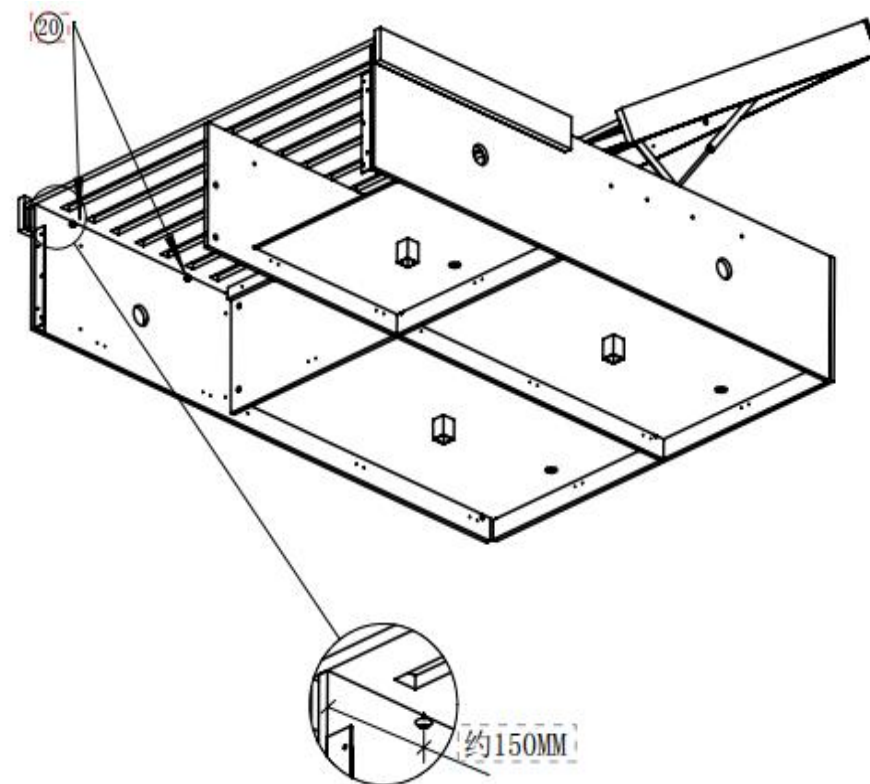
6: The hydraulic rod is connected to the Rear bed plank by ⑨, ⑱, and ⑩, And use ⑲ to tighten the nut



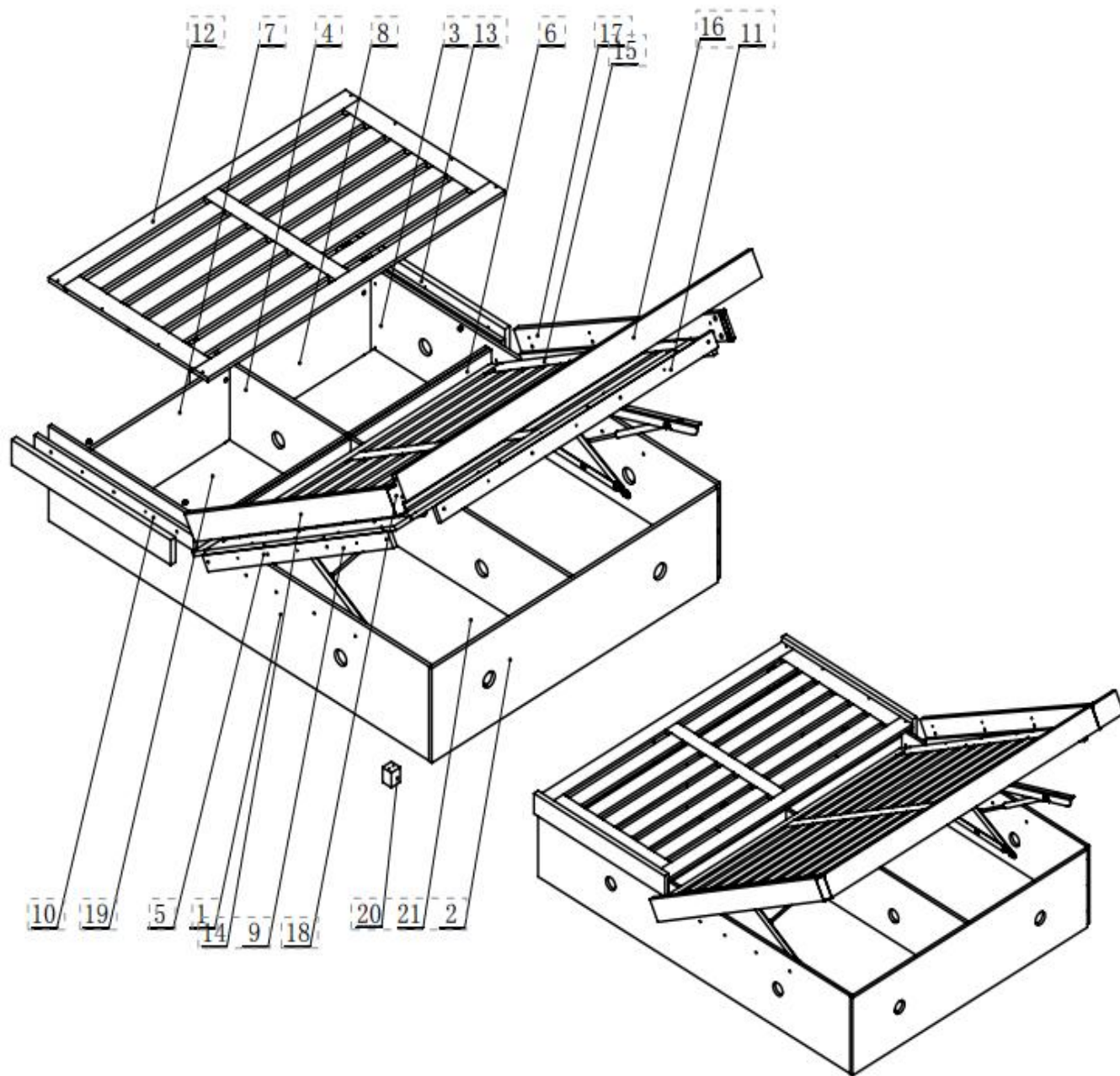
5: Rear bed end strip use ② and ④ to connect the Wrap angle. Each edgings used ⑥ and ⑦ connected to each bed plank. At the same time, edgings of rear bed plank is connected to the the Wrap angle with ② and ④ . Each Crosser use ⑧ and ⑱ connects to each edgings. The front of the bed plank connect by ⑪ to reinforce the bed plank and Crosser



7: First use the ⑫ to fix the black paint connecting Angle steel to the bed box panel. Second, use ⑫ to connect the black paint connecting Angle steel on the Combined left long bedside and Combined right long bedside.



8: Cover the Front bed plank and Rear bed plank. The ⑳ is installed under the Front bed plank. The edge of the ⑳ is cut with the inside of the bed, About 150mm from the bedside and the Combined left/right rear short frame plate. The exposed buckle hole is glued ⑰, covered with ① at the breathable hole, then installation is completed.



Itme	Name	Spec.	Qty
1	Combined left long bedside	1935X380	1
2	Combined rear bedside	1454X380	1
3	Combined right long bedside	1935X380	1
4	Combined middle bed frame plate	1935X380	1
5	Combined left rear short frame plate	702X380	1
6	Combined right rear short frame plate	702X380	1
7	Combined left front short frame plate	702X380	1
8	Combined right front short frame plate	702X380	1
9	Crosser of rear bed plank	1100X60	2
10	Crosser of front bed plank	810X60	2
11	Rear crosser of rear bed plank	1410X60	1
12	Front bed plank	1510X810	1
13	Edgings of front bed plank	810X100	2
14	Left edgings of rear bed plank	1200X100	1
15	Rear bed plank	1510X1200	1
16	Rear bed end strip	1510X100	1
17	Right edgings of rear bed plank	1200X100	1
18	Wrap angle		2
19	Front base plate	700X598	2
20	Plastic socle		4
21	Rear base plate	1114X700	2

