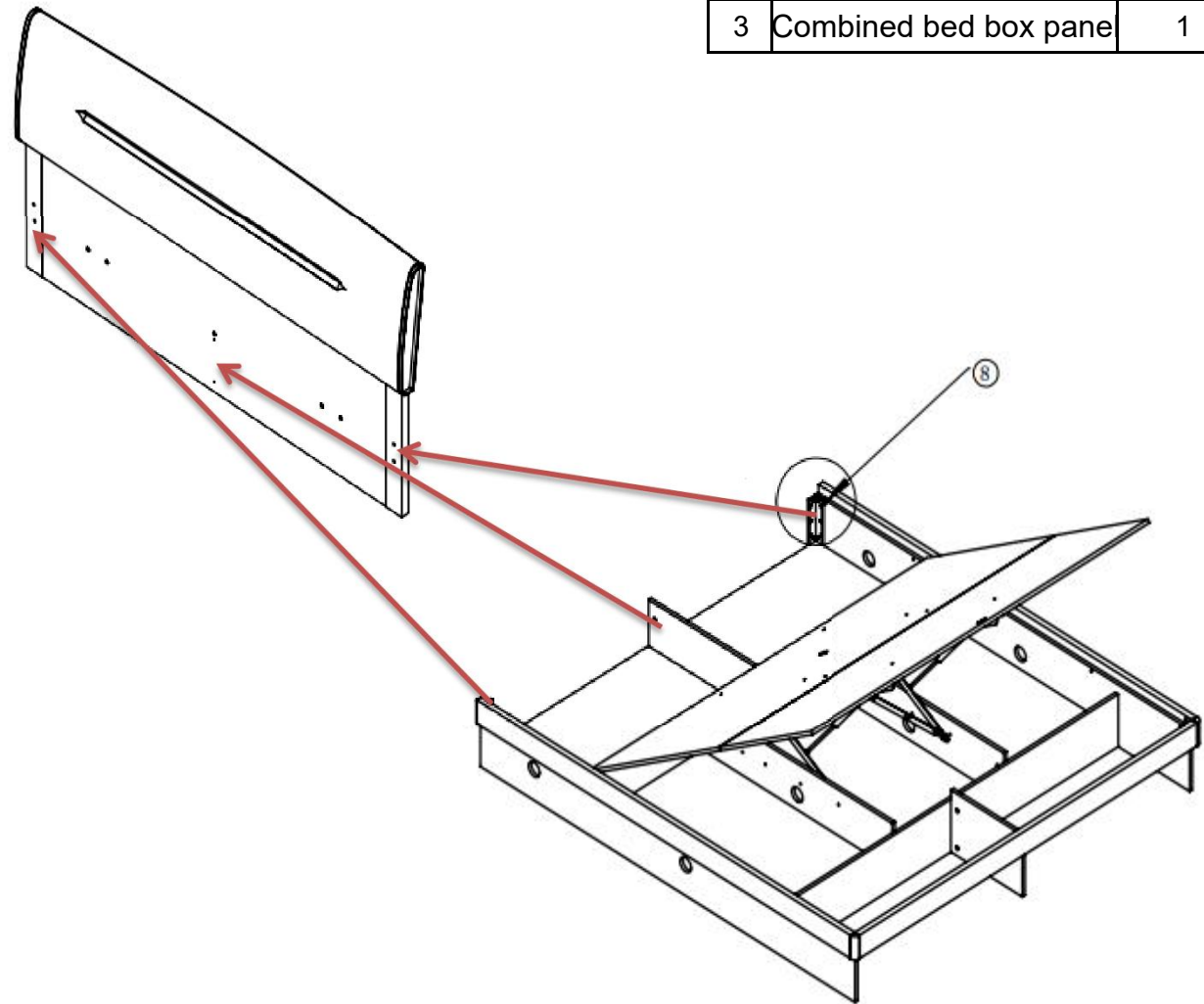
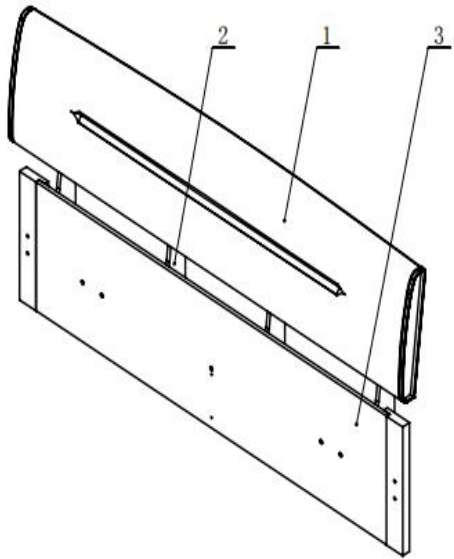
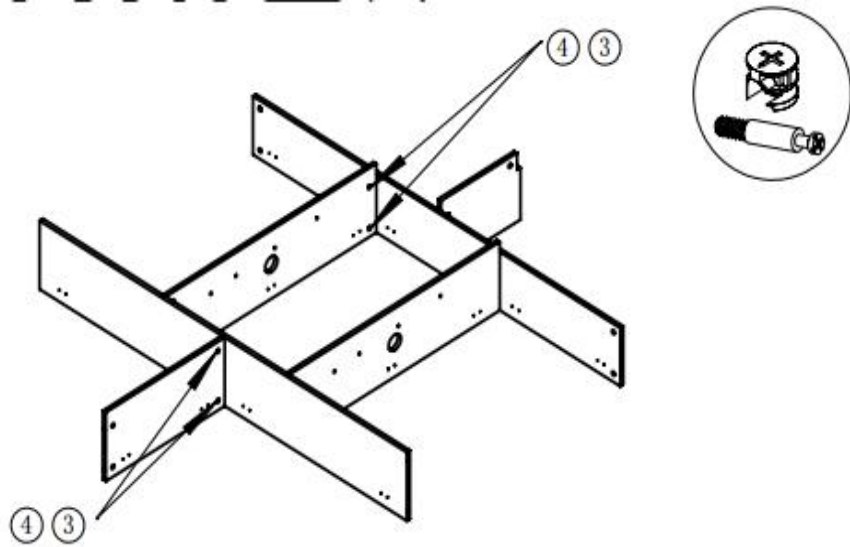
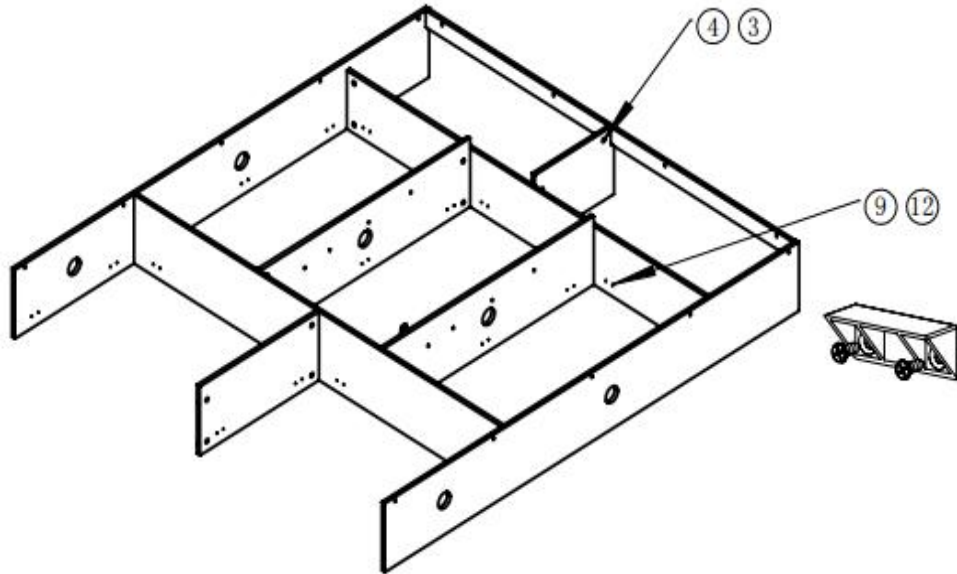


	Name	Qty.
1	Combined backrest	1
2	Support plate	4
3	Combined bed box pane	1

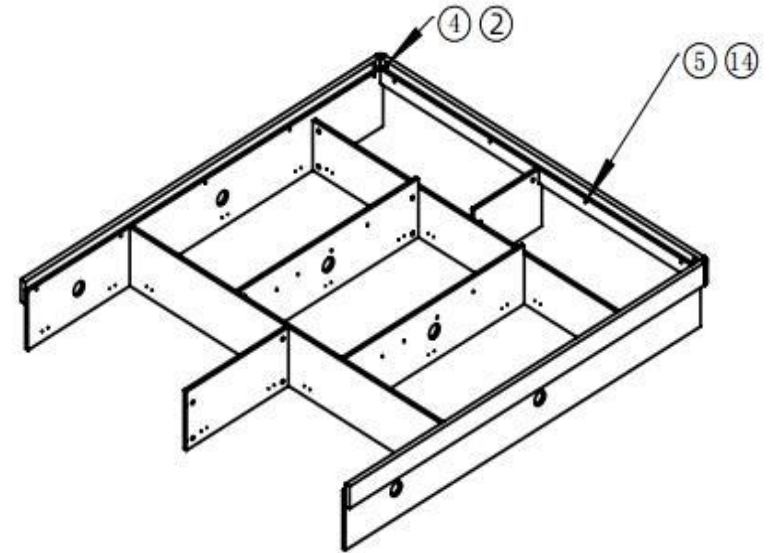




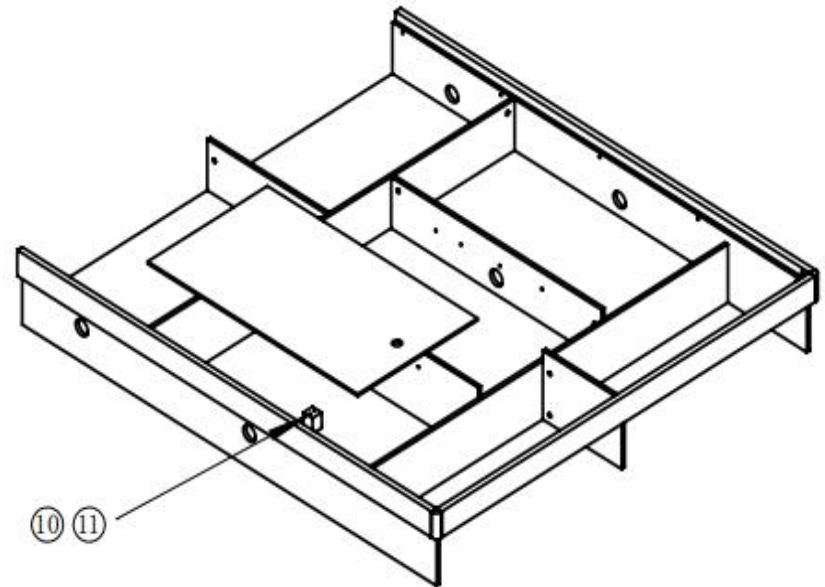
1: 13 and 14 use ④, ③ to connect to 9 and 10.  
 11 and 12 are connected using ④, ③ on the 9 and 10.



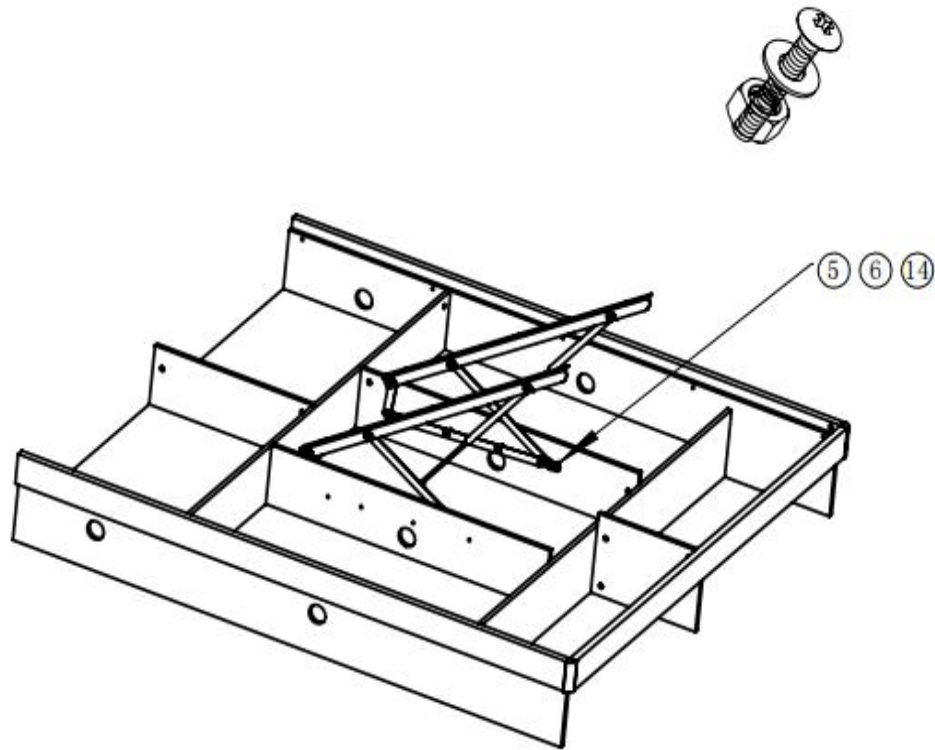
2: a. 2 Connect 12 with ④ and ③  
 b. 1 and 3 are connected with 9, 10, 2 using ④ and ③  
 c. ⑫ is fixed on each frame plate and left and right bedside by ⑨



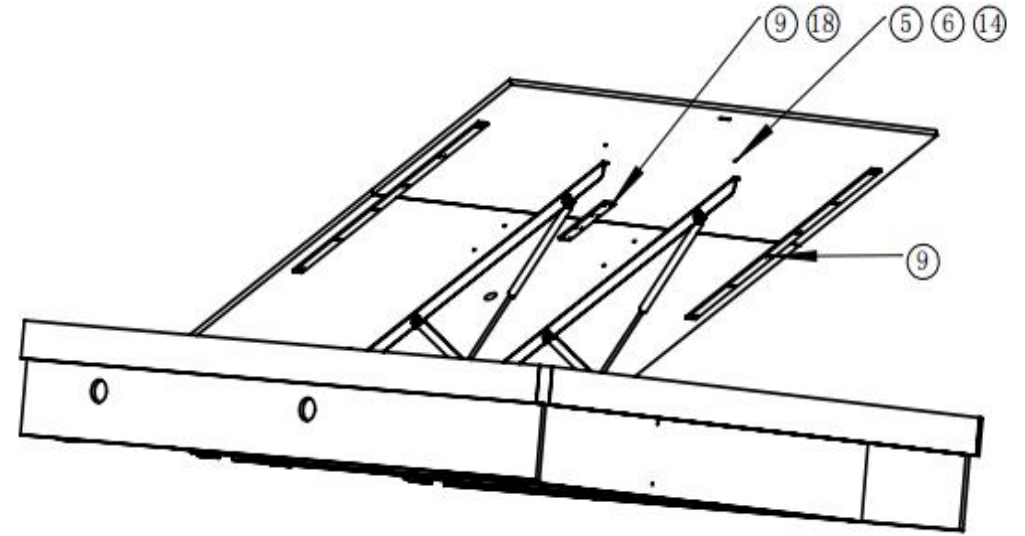
3: 4 and 8 use ④, ② to connect 7 at the same time.  
 The 4 and 8 use ⑤, ⑭ to connect 2, 1, 3 at the same time



4: 6 use ⑩、⑪ to connect each base plate,  
 then put the base plate into bed body;



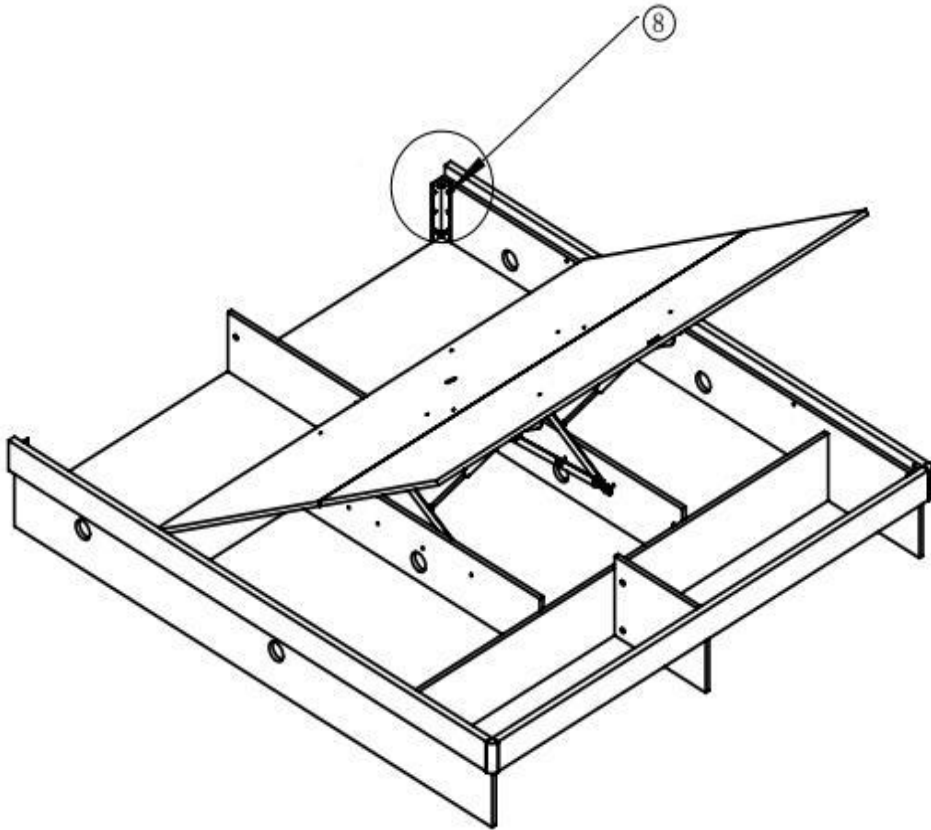
5: Hydraulic rod use ⑤, ⑭, ⑥ to connection 13, 14,  
And use ⑮ to tighten the nut.



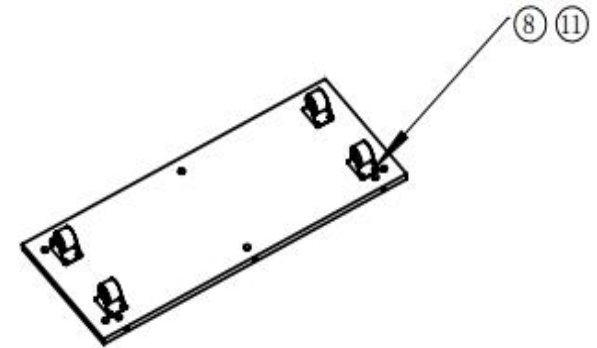
6: a. 5 Connect to 19 and 20 with ⑨.  
⑮ Connect to 19,20 using ⑨.

b. Hydraulic rod connected to 19,20 by ⑤, ⑭, ⑥.

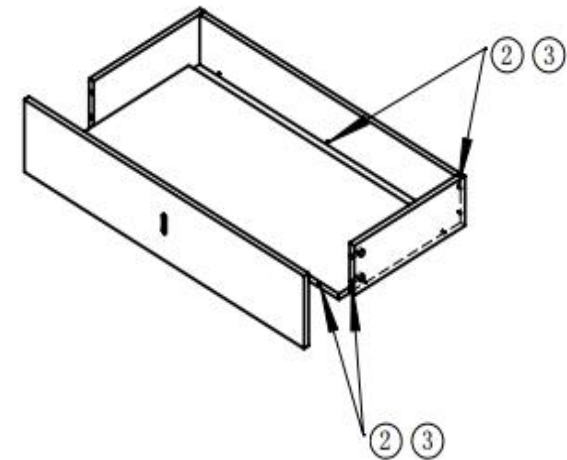
Note that the left and right ends of the rear and middle planks should be kept flat when installing them to avoid deformation after long-term use.  
And use ⑮ to tighten the nut;



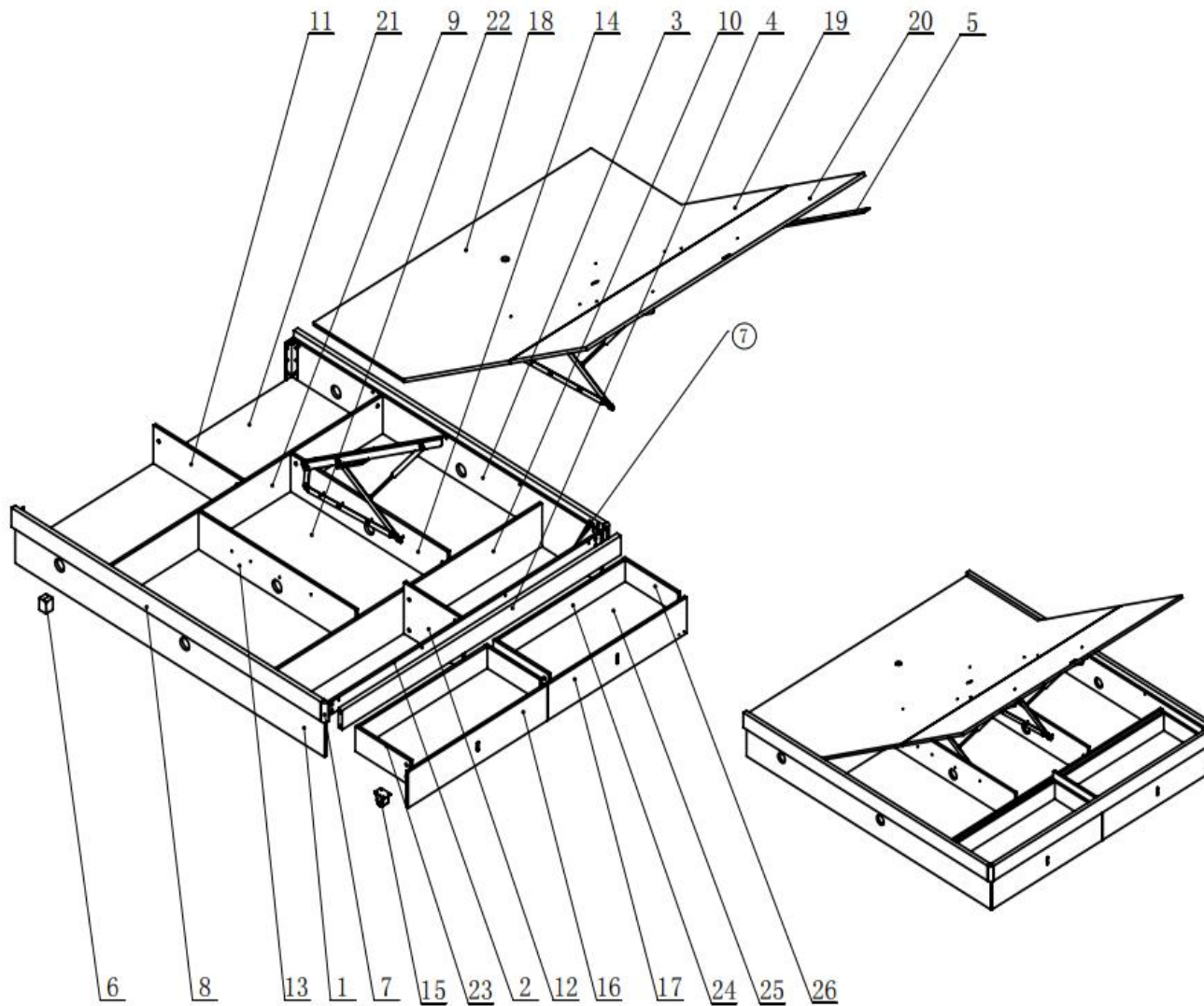
7: First use ⑧ fixed ⑰ on the bed box panel.  
 Then use ⑧ connect ⑰ on 1 and 3.  
 Cover with 18;



8: the 15 use ⑧, ⑪ to connect 25, Make  
 sure the Fixed caster are parallel





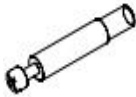











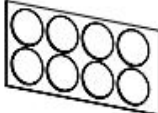


9: a. 25 Use ② and ③ to connect 24.  
 b. 23 and 26 are connected to 24 and 25 at the same time  
 with ② and ③.  
 c. 16 and 17 are connected to 25, 23 and 26 with ② and ③,  
 respectively



Item	Name	Spec.	Qty
1	Combined left long bedside	2020X265	1
2	Rear bedside		1
3	Combined right long bedside	2020X265	1
4	Rear bed end strip	1520X100	1
5	Connect plate		2
6	Plastic socle		9
7	Wrap angle	100X27	2
8	Left / right edgings	2020X100	2
9	Combined front cross frame plate	1490X265	1
10	Combined rear cross frame plate	1490X225	1
11	Combined front frame plate	580X265	1
12	Combined rear frame plate	385X265	1
13	Combined left center bed frame plate	1025X265	1
14	Combined right center bed frame plate	1025X265	1
15	Fixed caster		8
16	Left drawer surface	759X186	1
17	Right drawer surface	759X186	1
18	Front bed plank	1515X593	1
19	Middle bed plank	1515X827	1
20	Rear bed plank	1515X593	1
21	Front base plate	735X578	2
22	Middle base plate	1023X484	3
23	Left drawer side	360X128	2
24	Drawer end	681X128	2
25	Drawer base plate	681X344	2
26	Right drawer side	360X128	2
27	Hydraulic rod		2

10: Put the drawer into the bed, adjust the clearance of drawer surface to 2mm, the ⑦ installed on ② evenly, To prevent the hydraulic rod down, the plate damage. Place the end of the Drawstring⑮ containing the metal buckle inside the rear bed plank, and pass the other end through the hole in the rear bed plank. Stick the exposed fastener hole with ⑬, cover the ventilation hole with ①, installation is complete.

## Hardware List

No.	Name	Picture	Qty.	No.	Name	Picture	Qty.	No.	Name	Picture	Qty.
①	15cm air hole		6	⑧	M4*16 cross countersunk head tapping screw		52	⑮	Drawstring		1
②	Large buckle bar		8	⑨	M3.5*14 cross countersunk head tapping screw		116	⑯	Spanner		1
③	Large tapping buckle bar		63	⑩	M3*12 cross countersunk head tapping screw		18	⑰	Angle iron		2
④	Large buckle wheel		71	⑪	Dia. 4mm cupped washer		50	⑱	Black baking paint connecting plate		1
⑤	M6*25 cross bevelling nickeled screw		30	⑫	20 * 20 * 50mm Plastic angle code		46				
⑥	M6 hexagon galvanized nut		16	⑬	Furniture sticker		16				
⑦	Anti-collision rubber pad		4	⑭	Dia. 6mm flat washer		30				