

cecotec

GRANDSOMMELIER 15000 20000 24000

BLACK/INOX COMPRESSOR

Vinoteca / Wine cooler



Manual de instrucciones
Instruction manual
Manuel d'instructions
Bedienungsanleitung
Manuale di istruzioni
Manual de instruções
Handleiding
Instrukcja obsługi
Návod k použití

INDEX

1. Parts and components	29
2. Before use	29
3. Product assembly	29
4. Operation	29
5. Cleaning and maintenance	30
6. Troubleshooting	31
7. Technical specifications	31
8. Disposal of old electrical appliances	32
9. Technical support and warranty	32

SAFETY INSTRUCTIONS

Read these instructions thoroughly before using the appliance. Keep this instruction manual for future reference or new users. All safety instructions should be closely followed when using the appliance.

Do not expose the electrical connections to water. Make sure your hands are dry before handling the plug or switching on the appliance.

Unplug the device if it is not going to be used.

Do not use the appliance if its cord, plug, or housing is damaged, nor after it malfunctions or has been dropped or damaged in any way.

Protect it from sharp edges and heat sources.

This appliance is intended for home use only. Any other use will void the warranty. It is not suitable for commercial or industrial use. Do not use outdoors.

Keep the ventilation inlets clear from obstructions.

Do not use any other device to accelerate the defrosting process, other than those recommended by Cecotec.

Do not store any flammable substances inside the device.

This product is designed only for household use.

Place the appliance on a dry, stable, flat, heat-resistant surface.

Never leave the appliance unattended while in use.

If the cord or any other part of the device is damaged, contact Cecotec's technical support to replace it.

Do not use any accessory that has not been recommended by Cecotec, as they might cause injuries or damage.

Do not try to disassemble or repair the product by yourself.

Contact the official Technical Support Service of Cecotec.

Cleaning and maintenance must be carried out according to this instruction manual to make sure the appliance functions

properly.

The cleaning and maintenance of the appliance should not be carried out by children under 8 without supervision.

Store the appliance and its instruction manual in a safe and dry place when not in use.

Do not open the door for long periods.

Clean regularly the surfaces that may be in contact with the drinks.

Clean the water tank if the device has not been used for 48 hours.

If the device has been left empty for a long period, switch it off, defrost it and clean it and leave the door open to prevent the appearance of mould inside the device.

No liability is accepted for any eventual damage or personal injuries derived from misuse or non-compliance with this instruction manual.

The appliance is not intended to be used by children under the age of 8. It can be used by children over the age of 8, as long as they are given continuous supervision.

This product can be used by children and persons with reduced physical, sensory or mental capabilities or lack of experience and knowledge, as long as they have been given supervision or instruction concerning the use of the appliance in a safe way and understand the hazards involved.

Children shall not play with the appliance. Close supervision is necessary when the appliance is being used by or near children. Keep this appliance and its power cord out of reach of children under the age of 8.

1. PARTS AND COMPONENTS

Fig. 1

2. BEFORE USE

Take the product out of the box.

Remove all packaging material. Save the original box.

Make sure all parts and components are included and in good conditions. If any visible signs of damage are observed, contact the Technical Support Service immediately.

3. PRODUCT ASSEMBLY

This device is designed to operate upright and should not be built-in.

Place the device on a flat, stable surface. To level the device, adjust its legs.

Do not install the device inside of a cabinet or any other place where you cannot see the front part of the device.

There should be at least a 10-cm clearance between the device and its surroundings.

Do not place the device on a moist room or under direct sunlight or any other source of heat.

Inox models include handle and screws. To install the handle properly, follow the below instructions.

Slowly remove the door's inner protection from the top part, you will see a whole.

Introduce the screw and push it to the end. The screw must be inserted completely straight, in such way that it comes out the other side of the door.

Repeat these step on the inner part of the door and when both screws are installed in place, fix the handle by tightening it with a screwdriver.

After plugging the device in, allow it to cool down for 2-3 hours before storing any bottle inside it.

Note: Remember to keep some water inside the cabinet to keep the humidity.

4. OPERATION

Fig. 2

Buttons:

Unlocking button

Press this button for 2 seconds to unlock the device.

Power/Temperature unit button

Short press this button to turn the device on or off.

Long press to switch the temperature unit between Fahrenheit and Celsius.

Temperature increasing/decreasing buttons

Automatic-locking function

The device will lock automatically after 20 seconds if the user does not press any button.

After locking it, the increase/decrease buttons cannot be used but the unlocking and power button can operate normally.

Auto light off function

The lamp will automatically turn off after 10 minutes without operation.

Adjustable range

Minimum value: 5 °C/41 °F

Maximum value: 18 °C/ 64 °F

Display range

Control panel's temperature display range: 0-37 °C/32-99 °F

The temperature measured by the temperature sensor will be displayed ± 1 °C (if the user has selected Celsius as the temperature unit) and ± 2 °F (if Fahrenheit) from the set temperature.

Error code

EE: "EE" will be displayed when the temperature sensor short-circuits or it is disconnected. It will flash and the refrigeration will stop.

LL: When the temperature sensor measures a temperature lower than 0 °C, "LL" will be displayed flashing and the cooling will stop.

HH: When the temperature sensor measures a temperature higher than 37 °C, "HH" will be displayed flashing and the cooling will stop.

5. CLEANING AND MAINTENANCE

Disconnect the appliance from the power supply and allow it to cool down before cleaning.

Use a soft, damp cloth to clean the device's surface.

Do not immerse the appliance in water or other liquid.

Do not use abrasive cleaners or scouring pads to clean the product.

6. TROUBLESHOOTING

Problem	Possible cause
The device does not work.	Check if it is plugged in. The circuit breaker tripped or a fuse is blown.
Turns on and off frequently.	The room temperature is too hot. The device is too full. The door is opened too often. The door is not totally closed. The temperature control is not set correctly. The door's gasket does not seal properly. The device is too close to the wall or other objects.
The device vibrates.	The device is not set on a stable surface.
The device makes too much noise.	The rattling noise may be caused by the refrigerant's flow, which is perfectly normal. As each cycle ends, you may hear a gurgling sound caused by the flowing of the refrigerant liquid in your device. The device is not set on a stable surface. The inside walls may contract and expand, and this may produce a cracking noise.
The door does not close properly.	The device is not set on a stable surface. Dust tank is not installed correctly. The door's gasket is dirty or bent. The shelves, bins or baskets are out of position.
There are water droplets or a layer of ice.	Turn the device off for 30-40 minutes and pour out the water inside it.

7. TECHNICAL SPECIFICATIONS

Product:

GrandSommelier 15000 Black Compressor

GrandSommelier 20000 Black Compressor

GrandSommelier 24000 Black Compressor

GrandSommelier 15000 Inox Compressor

GrandSommelier 20000 Inox Compressor

GrandSommelier 24000 Inox Compressor

ENGLISH

Product reference: 02340-02341-02342-02343-02344-02345

Voltage: 220-240 V~

Rated current: 0.6 A

Refrigerant: R600a (21 g)

Lamp power: 1 W

Climate class: N; SN; ST; T

Foaming Gas: Cyclopentane

8. DISPOSAL OF OLD ELECTRICAL APPLIANCES



The European directive 2012/19/EU on Waste Electrical and Electronic Equipment (WEEE), specifies that old household electrical appliances must not be disposed of with the normal unsorted municipal waste. Old appliances must be collected separately, in order to optimise the recovery and recycling of the materials they contain and reduce the impact on human health and the environment.

The crossed out "wheeled bin" symbol on the product reminds you of your obligation to dispose of the appliance correctly. If the product has a built-in battery or uses batteries, they should be removed from the appliance and disposed of appropriately.

Consumers must contact their local authorities or retailer for information concerning the correct disposal of old appliances and/or their batteries.

9. TECHNICAL SUPPORT AND WARRANTY

This product is under warranty for 2 years from the date of purchase, as long as the proof of purchase is submitted, the product is in perfect physical condition, and it has been given proper use, as explained in this instruction manual.

The warranty will not cover the following situations:

The product has been used for purposes other than those intended for it, misused, beaten, exposed to moisture, immersed in liquid or corrosive substances, as well as any other fault attributable to the customer.

The product has been disassembled, modified, or repaired by persons, not authorised by the official Technical Support Service of Cecotec.

Faults deriving from the normal wear and tear of its parts, due to use.

The warranty service covers every manufacturing defects of your appliance for 2 years, based on current legislation, except consumable parts. In the event of misuse, the warranty will not apply.

If at any moment you detect any problem with your product or have any doubt, do not hesitate to contact Cecotec Technical Support Service at +34 963 210 728.

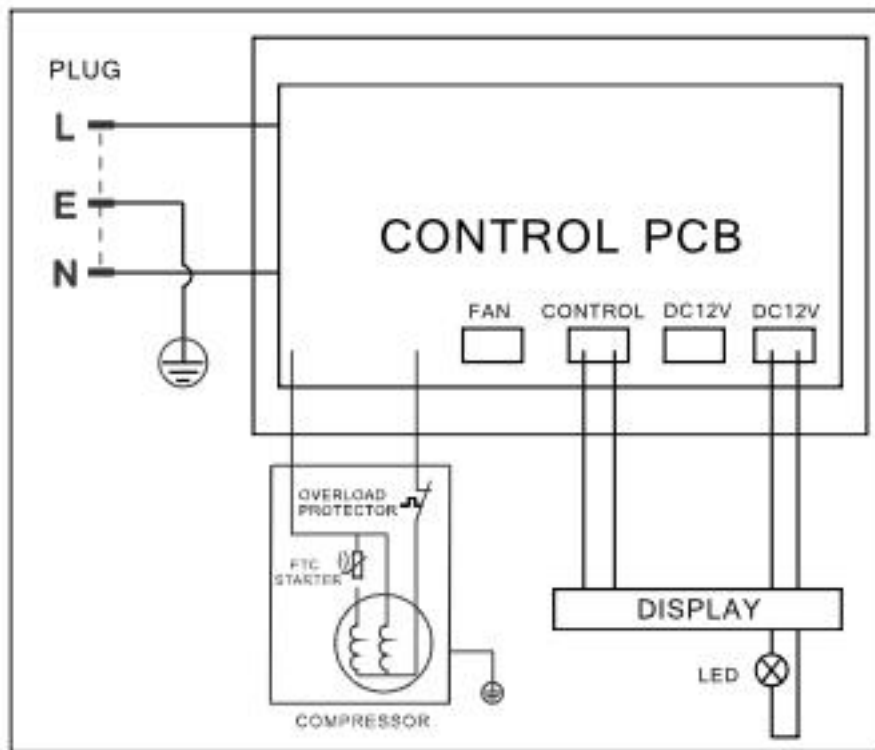


Fig./Img./Abb./Afb./ Rys./Obr. 1



Fig./Img./Abb./Afb./ Rys./Obr. 2

www.cecotec.es

Grupo Cecotec Innovaciones S.L.
C/ de la Pinadeta s/n, 46930
Quart de Poblet, Valencia (Spain)

IC02201119