

# cecotec

## GRANDHEAT 2590 BUILT-IN STEEL BLACK

Microondas encastrables/ Built-in microwave



Manual de instrucciones  
Instruction manual  
Manuel d'instructions  
Bedienungsanleitung  
Manuale di istruzioni  
Manual de instruções  
Instrukcja obsługi  
Návod k použití

## INDEX

1. Parts and components	64
2. Before use	64
3. Product installation	64
4. Operation	66
5. Cleaning and maintenance	70
6. Troubleshooting	71
7. Technical specifications	71
8. Disposal of old electrical appliances	71
9. Technical support and warranty	72



## SAFETY INSTRUCTIONS

Read these instructions thoroughly before using the appliance. Keep this instruction manual for future reference or new users. Make sure that the mains voltage matches the voltage stated on the rating label of the appliance and that the outlet is grounded.

This appliance must be grounded.

This device is equipped with a cord having a grounding wire with a grounding plug. It must be plugged into a wall receptacle that is properly installed and grounded. In the event of an electrical short circuit, grounding reduces risk of electric shock by providing an escape wire for the electric current.

Do not operate outdoors.

This appliance is intended for domestic use only. It is specifically designed to heat, cook or dry food. It is not designed for industrial or laboratory use.

Use this appliance only for intended purposes as described in this manual. Do not use corrosive chemicals or vapours in this appliance, it is not designed for industrial or laboratory use.

If the door or door seals are damaged, the product must not be operated until it has been repaired.

Do not operate the device when empty.

Do not attempt to operate the device with the door open since open door operation can result in harmful exposure to microwave energy.

Do not operate this appliance if it has a damaged cord or plug or if it is not operating properly. In case the device does not operate correctly, please contact our Technical Support Service of Cecotec.

Only use utensils that are suitable for microwaves. Make sure utensils do not touch the interior walls during operation.

Do not use the microwave cavity for storage purposes.

Do not attempt to deep-fry in this device.

In order to reduce fire risk:

Do not overcook food.

Remove wire twist-ties from paper or plastic bags before placing them inside the microwave.

Do not place the device where heat, moisture, or high humidity are generated, or near combustible materials.

Do not heat liquids or other foods in sealed containers.

Do not use the cavity for storage purposes. Do not leave paper products, cooking utensils or food in the cavity when not in use.

In case of smoke or fire inside the device, keep the door closed, turn the product off and disconnect it from the power supply.

After operating, the container is likely to be very hot. Use gloves in order to avoid burns and injuries.



All parts of the device will be very hot during and after operation, including door and top part of the microwave. Remember to use gloves or any other type of protection.

Technical service and reparations that involve cover removals or exposure to cables must always be carried out by a competent, professional and qualified person.

Supervise young children to make sure that they do not play with the appliance. It can be used by children over 8 if they are continually supervised.

This appliance is not intended to be used by persons with reduced physical, sensory, or mental capabilities, or lack of experience or knowledge, unless they have been given supervision or instruction concerning the use of the appliance in a safe way by a person responsible for their safety, and understand the hazards involved.

Supervise young children to make sure that they do not play with the appliance. Close supervision is necessary when the

appliance is being used by or near children.

This product is a Group 2 Class B ISM equipment. The definition of Group 2 which contains all ISM (Industrial, Scientific and Medical) equipment in which radio-frequency energy is intentionally generated and/or used in the form of electromagnetic radiation for the treatment of material, and spark erosion equipment. Class B equipment is suitable for domestic use and in establishments directly connected to a low voltage power supply network, which supplies buildings used for domestic purpose.

#### Microwave-safe materials

Utensils	Remarks
Browning dish	Follow the manufacturer's instructions. The bottom of browning dish must be at least 3/16 inch (5 mm) above the glass tray. Incorrect usage may cause the glass tray to break.
Dinnerware	Microwave-safe only. Follow the manufacturer's instructions. Do not use cracked or chipped dishes.
Glass jars	Always remove the lid. Use only to heat food until just warm. Most glass jars are not heat resistant and may break.

Glassware	Heat-resistant microwave glassware only. Make sure there is no metallic trim. Do not use cracked or chipped dishes.
Microwave cooking bags	Follow manufacturer's instructions. Do not close with metal tie. Make slits to allow steam to escape.
Paper plates and cups	Use for short-term cooking/warming only. Do not leave microwave unattended while cooking.
Paper towels	Use to cover food for reheating and absorbing fat. Use with supervision for a short-term cooking only.
Parchment paper	Use as a cover to prevent splattering or a wrap for steaming.
Plastic	Microwave-safe only. Follow the manufacturer's instructions. Should be labelled "Microwave Safe". Some plastic containers soften, as the food inside gets hot. "Boiling bags" and tightly closed plastic bags should be slit, pierced or vented as directed by package.

Plastic wrap	Microwave-safe only. Use to cover food during cooking to retain moisture. Do not allow plastic wrap to touch food.
Thermometer	Microwave-safe only (meat and candy thermometers).
Wax paper	Use as a cover to prevent splattering and retain moisture.

### Materials to be avoided in microwaves

Utensils	Remarks
Aluminium tray	May cause arcing. Transfer food into microwave-safe dish.
Food carton with metal handle	May cause arcing. Transfer food into microwave-safe dish.
Metal or metal-trimmed utensils	Metal shields the food from microwave energy. Metal trim may cause arcing.
Metal twist ties	May cause arcing and could cause a fire in the microwave.
Paper bags	May cause a fire in the microwave.
Plastic foam	Plastic foam may melt or contaminate the liquid inside when exposed to high temperature.



Wood

Wood will dry out when used in the microwave and may split or crack.

## 1. PARTS AND COMPONENTS

Img. 1.

1. Control panel
2. Glass tray shaft
3. Glass tray ring assembly
4. Glass tray
5. View window
6. Door
7. Safety lock system
8. Grill rack (Only suitable for Grill function, must be placed on the glass tray)

Img.16

1. Micro/Grill/Combi
- 2- Weight/Time defrost
3. Timer/Clock
4. Knob (increase/decrease)
5. Stop/Clear
6. Start/+30Sec/Confirmar
7. Door opening button

## 2. BEFORE USE

Take the product out of the box. If the microwave has a protective film, tear it off before starting operation. Check carefully if there is any damage, and if there is, immediately notify the Technical Support Service.

The product must be placed on a flat, stable and dry place and kept away from corrosive materials, heat and humidity, such as gas burners or water.

The product must be placed in such way that the plug is accessible and must ensure an effective grounding in case of leakage in order to avoid electric shocks.

The microwave door must be closed in order to operate.

In case there is any manufacturing rests in the microwave cavity or on the heating elements, leave the microwave open to ensure good ventilation. In such case, it is recommended to heat a glass of water at high power for several times.

Warning: Do not remove the mica cover that is attached to the microwave cavity to protect the magnetron.

## 3. PRODUCT INSTALLATION

Glass tray installation

Img. 2.

- a. Hub
- b. Glass tray
- c. Glass tray shaft
- d. Glass tray ring assembly

When installing the glass tray:

Never place the glass tray upside down.

Both glass tray and glass tray ring assembly must always be used during cooking.

All food and food containers must always be placed on the glass tray for cooking.

If the glass tray or the ring assembly cracks or breaks, contact the Technical Support Service of Cecotec.

Note: This appliance is intended for built-in use only. It is not intended for counter-top use or for use inside a cupboard. The appliance must be installed in a 60-cm wide wall-mounted cupboard.

#### Electrical connections

If the plug is no longer accessible after installation, an all-pole isolating switch must be on one of the sides with a contact gap of 3 mm.

The fitted cabinet must not have a back wall behind the appliance.

The minimum height installation must be 85 cm.

Do not cover the ventilation slots.

#### Microwave

Img. 3.

Screw A

Img. 4.

Screw B

Img. 5.

Mounting plate

Img. 6.

Plastic cover

Img. 7.

#### Built-in furniture

Img. 8.

#### Preparing the cabinet

Img. 9.

Read the instructions on the bottom of the cabinet. Put the template on the bottom plane of the cabinet.

Img. 10.

Make the marks on the bottom part of the cabinet according to the "a" marks on the template.

Img. 11.

Remove the bottom cabinet template and fix the mounting plate with screw A.

#### Microwave installation

## ENGLISH

Img. 12.

Install the microwave in the cabinet. Make sure the back of the device is locked by the mounting plate. Do not trap the power cord.

Fig. 13.

Open the door, fix the microwave onto the cabinet with screw B through the installation hole. Then, fix the plastic cover onto the installation hole.

## 4. OPERATION

### Clock setting

When the device is plugged in, it will beep once and the display will show "0:00".

Press Clock/Timer to set the time. The hour digits will blink.

Turn the knob to set the desired hour, from 00-23.

Press Clock/Timer. The minutes digits will blink.

Turn the knob to set the desired minutes, from 00-59.

Press Clock/Timer to save the time settings. ":" will flash and the time will light.

### Note:

If the clock is not set, the current time will not be displayed when the device is turned on.

During the process of clock setting, press " Stop/Clear ", to go back to the previous status automatically.

### Microwave cooking

Press Microwave/Grill/Combi once. "P100" will be displayed on the screen.

Press Microwave/Grill/Combi several times or turn the knob to select the microwave power: "P100", "P80", "P50", "P30" or "P10".

Press Start/+30sec/Confirm to confirm.

Turn the knob to set the desired cooking time. The set time should be 0:05-95:00.

Press Start/+30sec/Confirm to start cooking.

Example: Cooking at 80 % microwave power for 20 minutes.

Press Microwave/Grill/Combi once. "P100" will be displayed on the screen.

Press Microwave/Grill/Combi again or turn the knob to select 80 % microwave power.

Press Start/+30sec/Confirm to confirm. The screen will display "P80".

Turn the knob to set the desired cooking time: "20:00".

Press Start/+30sec/Confirm to start cooking.

0---1 min: 5 seconds

1---5 min: 10 seconds

5---10 min: 30 seconds

10---30 min: 1 minute

30---95 min: 5 minutes

#### Microwave/Grill/Combi power chart

Press	Display	Microwave power	Grill power
1	P100	100 %	
2	P80	80 %	
3	P50	50 %	
4	P30	30 %	
5	P10	10 %	
6	G	0 %	100 %
7	C-1	55 %	45 %
8	C-2	36 %	64 %

#### Grill/Combi cooking

Press Microwave/Grill/Combi once. "P100" will be displayed on the screen.

Press Microwave/Grill/Combi repeatedly or turn the knob to select the desired cooking program: "G", "C-1" or "C-2".

Press Start/+30sec/Confirm to confirm.

Turn the knob to set the desired cooking time, from 0:05 to 95:00.

Press Start/+30sec/Confirm to start cooking.

Example: Cooking at 55 % microwave power and 45 % grill power (C-1) for 10 minutes.

Press Microwave/Grill/Combi once. "P100" will be displayed on the screen.

Press Microwave/Grill/Combi 4 times or turn the knob to select Combi. 1 mode.

Press Start/+30sec/Confirm to confirm. The screen will display "C-1".

Turn the knob to set the desired cooking time: "10:00".

Press Start/+30sec/Confirm to start cooking.

Note: Half-way through the cooking process, the device will stop operating and will beep twice. This is to remind you to turn food over in order for it to be cooked evenly. Once you have turned it over, press Start/+30sec/Confirm to continue cooking.

#### QuickStart

When this program is selected, the device will quickly cook food at top power (100 % power output). The maximum cooking time for this program is 95 minutes.

Open the door and place the food inside the microwave. Close the door.

In standby mode, press Start/+30sec/Confirm to start cooking at 100 % power level. Each press will increase the cooking time by 30 seconds.

## ENGLISH

In Microwave, Grill, Combi or Time defrost modes, each press will increase the cooking time by 30 seconds.

In standby mode, turn the knob anticlockwise to set the cooking time (100 % power level cannot be changed).

After adjusting time, tap Start/+30sec/Confirm to start cooking.

Note: Under Auto menu and Weight defrost modes, the cooking time cannot be modified.

### Weight defrost

Press Weight/Time defrost once, the display will show "dEF1".

Turn the knob to set the weight of food, from 100 g to 2000 g.

Press Start/+30sec/Confirm to start the defrost process.

### Time defrost

Press Weight/Time defrost twice, the oven will display "dEF2".

Turn the knob to set the desired defrost time.

The maximum time is 95 minutes.

Press Start/+30sec/Confirm to start the defrost process.

### Timer

Press the Clock/Timer button, the display will show 00:00.

Turn the knob to set the desired cooking time. The maximum time is 95 minutes.

Press Start/+30sec/Confirm to confirm.

When the set time is over, the device will beep 5 times.

Note: If the clock has been set (24-hour system), the display will show the current time.

### Auto menu

In standby mode, turn the knob clockwise to select the desired Auto menu function.

Press Start/+30sec/Confirm to confirm the menu.

Turn the knob to select the food weight according to the menu chart.

Press Start/+30sec/Confirm to start cooking.

Example: Setting the Auto menu to cook 350 g of fish.

In standby mode, turn the knob clockwise to select menu "A-6".

Press Start/+30sec/Confirm to confirm the menu.

Turn the knob to select the food weight until "350" is displayed.

Press Start/+30sec/Confirm to start cooking.

Auto menus:

Menu	Weight	Display
A-1 Pizza	200 g	200
	400 g	400
A-2 Meat	250 g	250
	350 g	350
	450 g	450
A-3 Vegetable	200 g	200
	300 g	300
	400 g	400
A-4 Pasta	50 g (with 450 g cold water)	50
	100 g (with 800 g cold water)	100
A-5 Potato	200 g	200
	400 g	400
	600 g	600
A-6 Fish	250 g	250
	350 g	350
	450 g	450
A-7 Beverage	1 cup (120 ml)	1
	2 cups (240 ml)	2
	3 cups (360 ml)	3
A-8 Popcorn		
	50 g	50
	100 g	100

#### Multi-sequence cooking

A maximum of 2 sequences can be set for a cooking process. If one of the sequences included is defrosting, it should be set as the first one.

Example: Defrost food for 5 minutes, then cook with 80 % microwave power for 7 minutes.

Press the Weight/Time defrost button, the display will show "dEF2".

Turn the knob to set 5 minutes of defrost time, "5:00".

Press Microwave/Grill/Combi once, the screen will display "P100".

## ENGLISH

Press Microwave/Grill/Combi again or turn the knob to select 80 % microwave power.

Press Start/+30sec/Confirm to confirm. The screen will display "P80".

Turn the knob to adjust the cooking time to 7 minutes. The screen will display "7:00".

Press Start/+30sec/Confirm to start cooking.

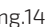
The device will beep each time a sequence is completed. When the whole process is completed, the device will beep 5 times.


### Checking settings

During operation, press Microwave/Grill/Combi, the current power level will be displayed for 3 seconds.

During operation, press Clock/Timer, the current time will be displayed for 3 seconds.

### Child lock system

In standby mode, press Stop/Clear for 3 seconds. The device will emit a long beep indicating this function has been activated. 14

The current time will be displayed if the clock is set. The following icon will also be displayed: 15.

In standby mode, press Stop/Clear for 3 seconds. The device will emit a long beep indicating this function has been deactivated.

## 5. CLEANING AND MAINTENANCE

The device, as well as food rests, must be cleaned and removed regularly.

Unplug the cable from the power supply before starting the cleaning. Do not immerse the product in water or any other fluid during cleaning.

The lack of maintenance and cleaning of the product may cause a deterioration on its surface and affect its lifespan.

Do not use strong detergents, powder abrasives or metal brushes to clean the device.

Do not remove the mica plate.

When the microwave has been used for a long time, some strong odours may arise from inside.

In order to get rid of them, follow one of the steps below:

Place several lemon slices in a cup and heat them at high power for 2 or 3 minutes.

Place a cup of red tea inside the microwaves and heat it at high power for 2 or 3 minutes.

Place orange peels inside the microwaves and heat it at high power for 1 minute.

Use a dampened soft cloth to clean enclosures, door, interior walls and the door frame.

Warning: All maintenance tasks must be strictly carried out by qualified technical personnel.



## 6. TROUBLESHOOTING

Problem	Cause	Solution
The device does not turn on	The power cord is not plugged in properly.	Disconnect it and connect it again after 10 seconds.
	Fuse blow or short circuit.	Contact the Technical Support Service of Cecotec.
	Faulty power outlet.	Test the power outlet with a different appliance.
The device does no heat	Door not closed properly.	Close the door properly.

## 7. TECHNICAL SPECIFICATIONS

01395 GrandHeat 2590 Built-In Steel Black  
 Rated input power (Microwave): 1450 W  
 Rated output power (Microwave): 900 W  
 Rated input power (Grill): 1000 W  
 230 V ~ 50 Hz  
 Capacity: 25L  
 Made in China | Designed in Spain

## 8. DISPOSAL OF OLD ELECTRICAL APPLIANCES



The European directive 2012/19/EU on Waste Electrical and Electronic Equipment (WEEE), specifies that old household electrical appliances must not be disposed of with the normal unsorted municipal waste. Old appliances must be collected separately, in order to optimise the recovery and recycling of the materials they contain and reduce the impact on human health and the environment.

The crossed out "wheeled bin" symbol on the product reminds you of your obligation to dispose of the appliance correctly. Consumers must contact their local authorities or retailer for information concerning the correct disposal of old appliances and/or their batteries.

## 9. TECHNICAL SUPPORT AND WARRANTY

This product is under warranty for 2 years from the date of purchase, as long as the proof of purchase is submitted, the product is in perfect physical condition, and it has been given proper use, as explained in this instruction manual.

The warranty will not cover the following situations:

The product has been used for purposes other than those intended for it, misused, beaten, exposed to moisture, immersed in liquid or corrosive substances, as well as any other fault attributable to the customer.

The product has been disassembled, modified, or repaired by persons, not authorised by the official Technical Support Service of Cecotec.

Faults deriving from the normal wear and tear of its parts, due to use.

The warranty service covers every manufacturing defects of your appliance for 2 years, based on current legislation, except consumable parts. In the event of misuse, the warranty will not apply.

If at any moment you detect any problem with your product or have any doubt, do not hesitate to contact Cecotec Technical Support Service at +34 963 210 728.

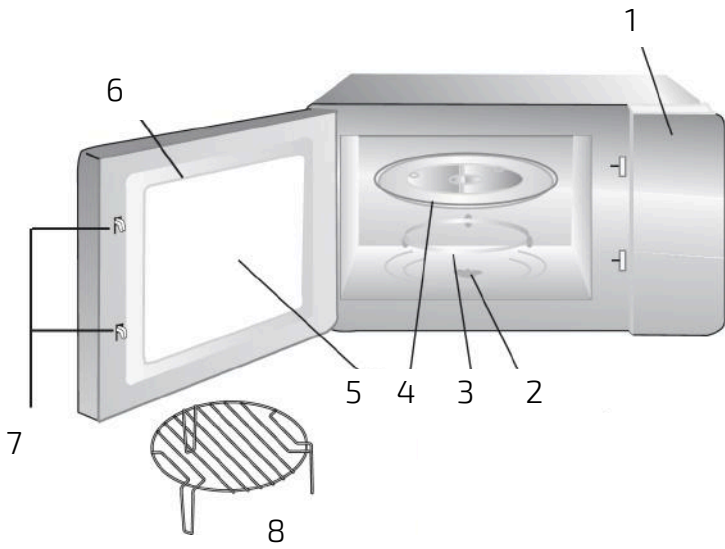


Fig./Img./Abb./Afb./ Rys./Obr. 1

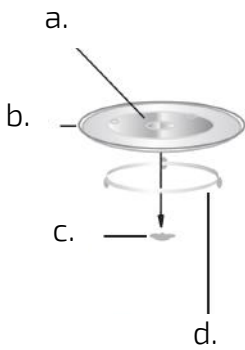


Fig./Img./Abb./Afb./ Rys./Obr. 2

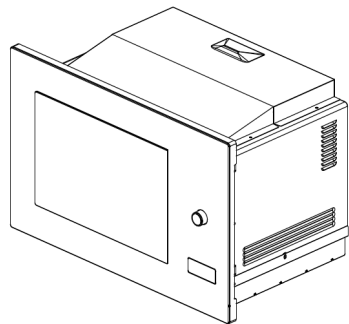


Fig./Img./Abb./Afb./ Rys./Obr. 3



\*Fig./Img./Abb./Afb./  
Rys./Obr. 4



Fig./Img./Abb./Afb./  
Rys./Obr. 5



Fig./Img./Abb./Afb./  
Rys./Obr. 6



Fig./Img./Abb./Afb./  
Rys./Obr. 7

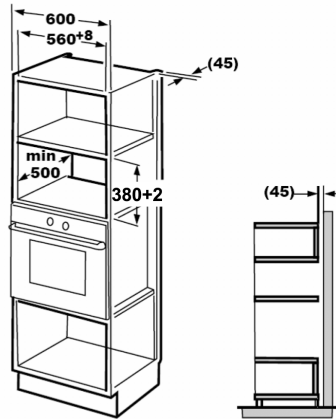


Fig./Img./Abb./Afb./  
Rys./Obr. 8

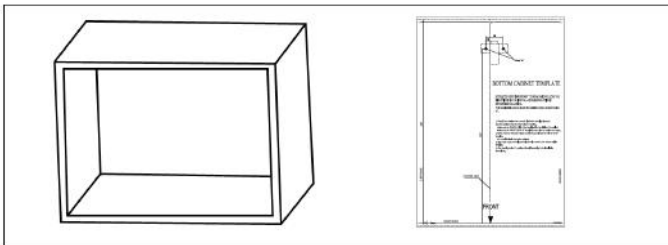


Fig./Img./Abb./Afb./  
Rys./Obr. 9

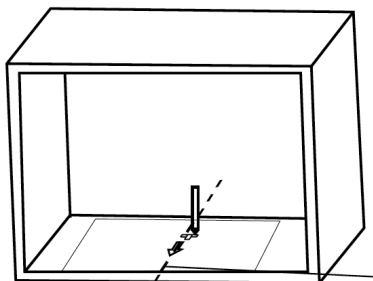


Fig./Img./Abb./Afb./  
Rys./Obr. 10

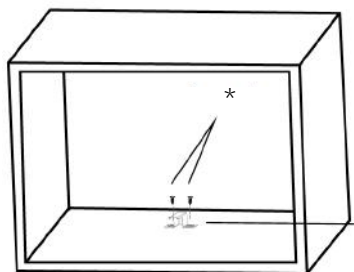


Fig./Img./Abb./Afb./  
Rys./Obr. 11

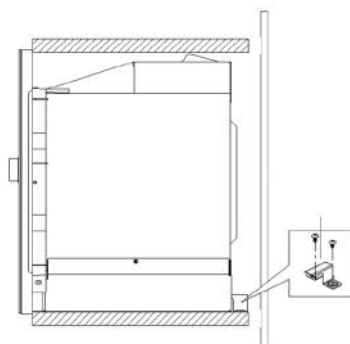
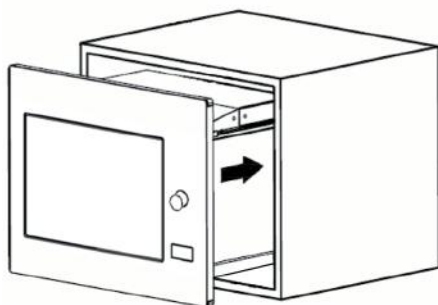


Fig./Img./Abb./Afb./  
Rys./Obr. 12

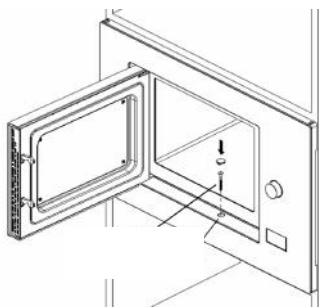


Fig./Img./Abb./Afb./  
Rys./Obr. 13



Fig./Img./Abb./Afb./  
Rys./Obr. 14



Fig./Img./Abb./Afb./  
Rys./Obr. 15

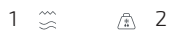


Fig./Img./Abb./Afb./  
Rys./Obr. 16

[www.cecotec.es](http://www.cecotec.es)

Grupo Cecotec Innovaciones S. L.  
C/de la Pinadeta s/n, 46930  
Quart de Poblet, Valencia, Spain

EA01Z00630