

## GARMENT STEAMER 5000 SERIES

# USER MANUAL

MY-GD20D2W

Warning notices: Before using this product, please read this manual carefully and keep it for future reference. The design and specifications are subject to change without prior notice for product improvement. Consult with your dealer or manufacturer for details. The diagram above is just for reference. Please take the appearance of the actual product as the standard.

## THANK YOU LETTER

Thank you for choosing Midea! Before using your new Midea product, please read this manual thoroughly to ensure that you know how to operate the features and functions that your new appliance offers in a safe way.

# CONTENTS

THANK YOU LETTER .....	01
SAFETY INSTRUCTIONS .....	02
SPECIFICATIONS .....	07
PRODUCT OVERVIEW .....	08
PRODUCT INSTALLATION .....	09
OPERATION INSTRUCTIONS .....	11
CLEANING AND MAINTENANCE .....	15
TROUBLESHOOTING .....	16
TRADEMARKS, COPYRIGHTS AND LEGAL STATEMENT	17
DATA PROTECTION NOTICE .....	18

# SAFETY INSTRUCTIONS

## Intended Use

The following safety guidelines are intended to prevent unforeseen risks or damage from unsafe or incorrect operation of the appliance. Please check the packaging and appliance on arrival to make sure everything is intact to ensure safe operation. If you find any damage, please contact the retailer or dealer. Please note modifications or alterations to the appliance are not allowed for your safety concern. Unintended use may cause hazards and loss of warranty claims.

## Explanation of Symbols



### Danger

This symbol indicates that there are dangers to the life and health of persons due to extremely flammable gas.



### Warning of electrical voltage

This symbol indicates that there is a danger to life and health of persons due to voltage.



### Warning

The signal word indicates a hazard with a medium level of risk which, if not avoided, may result in death or serious injury.



### Caution

The signal word indicates a hazard with a low degree of risk which, if not avoided, may result in minor or moderate injury.



### Attention

The signal word indicates important information (e.g. damage to property), but not danger.



### Observe instructions

This symbol indicates that a service technician should only operate and maintain this appliance in accordance with the operating instructions.

Read these operating instructions carefully and attentively before using/commissioning the unit and keep them in the immediate vicinity of the installation site or unit for later use!

Before use, please read the Safety Cautions completely, and use the appliance in accordance with the requirements to avoid any damage to persons or properties.

### **Caution**

- To prevent the hose from forming a U-shape, always place the steamer on the floor to ensure that the hose is straight. If you hear an excessive croaking sound or if the steam output is irregular, lift the steamer head from time to time to straighten the hose. This allows any condensation to flow back into the water tank.
- After use, please turn off the switch, and pull off the plug. During pouring away water or cleaning, be sure to switch off, and keep the garment steamer cooling down for at least 10min to avoid scald by hot water.
- When moving the appliance, hold the appliance body for movement.
- Never drag the appliance by pulling the power cord.
- Never immerse the appliance in water or any other liquid, nor rinse it under the tap.
- To store the appliance, make sure that the garment steamer has cooled down, and water has been discharged from the machine.

## **⚠ Warning**

- Never use this appliance for any purpose other than ironing clothes.
- Never use other high-power electric appliance on the same socket to avoid overload of circuits.
- Never dismantle this appliance on your own. Any person other than qualified personnel shall not dismantle and repair the appliance, and otherwise it may cause fire, electric shock or personal injury.
- Before switching on the garment steamer, please check the plug and power cord carefully, and in case of damage, never use them. Replacement must be conducted by the manufacturer or its repair department or similar professionals to avoid danger.
- Please send the product to the after-sale repair agency authorized by this company for repair.
- Before inserting or pulling off the plug, be sure to switch off the appliance.
- When inserting or pulling off the plug, be sure to hold the plug with a hand, and never pull the power cord or operate with a wet hand.
- Before operation of the garment steamer, make sure that supporting surface is even and secure to prevent the garment steamer from overturn or water from overflow.
- Never heat the water tank when it has not been placed properly or water level is not enough.
- Before adding water, be sure to switch off first.
- Never put perfume, vinegar, detergents or other chemicals into the water tank. Otherwise they will stain the clothes and damage the garment steamer.
- All appliances in the product must be placed beyond the reach of babies or the disabled to prevent any danger such as electric shock and scratch. During operation of the garment steamer, the user shall not leave.

- When the garment steamer is operating, prevent the danger arising from steam splashing, do not have its spray nozzle towards people to avoid scald.
- When the garment steamer is operating, its spray nozzle, air duct and air duct joint will become very hot. Therefore, never touch them to avoid scald.
- When the garment steamer is operating, it may produce steam of high temperature, which may cause deformation and discoloration of cloths with poor heat resistance (such as fur clothing). In this case, never use it.
- When the garment steamer is operating, never have the power cord in touch with hot surfaces of the appliance, such as the air duct and spray nozzle.
- When the garment steamer is operating, never bend or wind the air duct.
- When the garment steamer is operating, never carry out any action by which steam may be in touch, such as installation of a brush and insertion and pull of an air duct, to avoid scald.
- This appliance is not intended for use by persons (including children) with reduced physical, sensory or mental capabilities, or lack of experience and knowledge, unless they have been given supervision or instruction concerning use of the appliance by a person responsible for their safety.
- Children should be supervised to ensure that they do not play with the appliance.
- Care should be taken when using the appliance due to the emission of steam.
- Unplug the appliance during filling and cleaning.
- If the supply cord is damaged, it must be replaced by manufacturer or its service agent or a similarly qualified person in order to avoid a hazard.
- This appliance can be used by children aged from 8 years and above and persons with reduced physical, sensory or mental capabilities or lack of experience and knowledge

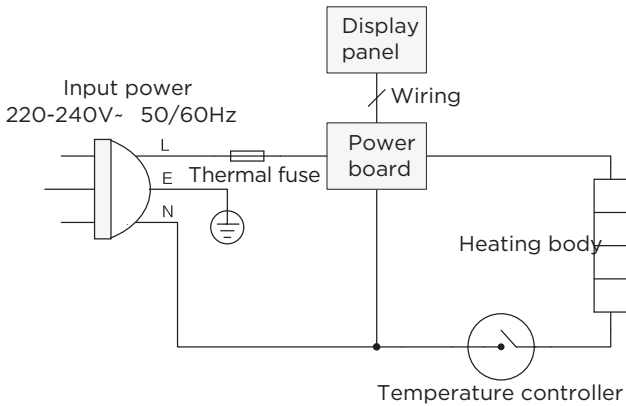
if they have been given supervision or instruction concerning use of the appliance in a safe way and understand the hazards involved. Children shall not play with the appliance. Cleaning and user maintenance shall not be made by children without supervision.

- The appliance must not be disposed of with regular household waste. At the end of its service life, the appliance must be properly delivered to a collection point for the recycling of electrical and electronic equipment. By Collection and recycling of old appliances, you are making an important contribution to the conservation of our natural resources and provide for environmentally sound and healthy disposal.

# SPECIFICATIONS

Product Model	MY-GD20D2W
Voltage	220-240V~
Frequency	50/60Hz
Power	2000W
Water tank capacity	2.0L
Weight	7.0kg
Dimensions	358X293X1600mm

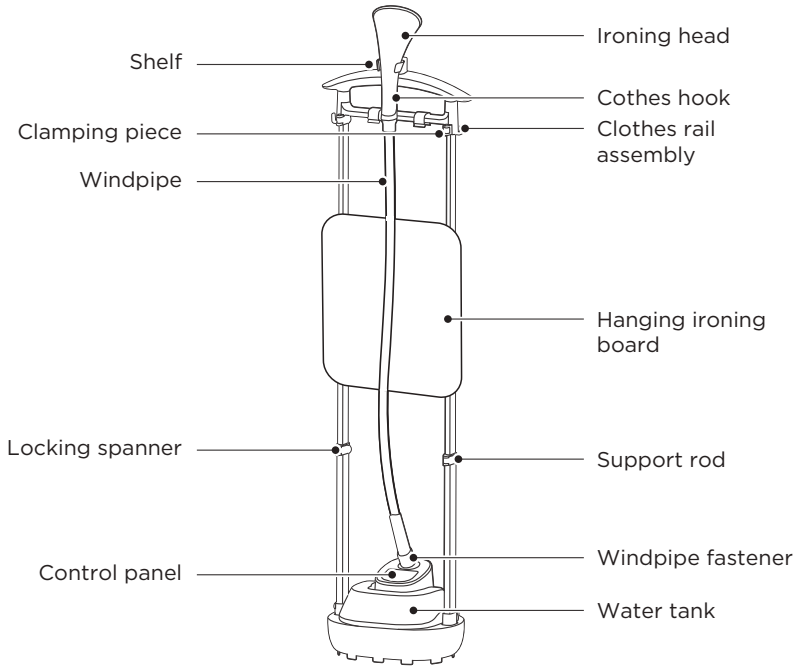
## Circuit Diagram



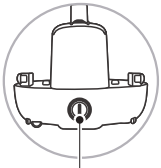


# PRODUCT OVERVIEW

## Part Name



## Part List



Discharge plug



Seam clamp



Brush



Ironing board



Glove

(The schematic above is for reference only, and the actual product shall be based.)

### Warm Tips

It is recommended to use purified water or filtered water, which makes the Garment Steamer more durable. Avoid contamination of clothing by the impurities in the water after long use.

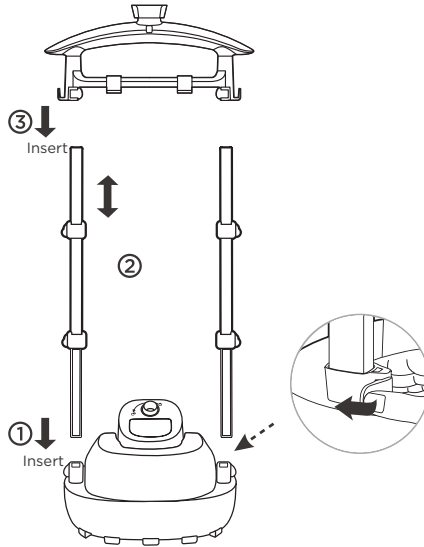
### ⚠ Warm Tips

The appliance shall be used in an environment with temperature of 10-40°C and relative humidity of less than 90%.

# PRODUCT INSTALLATION

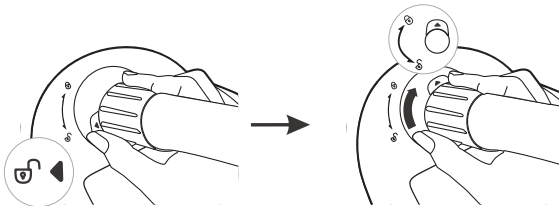
## Installation Of Support Rod

- 1 Install each part in sequence according to the figure.  
Release the lock button, insert the support rod into the mainframe, and lock each spanner.
- 2 Collapsible adjusting height.



## Installation Of Windpipe

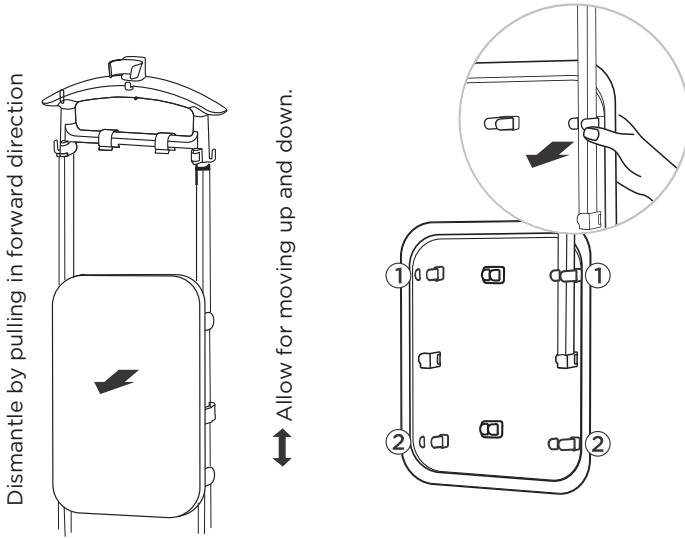
- 1 Align the boss of windpipe fastener with the “☰” and insert to the end.
- 2 Rotate the fastener clockwise, and lock by aligning the boss with the “☷”.



# Installation Of Hanging Ironing Board

## 1 Schematic diagram of front installation.

Align the fastener with the first and second support rods and set at positions.

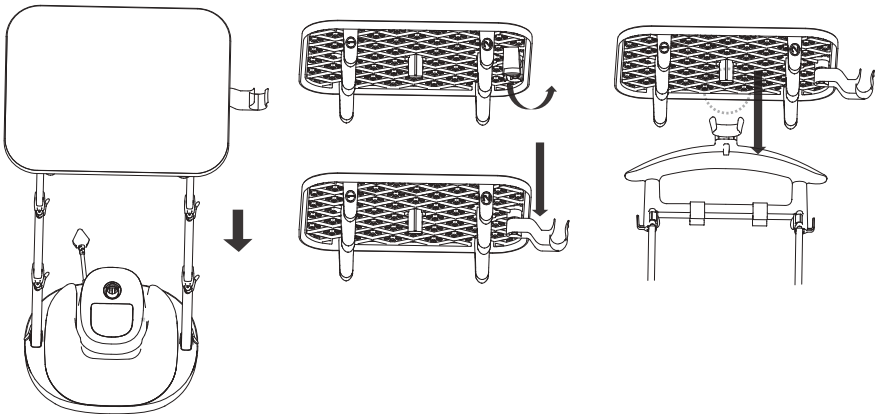


## 2 Schematic diagram of top installation.

Shorten the supporting rod to suitable height.

Revolve the hook of hanging ironing board to the side position.

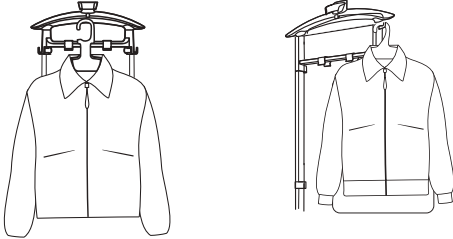
Put the hanging ironing board flat on the top of Clothes rail assembly, put the fixed column in the middle of hanging ironing board into the right hole, and fixed.



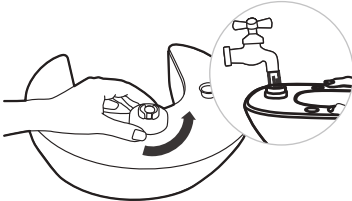
# OPERATION INSTRUCTIONS

## Preparations

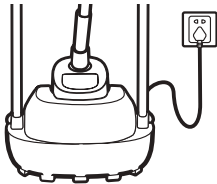
1 Hang up the clothes.



2 Fill the water tank.



3 Put the tank back, and start the machine.



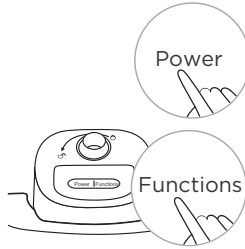
## Key Control

### 1 Start

Press the “Power” key to start the machine.

### 2 Functions

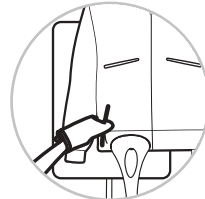
Press in the “Function” key to select the appropriate gear.



## General Application



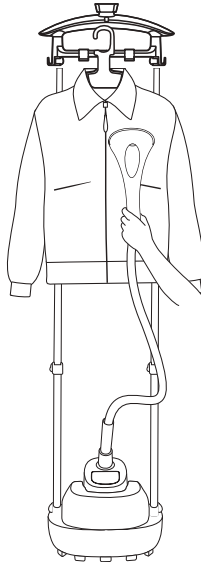
Wear gloves or glove boards to prevent from being scalded.



Hanging ironing board can be used as an auxiliary tool for ironing Corners and lower hems.



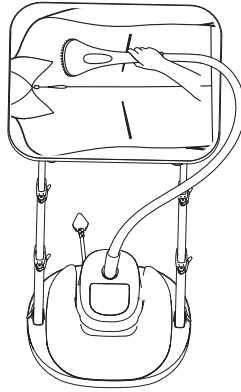
Ironing board can be used as an auxiliary tool for ironing Corners such as collars, cuffs.



A brush can be used for removing the fluffing.

**NOTE**

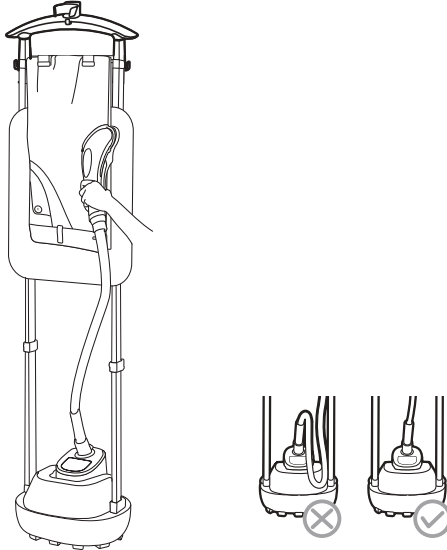
Do not iron one place for a long time, so as not to damage the clothes.



Clothing can be ironing horizontally

### Ironing Of Trousers

In case of requirements from clients for trousers axis, use the seam clamp foraid. Fix the trousers axis by setting the seam clamp, press the spanner, and iron from the top downwards.

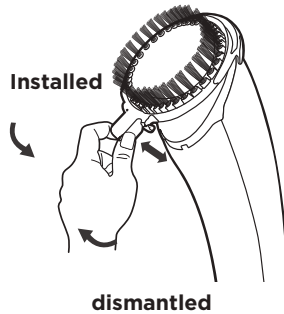


**NOTE**

No overbending or U-shaped windpipe is allowed during ironing.

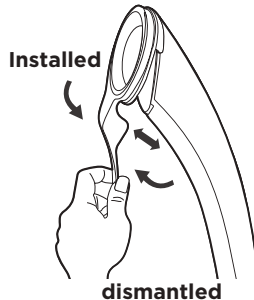
## Installation Of Brush

Snap the brush top end on the upper edge of iron head, and fasten the brush when the iron head is aligned with the boss of brush lower edge.  
Dismantle in reverse after use.



## Installation Of Seam Clamp

Snap the clamp top end on the upper edge of iron head, with lower boss snapped below.  
Dismantle in reverse after use.



## Safety Protection

1. Temperature detection protection: The Garment Steamer is equipped with a built-in temperature sensing element. When there is abnormal temperature, the temperature sensing element will emit signals to control the connection and disconnection of the heating element, thus keeping the product temperature within a suitable range.
2. Thermal fuse protection: The garment steamer is provided with a thermal fuse. When a temperature is abnormal and the thermostat fails, it switches off directly to avoid any accident.
3. Dry Boil protection: Water insufficiency alert and automatically cut power if boil dry. When the pump is boiling without water, the alarm buzzer will work immediately. Meanwhile, power will be cut off after the indicator blinks three times to protect the garment care.

# CLEANING AND MAINTENANCE

1. Press the "On/Off" button to close the garment steamer.
2. Disconnect the power plug.
3. After cooling the product for 30 minutes, open the water tank cover, lift and tilt the product, and pour out the water inside the product from the water tank cover.
4. Unscrew the drain plug counter-clockwise, the water in the principal machine will outflow from the drain plug. (Note: Clear the accessories of the product before unscrew the drain plug in case the water flows out of the principal machine gets the goods wet.)
5. After using the product for a long time, we suggest cleaning off the water scale regularly to avoid impurities of water stain the clothing: disassemble the airway tube from the main body and fill the water into the water inlet and shake the machine. Then pour out the dirty mixture along with water from the water outlet. The performance will be better when repeating above steps.
6. After winding the power cord and air duct, put the product in a free place.




# TROUBLESHOOTING

Operation of your appliance can lead to errors and malfunctions. The following tables contain possible causes and notes for resolving an error message or malfunction. It is recommended to read the table below carefully in order to save your time and money that may cost for calling to the service center.

Phenomenon	Cause	Troubleshooting
The product does not work after power-on.	• The power plug is not inserted.	Insert the power plug.
	• The domestic circuit fails or the fuse is burnt.	Please contact the professionals for inspection and repair.
	• The product circuit fails.	Please contact the professionals for inspection and repair.
The product works but does not produce any steam after power-on.	• The water tank does not have any water or too little water.	Fill the water tank.
	• The internal steam channel is bent or disengaged.	Please contact the professionals for inspection and repair.
	• The heating plate is damaged.	Please contact the professionals for inspection and repair.
	• The indicator light illuminates, but does not produce any steam.	Please contact the professionals for inspection and repair.
The Ironing head drips water.	• The steam is condensed, which is a normal phenomenon.	In use, lift the hot head and vertically straighten the steam conduit, and shake the hot head.
	• The heating plate is damaged.	Please contact the professionals for inspection and repair.
	• There is much water scale on the heating plate.	Shut down, and clean the water scale in the heating plate.
	• The product is placed on a high table, for example, on a table or a chair.	Place the product on the ground.
Water leak.	• Water overflows from the connection between the water tank and the main machine.	<ul style="list-style-type: none"> <li>• Remove the steam return pipe and straighten the bent section.</li> <li>• Remove water scale in the heating plate.</li> </ul>
The steam is blocked.	• The steam conduit is bent.	After installing the steam conduit, start, wear gloves, hold the bends by hand for shaping, and restore the conduit.

# TRADEMARKS, COPYRIGHTS AND LEGAL STATEMENT

 Midea logo, word marks, trade name, trade dress and all versions thereof are valuable assets of Midea Group and/or its affiliates (“Midea”), to which Midea owns trademarks, copyrights and other intellectual property rights, and all goodwill derived from using any part of an Midea trademark. Use of Midea trademark for commercial purposes without the prior written consent of Midea may constitute trademark infringement or unfair competition in violation of relevant laws.

This manual is created by Midea and Midea reserves all copyrights thereof. No entity or individual may use, duplicate, modify, distribute in whole or in part this manual, or bundle or sell with other products without the prior written consent of Midea.

All the described functions and instructions were up to date at the time of printing this manual. However, the actual product may vary due to improved functions and designs.

# DATA PROTECTION NOTICE

For the provision of the services agreed with the customer, we agree to comply without restriction with all stipulations of applicable data protection law, in line with agreed countries within which services to the customer will be delivered, as well as, where applicable, the EU General Data Protection Regulation (GDPR).

Generally, our data processing is to fulfil our obligation under contract with you and for product safety reasons, to safeguard your rights in connection with warranty and product registration questions. In some cases, but only if appropriate data protection is ensured, personal data might be transferred to recipients located outside of the European Economic Area.

Further information are provided on request. You can contact our Data Protection Officer via **MideaDPO@midea.com**. To exercise your rights such as right to object your personal data being processed for direct marketing purposes, please contact us via **MideaDPO@midea.com**. To find further information, please follow the QR Code.



*make yourself at home*



[www.midea.com](http://www.midea.com)

© Midea 2022 all rights reserved