

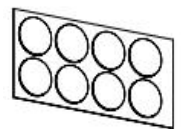



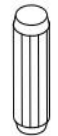









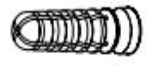




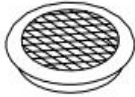
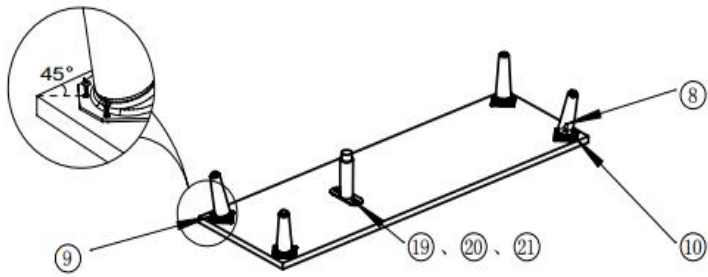


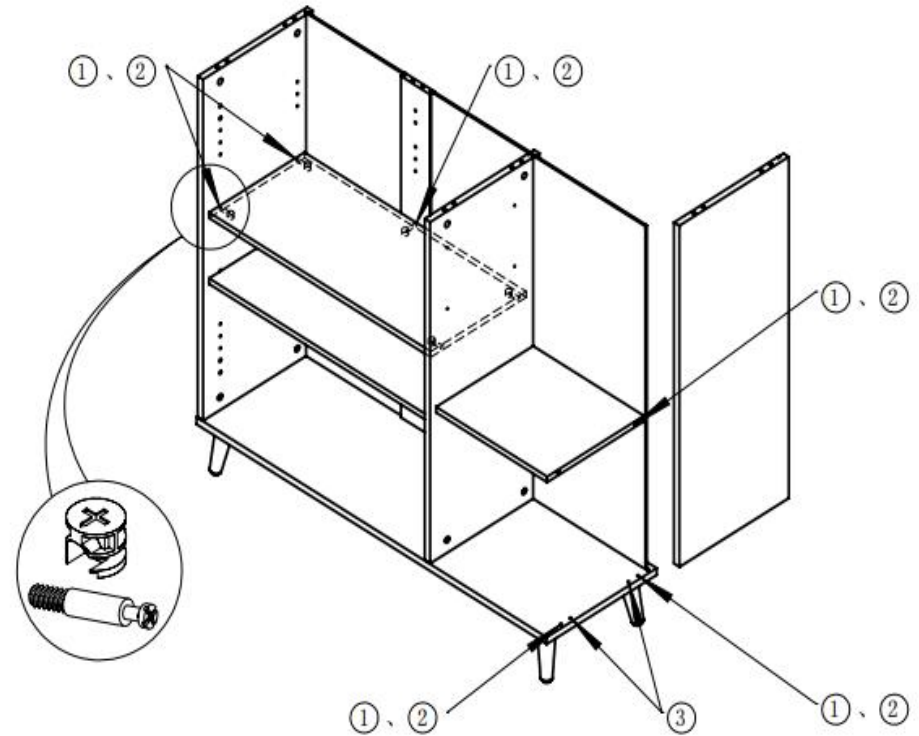
Itme	Name	Qty
1	Base plate	1
2	Leg	4
3	Left drawer side	2
4	Right drawer side	2
5	Drawer end	2
6	Drawer bottom	2
7	Fixed Grating	2
8	Movable Grating	2
9	Top plate	1
10	Upper drawer surface	1
11	Lower drawer surface	1
12	Small Grating	1
13	Small door panel	1
14	Right backplane	1
15	Right side plate	1
16	Middle backing strip	1
17	Latus inframedium	1
18	Left backplane	2
19	Left side plate	1
20	Left door panel	1
21	Right door panel	1
22	Removable cabinet base plate	1
23	Removable cabinet Top plate	1
24	Removable cabinet side plate	2
25	Removable cabinet backplane	1
26	Adjustable support leg	1

Hardware List

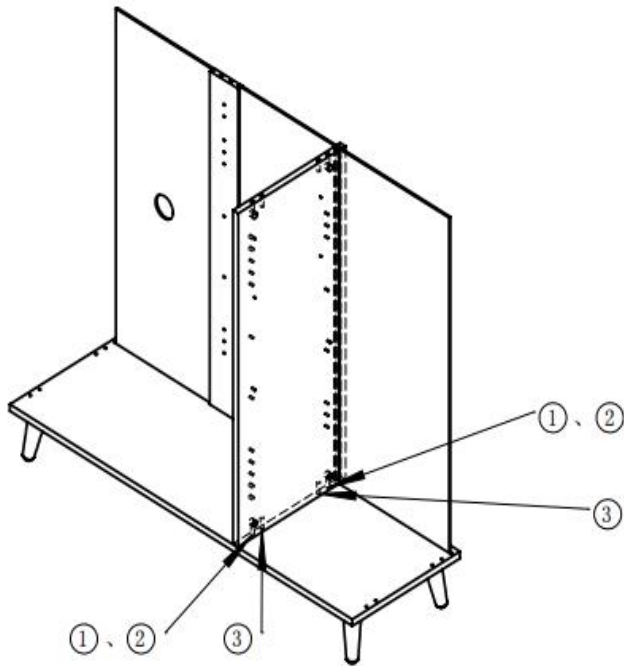
No.	Name	Picture	Qty.	No.	Name	Picture	Qty.	No.	Name	Picture	Qty.
①	Large tapping buckle bar		42	⑨	M4*16 cross countersunk head self-tapping nails		20	⑰	Furniture sticker		8
②	Large buckle wheel		42	⑩	Leg oblique connecting disk		4	⑱	Plane connector		10
③	8*35 Wood tip		12	⑪	Embedded hydraulic hinge large base four holes		6	⑲	M8*20 cross round head galvanized screw		2
④	Small buckle wheel		8	⑫	M4*14 cross countersunk self-tapping nails (nickel-plated)		12	⑳	Dia. 8mm flat washer		2
⑤	Small tapping buckle bar		8	⑬	M4*12 cross countersunk nickel plated screw		21	㉑	Dia. 8mm spring pad		2
⑥	M3*30 cross countersunk head self-tapping nails		8	⑭	Expansion rubber plug		2	㉒	300MM three-section rail (Width 36mm)(Black)		2
⑦	M3.5*14 cross countersunk head self-tapping nails		24	⑮	M5*60 cross countersunk head tapping screw		2				
⑧	M8*35 double-ended galvanized screw		4	⑯	Air vent cover		2				



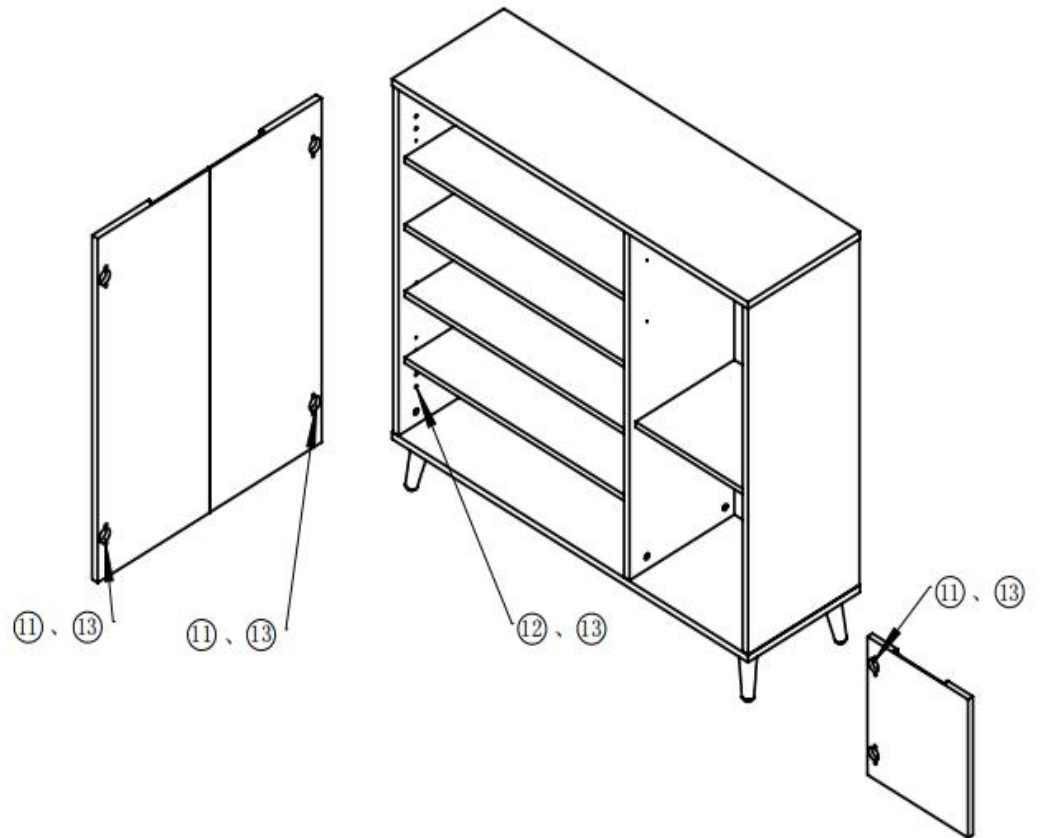
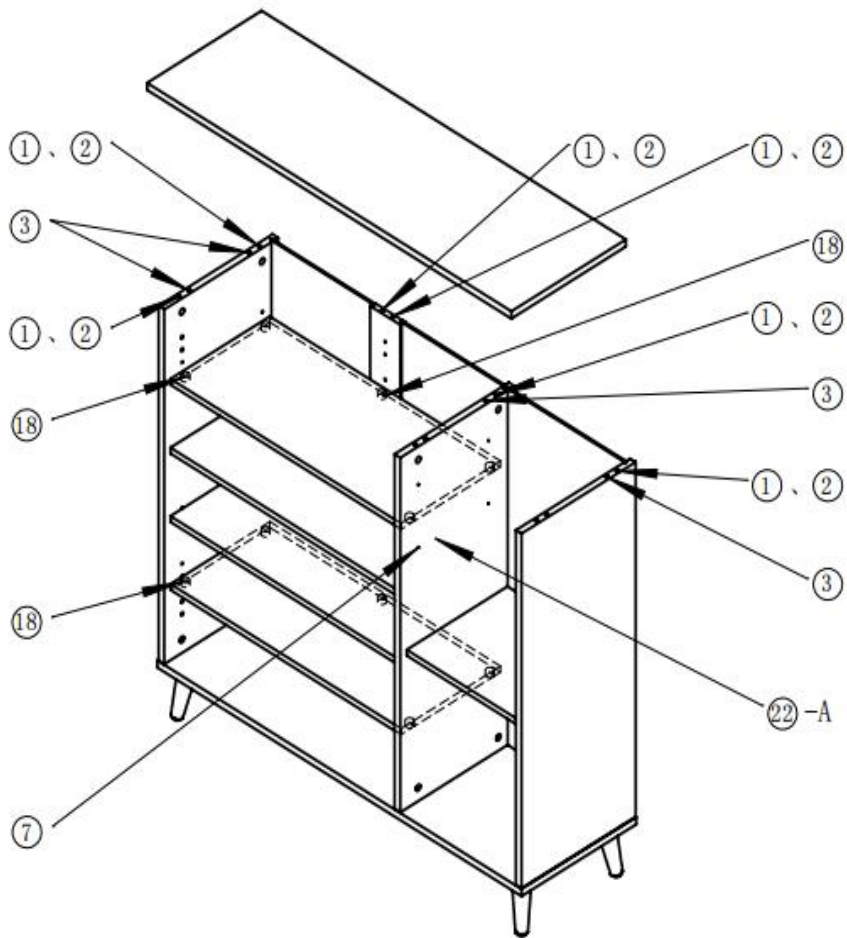
- 1、 a. Use ⑨ to fix ⑩ on the 1 (The ⑩ Align the holes on the 1 , and the installation direction low on the outside and high on the inside),
- b. The 2 adopts ⑧ to connect the ⑩.
- c. The 26 adopts ⑲, ⑳, ㉑ to connect the 1.



- 3、 a. The 15 and 19 are connected with the 1 by using ②, ①, ③.
- b. The 7 adopts ② and ① to connect the 19, 16, 17.
- The 12 adopts ②, ① to connect and fix the 15, 17.

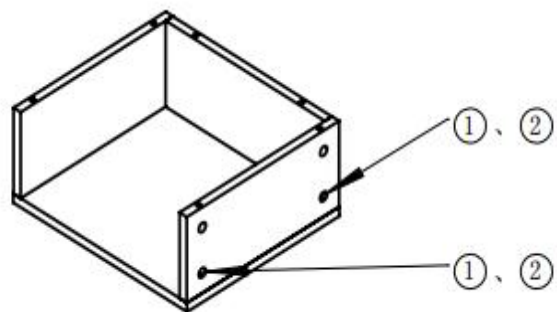


- 2、 The 17 adopts ②, ①, ③ to connect the 1.
- The 16 adopts ② and ① to connect and fix the 1.
- Insert the 14 and 18 as shown in the figure;

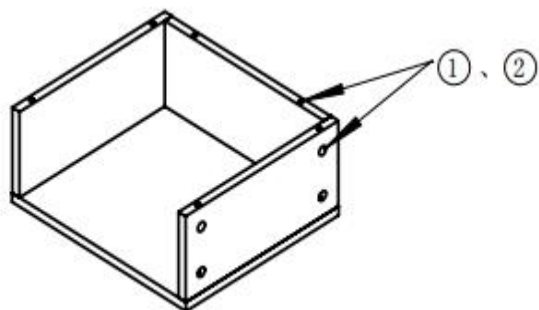
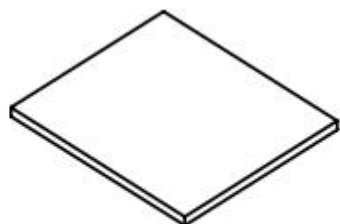


- 4、
- Use ⑦ to install and fix the rail ②②-A in the corresponding position on the 17 and 15.
 - The 8 is connected to the 19,16,17 by ⑱.
 - The 17 adopts ②,①,③ to connect the 9. The 15 and 19 adopts ②,①,③ to connect the 9. The 16 adopts ② and ① to connect the 9.

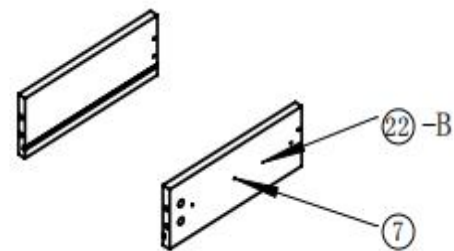
- 5、
- Each ⑪ using two ⑬ installed in each door panel,
 - For each hinge on each door panel, install two ⑬ on the rubber jack holes to the corresponding side plate and then Fastening with two ⑫.



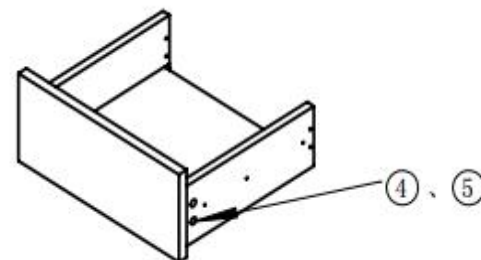
6、
The 24 and 25 adopts ②,① to connect the 22.



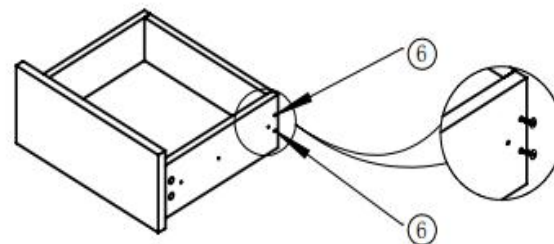
7、
The 24 and 25 adopts ②,① to connect the 23.



8、
Install the rail ②-B on the 3 and 4 by using ⑦.



9、
The 3 and 4 adopts ④,⑤ to connect 10 and 11, then insert the 6.



10、
The 3 and 4 adopts ⑥ to connect the 5.