

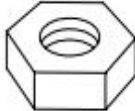








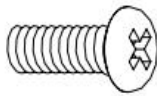






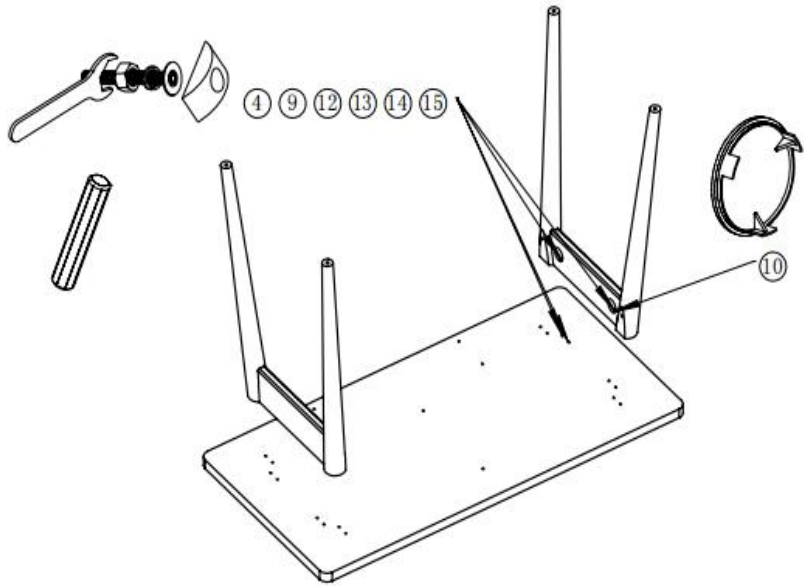


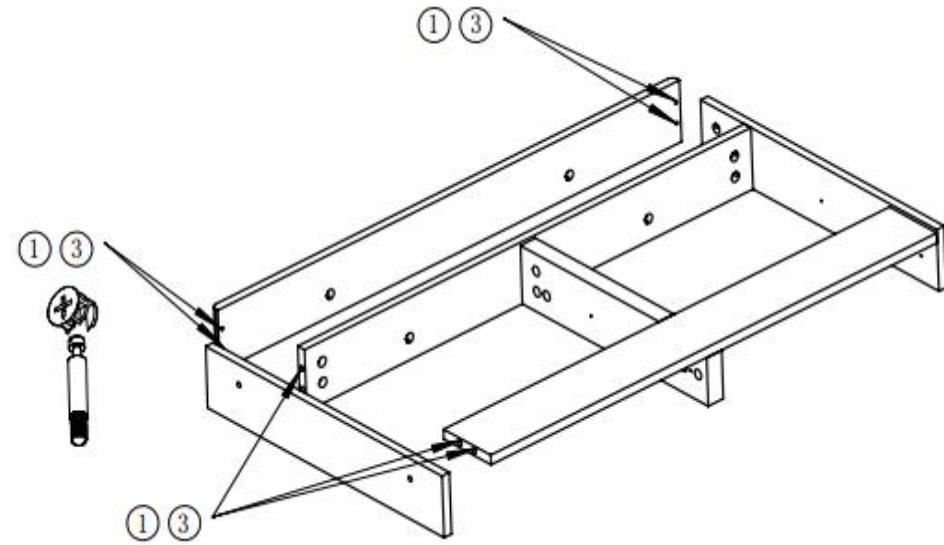
Itme	Name	SPEC	Qty
1	Top plate	1200X600	1
2	Left side plate	530X96	1
3	Rear Backplane	927X96	1
4	Front backplane	896X96	1
5	Middle Upright plate	417X91	1
6	Right side plate	530X96	1
7	Pulling strip	896X106	1
8	Left drawer side	300X60	1
9	Right drawer side	300X60	1
10	Drawer end	376X60	1
11	Drawer bottom	384X293	1
12	Left Drawer surface	461X94	1
13	Right Drawer surface	461X94	1
14	Side frame	517X722	1

Hardware List

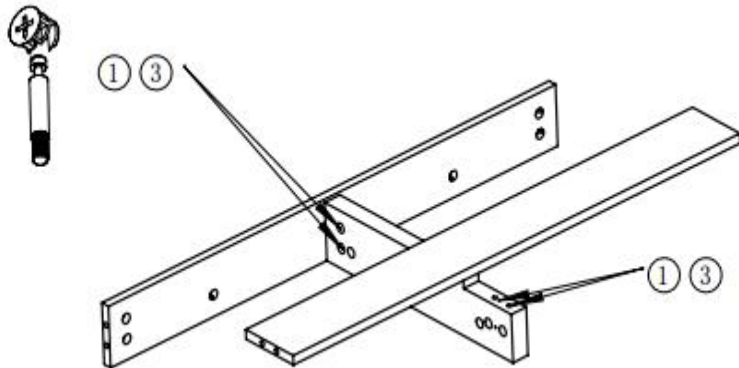
No.	Name	Picture	Qty.	No.	Name	Picture	Qty.	No.	Name	Picture	Qty.
①	Large tapping buckle bar		18	⑦	M3*30 cross countersunk head self-tapping nails		8	⑬	M8 Hexagon galvanized nut		4
②	Large buckle bar		10	⑧	M3.5*14 cross countersunk head self-tapping nails		24	⑭	Dia. 8mm flat washer		4
③	Large buckle wheel		28	⑨	M8*70 double-ended galvanized screw		4	⑮	Dia. 8mm spring pad		4
④	8*35 Wood tip		8	⑩	Diameter 38 cover plate		4	⑯	M6*35 cross chamfered galvanized screw		4
⑤	Small buckle wheel		4	⑪	spanner		1	⑰	Dia. 6mm flat washer		4
⑥	Small tapping buckle bar		4	⑫	Locker		4	⑱	three-section rail (Width 36mm)(Black)		2



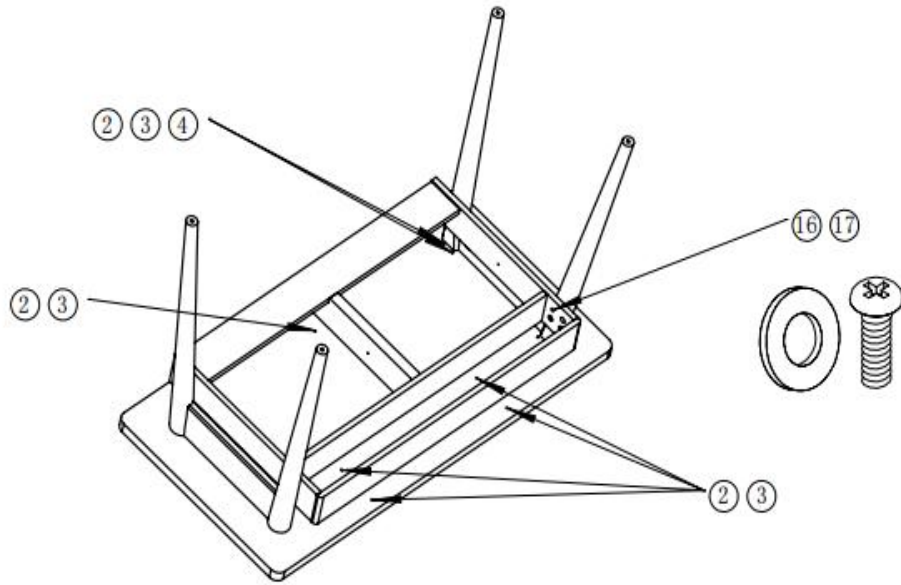
1、
The 14 adopts ④, ⑨, ⑫, ⑬, ⑭, ⑮ to connect the 1, and the ⑩ is installed at the big round hole.



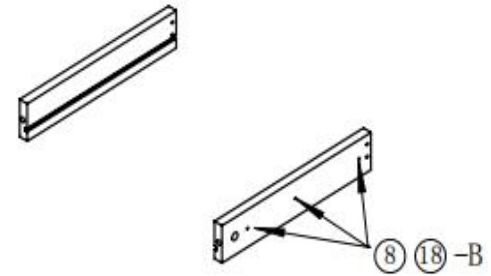
2、
The 5 adopts ① and ③ to connect the 4 and 7.
3、
a, The 2 and 6 adopts ① and ③ to connect the 4 and 7.
b. The 3 adopts ① and ③ to connect the 2 and 6.



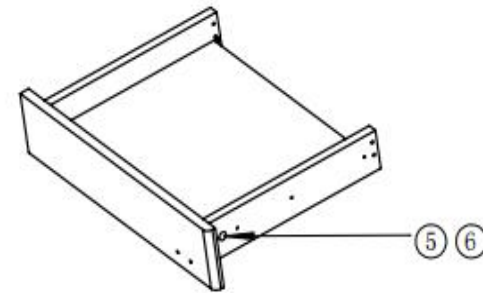
2、
The 5 adopts ① and ③ to connect the 4 and 7.



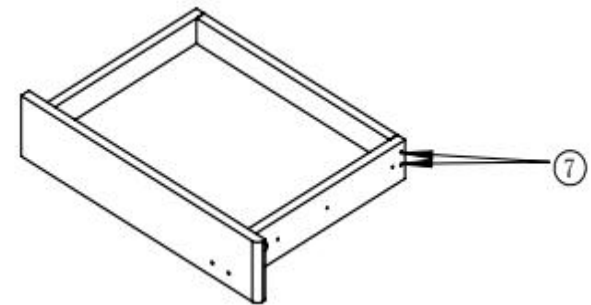
- 4、
 a, The 2,3,4,5,6 adopts ②,③,④ to connect the 1.
 b. The 2 and 6 adopts ⑬ and ⑭ to connect the 14.



- 5、
 Use ⑧ to install ⑱-B on the outside of the 8 and 9.



- 6、
 The 8 and 9 adopts ⑤ and ⑥ to connect the 12,13. and insert the 11.



- 7、
 The 8 and 9 adopts ⑦ to connect the 10.