







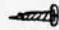
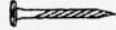


# 875#

6*50mm Ax17 	35mm Bx6 	14*11mm Cx6 	Dx2 	Ex2 	
Fx1 	3.5*15mm Gx8 	Hx2 	4*14mm Jx8 	3.5*40mm Kx4 	Lx16 