

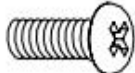





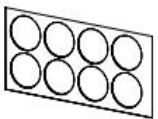



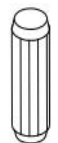





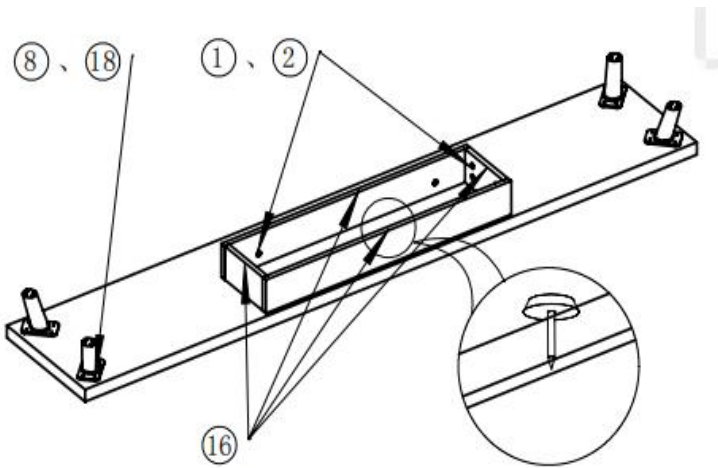


Itme	Name	Spec.	Qty
1	Base plate		1
2	Left latus inframedium		1
3	Left side plate		1
4	Middle backplane		1
5	Middle clapboard		1
6	Latus inframedium		1
7	Long strip		2
8	Short strip		2
9	Right latus inframedium		1
10	Right backplane		2
11	Right side plate		1
12	Top plate		1
13	Door panel		1
14	Soft backplane		1
15	Drawer surface		2
16	Left drawer side		2
17	Right drawer side		2
18	Drawer end		2
19	Drawer bottom		2

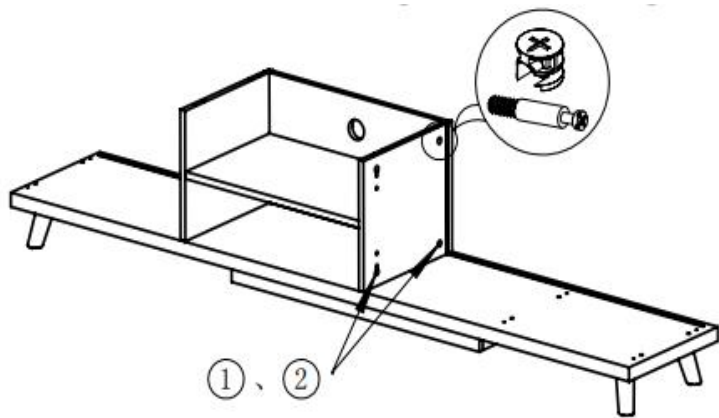
8. Attach ⑭ to the fastener hole, put it in the drawer, adjust the gap between the drawer surface and the door panel by 2mm, and the installation is complete

Hardware List

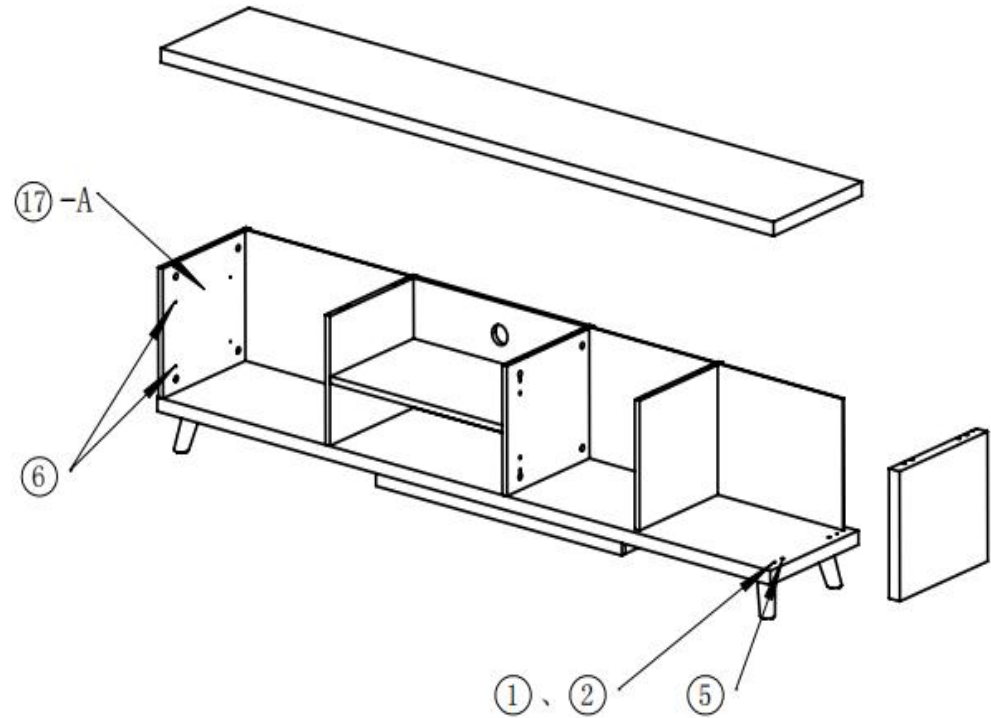
No.	Name	Picture	Qty.	No.	Name	Picture	Qty.	No.	Name	Picture	Qty.
①	Large buckle wheel		40	⑦	M3*30 cross countersunk head self-tapping nails		8	⑬	M4*12 cross countersunk nickel plated screw		8
②	Large tapping buckle bar		40	⑧	M4*20 cross countersunk head self-tapping nails		16	⑭	M4*14 cross countersunk head self-tapping nails		4
③	Small buckle wheel		8	⑨	Aluminum alloy handle		3	⑮	PVC adhesive cap		12
④	Small tapping buckle bar		8	⑩	M4*20 cross countersunk head galvanized screw		6	⑯	Diameter 16 rubber foot nails		4
⑤	8*35 Wood tip		20	⑪	Diameter 4 concave pad		6	⑰	300MM three-section rail (Width 36mm)(Black)		2
⑥	M3.5*14 cross countersunk head tapping screw		24	⑫	Hydraulic hinge large base four holes		2	⑱	Leg		4



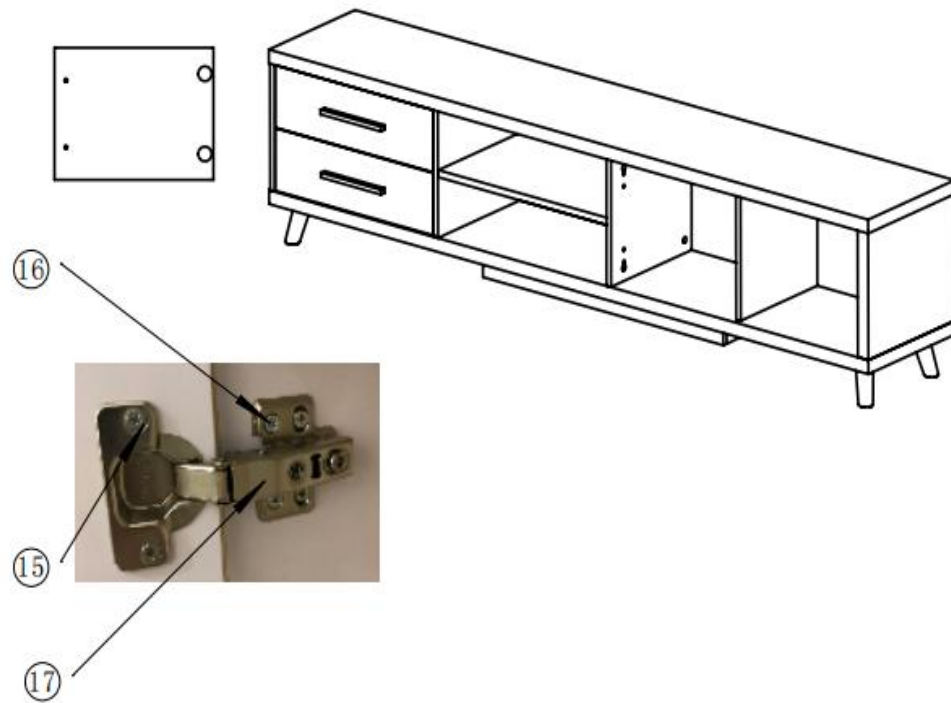
1、 The 8 adopts ① and ② to connect the 7.
 The 7 adopts ① and ② to connect the 1.
 Install the ⑬ at the bottom of the 7 and 8 evenly.
 Connect and fixed ⑮ to the 1 using ⑧.



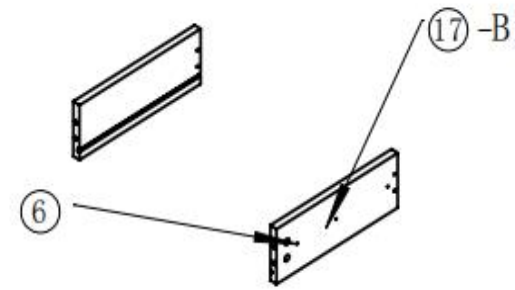
2、 The 4 adopts ① and ② to connect the 2.
 The 5 is connected to the 2 with ① and ②.
 The 4 and 5 adopts ① and ② to connect the 6.
 The 2 and 6 adopts ①, ② and ⑤ to connect the 1.



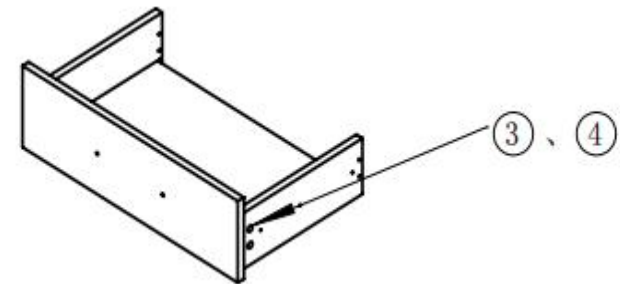
3、 Use ⑥ to install rail ⑰-A on the 2 and 3.
 The 3,9 and 11 adopts ①, ②, ⑤ to connect the 1, and then insert the 10 and 14.
 The 2,3,6,9,11 adopts ①, ② and ⑤ to connect and fixed the 12.



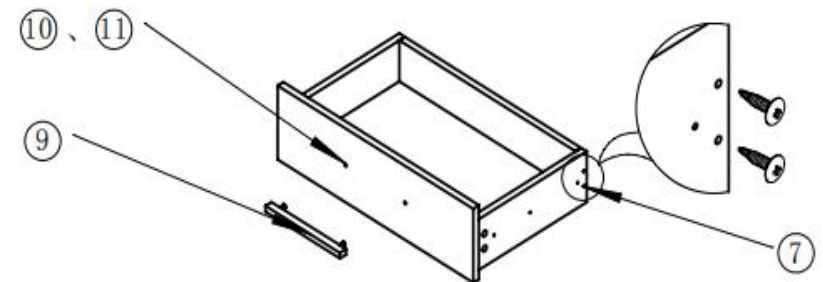
4、 Each ⑫ using two ⑬ installed on the corresponding position of the 13. Then uses two ⑬ and two⑭ to connect the ⑫ and corresponding side plate of the cabinet. The ⑩,⑪ are connected and fixed ⑨ and13 respectively.



5、 Install rail ⑰-B on the outside of the 16 and 17 by using ⑥.



6、 The 16 and 17 adopts ③ and ④ to connect the 15, and insert the 19.



7、 The 16 and 17 using ⑦ to connect and fixed the18. Use ⑩ and ⑪ to connect the ⑨ on the 15.