





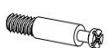





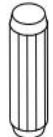



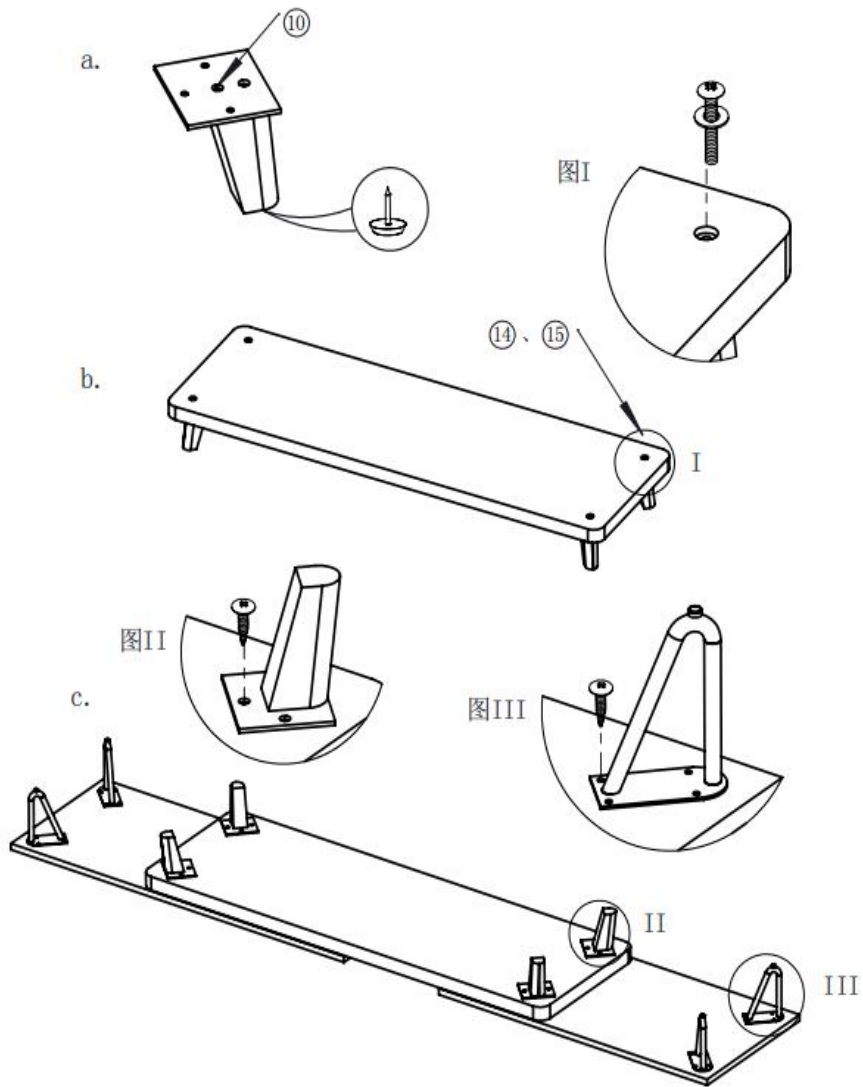


12、
Put in drawer, movable box, Sintered stone, adjust the gap of each pumping surface 2mm, the installation is complete.

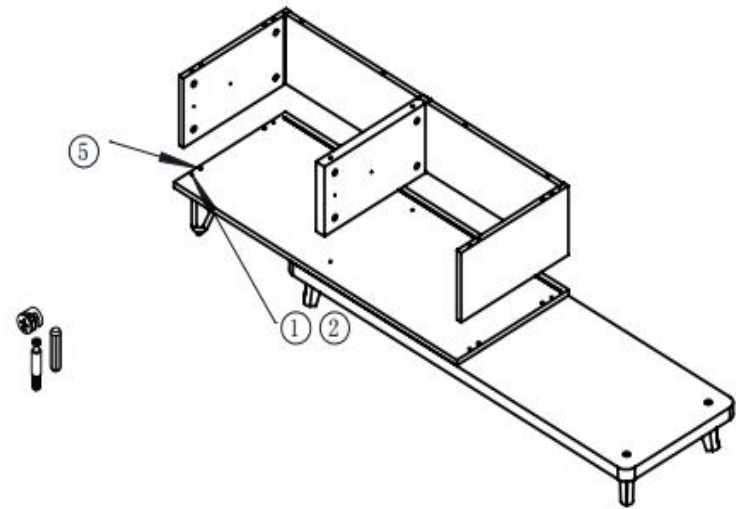
Itme	Name	Spec.	Qty
1	Sintered stone		1
2	Base plate of left cabinet	994X393	1
3	Left cabinet side plate	376X194	3
4	Left cabinet panel	994X393	1
5	Base plate of right cabinet	801X393	1
6	Right cabinet panel	801X393	1
7	Latus inframedium of right cabinet	354X194	1
8	Handle		3
9	Metal leg		4
10	Right cabinet backplane	767X194	1
11	Left cabinet backplane	960X194	1
12	The left drawer side	300X108	3
13	Drawer bottom	416X293	3
14	Right drawer side	300X108	3
15	Drawer end	408X108	3
16	Latus inframedium of left cabinet	376X194	1
17	Right cabinet side plate	391X194	1
18	Socle		4
19	Base plate of movable box	369X285	1
20	Side plate of movable box	368X160	2
21	Movable box panel	369X285	1
22	Movable box backplane	254X160	1
23	Base plate	1200X393	1
24	Right drawer surface of left cabinet	1200X393	1
25	Drawer surface	493X190	2
26	Top panel		1

Hardware List

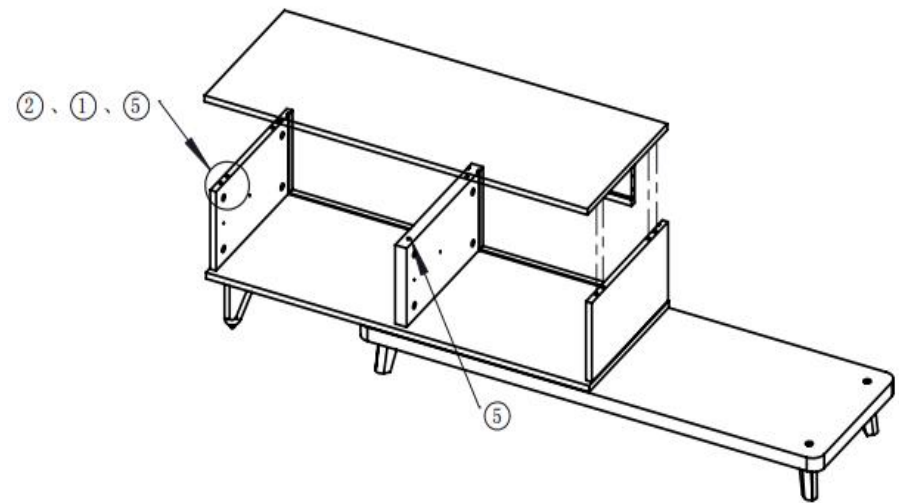
No.	Name	Picture	Qty.	No.	Name	Picture	Qty.	No.	Name	Picture	Qty.
①	Large tapping buckle bar		50	⑦	M3*30 cross countersunk head tapping screw		12	⑬	connecting iron plate 80 * 70 * 3mm		4
②	Large buckle wheel		50	⑧	M4*20 cross countersunk head galvanized screw		3	⑭	M6*40 cross chamfered galvanized screw		4
③	Small tapping buckle bar		12	⑨	Diameter 4 concave pad		3	⑮	Dia. 6mm flat washer		4
④	Small buckle wheel		12	⑩	M4*16 cross countersunk head tapping screw		32	⑯	250MM three-section rail (Width 36mm)(Black)		3
⑤	8*35 Wood tip		16	⑪	Handle		3				
⑥	M3.5*14 cross countersunk head tapping screw		36	⑫	Diameter 16 rubber foot nails		4				



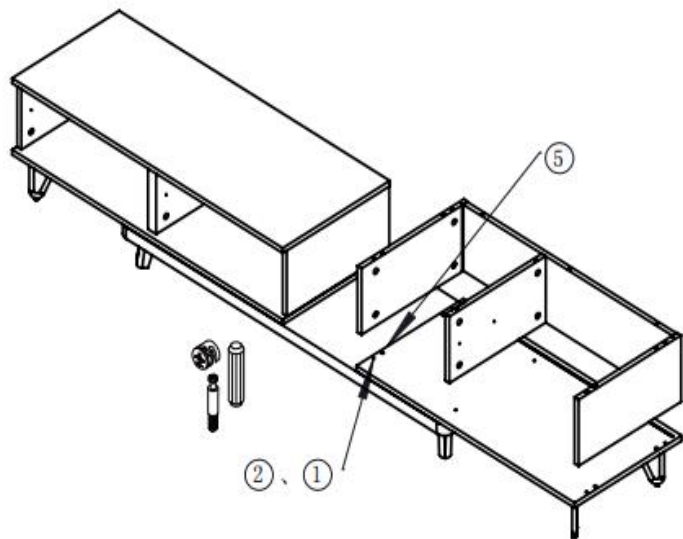
- 1、 a. Use ⑩ to connect and fix the ⑮ to the ⑬, and install ⑫ at the bottom of the ⑮;
- b. Use ⑭ and ⑮ to fix the ⑮ and ⑬ under the ⑳.
- Then use ⑩ to fix the ⑬ under the ⑳ again;
- c. The ⑰ are fixed under the ② and ⑤ using ⑩.



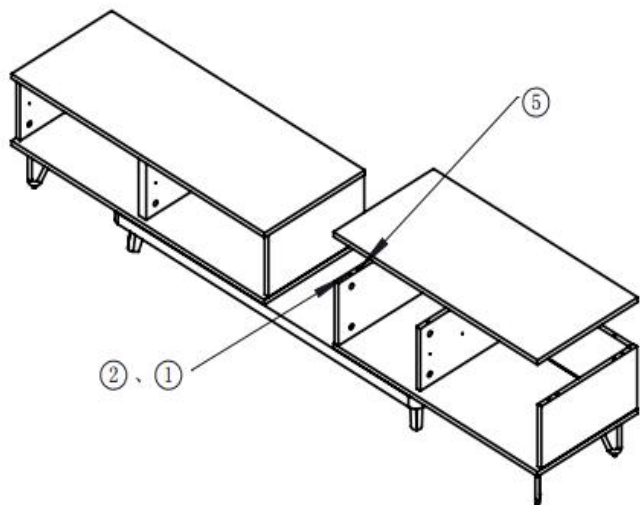
- 2、
- a. The ③ adopts ①, ② and ⑤ to connected and fixed on the ②.
- b. The ⑱ adopts ① and ② to connected and fixed on the ②.
- c. The ⑪ adopts ① and ② to connected and fixed on the ②.



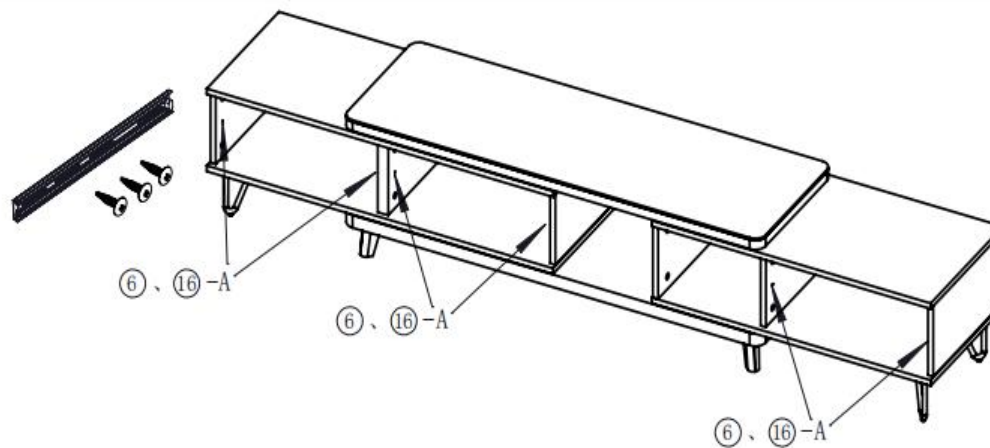
- 3、 The ④ is connected to the left cabinet body with ②, ① and ⑤ respectively;



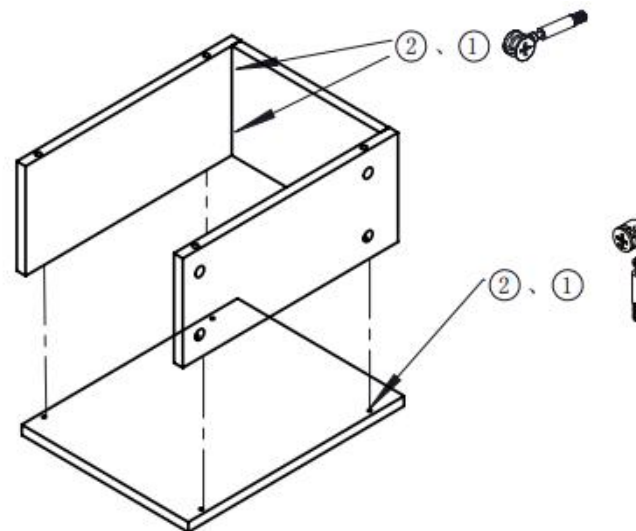
- 4、
- The 17 adpots (2), (1) and (5) to connect and fixed on the 5.
 - The 7 adpots (2) and (1) to connect and fixed on the 5.
 - The 10 adpots (2) and (1) to connect and fixed on the 5.



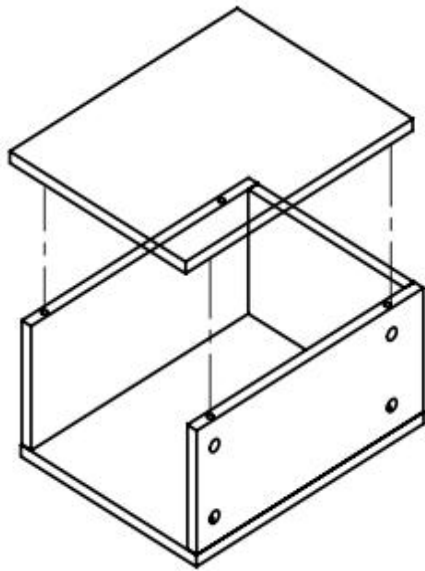
- 5、 The 6 is connected to the right cabinet body with (2), (1) and (5) respectively;



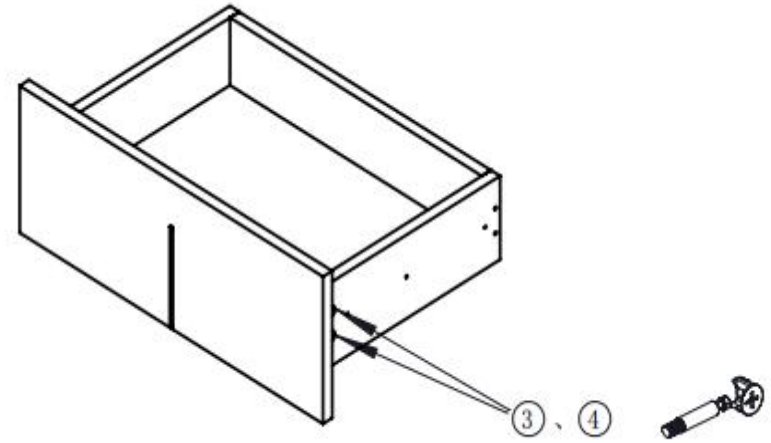
- 6、 Install three pieces of rail (16-A) respectively in the position as shown in the figure by using (6).



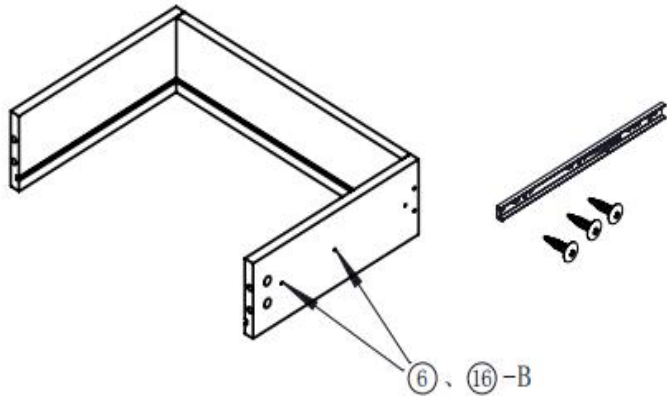
- 7、 The 22 adpots (2) and (1) to connect to the 20, and then adpots (2) and (1) to connect the 20 on the 19.



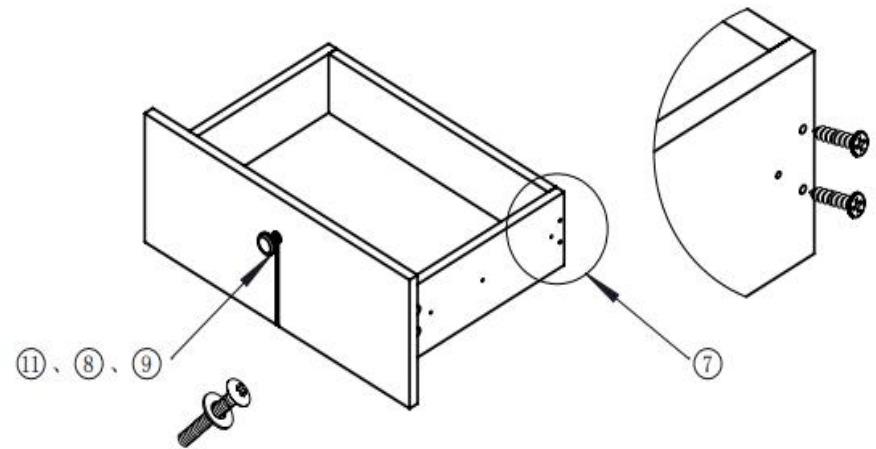
8、
The 21 adopts ② and ① to connect the 20.



10、 The 12 and 14 adopt ③ and ④ to connect the fixed 25 and then insert the 13.



9、
Use ⑥ to install rail ⑬-B on the outside of the 12 and 14.



11、
a. Using ⑦ to connect and fix the 12,14 and 15.
b. The ⑪ Use ⑧ and ⑨ to connect the 25.