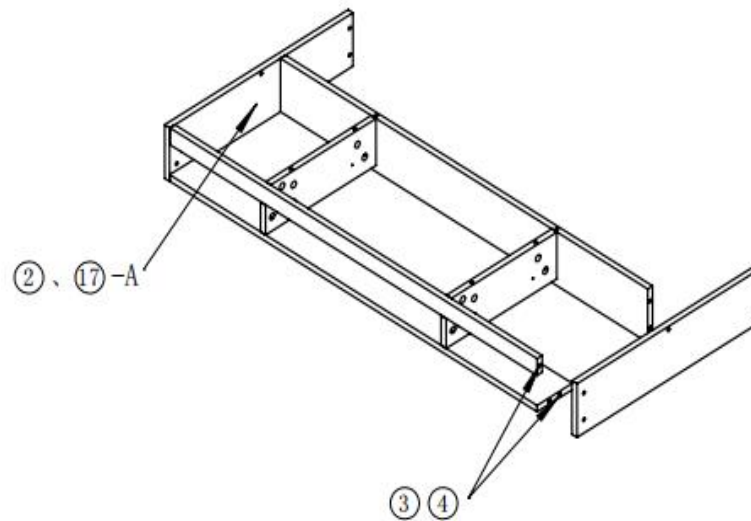
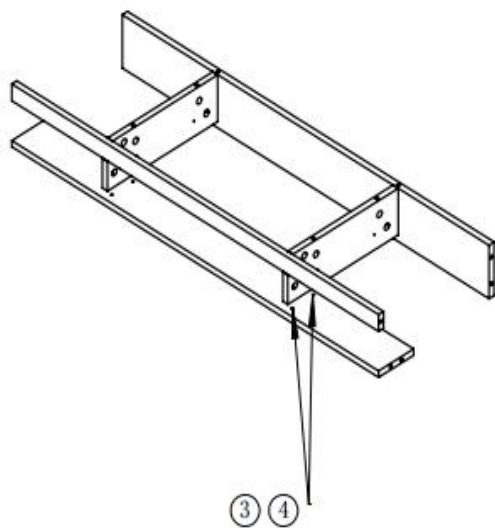


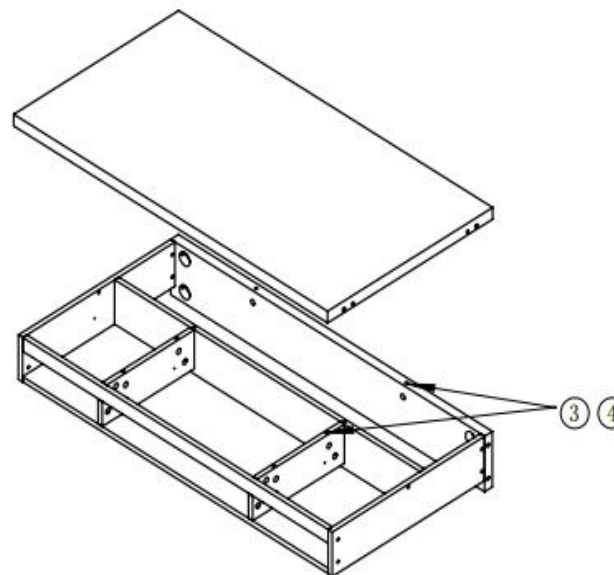
- 1、 a: Install the ⑰-A at the corresponding positions on both sides of the 12 with self-tapping nails ②.  
 b: The 12 use ③ and ④ to connect the 15.  
 c: The 12 use ③ and ④ to connect the 19.



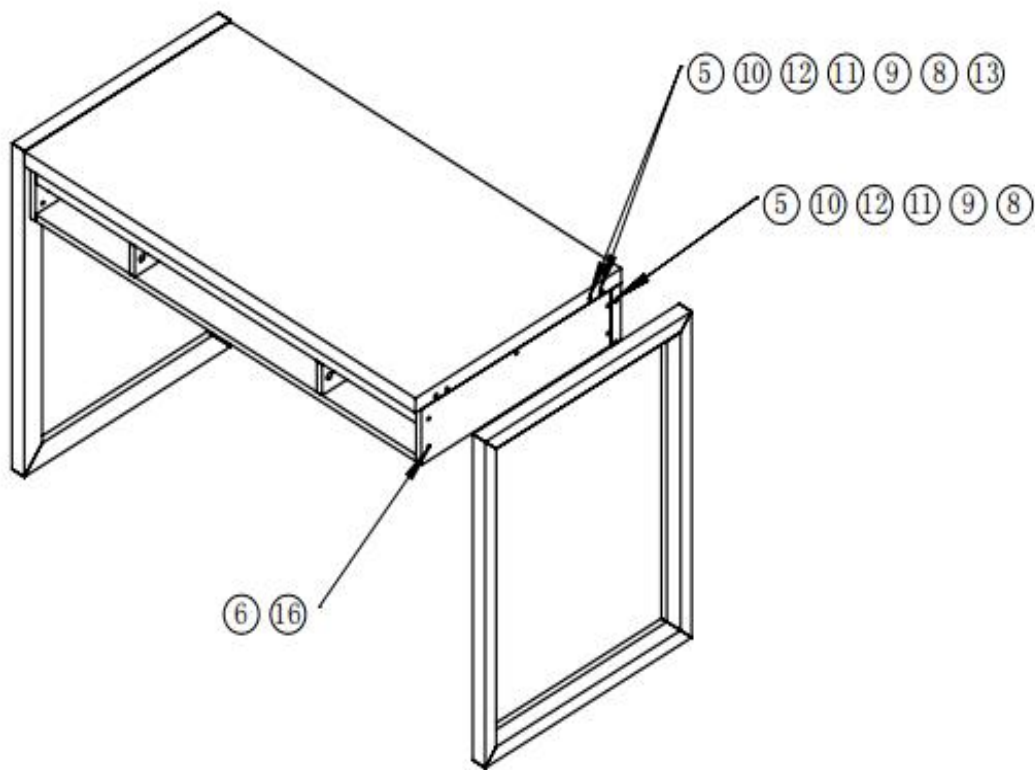
- 3、 a: Install the ⑰-A on the inner side of the 13 and 14 with ②.  
 b: The 19,3 and 15 are connected to the 13 and 14 with ③ and ④.



- 2、 The 13 use ③ and ④ to connect 3;



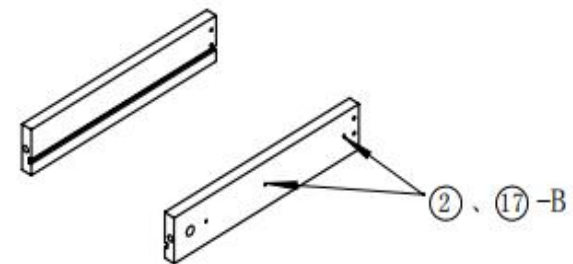
- 4、 The 1 use ③ and ④ to connect 2,15 and 12.



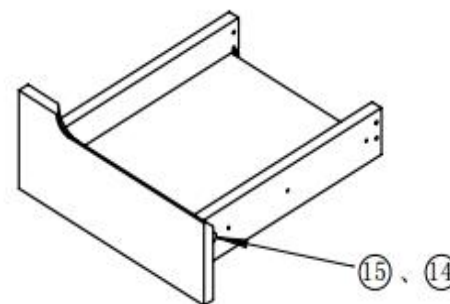
5、 a: The 10 and 11 use ⑤,⑩,⑫, ⑪, ⑨,⑧ to Connect the 2. And install the ⑦ on the large round hole of the 2. At the same time, the 10 and 11 use ⑤,⑩,⑫, ⑪, ⑨,⑧,⑬to Connect the 1.And install the ⑦ on the large round hole of the 1.

b: The 11 use ⑥ and ⑯to connect the 14.

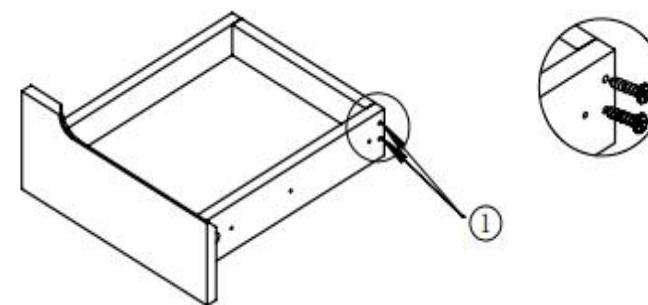
c: The 10 use ⑥ and ⑯to connect the 13.



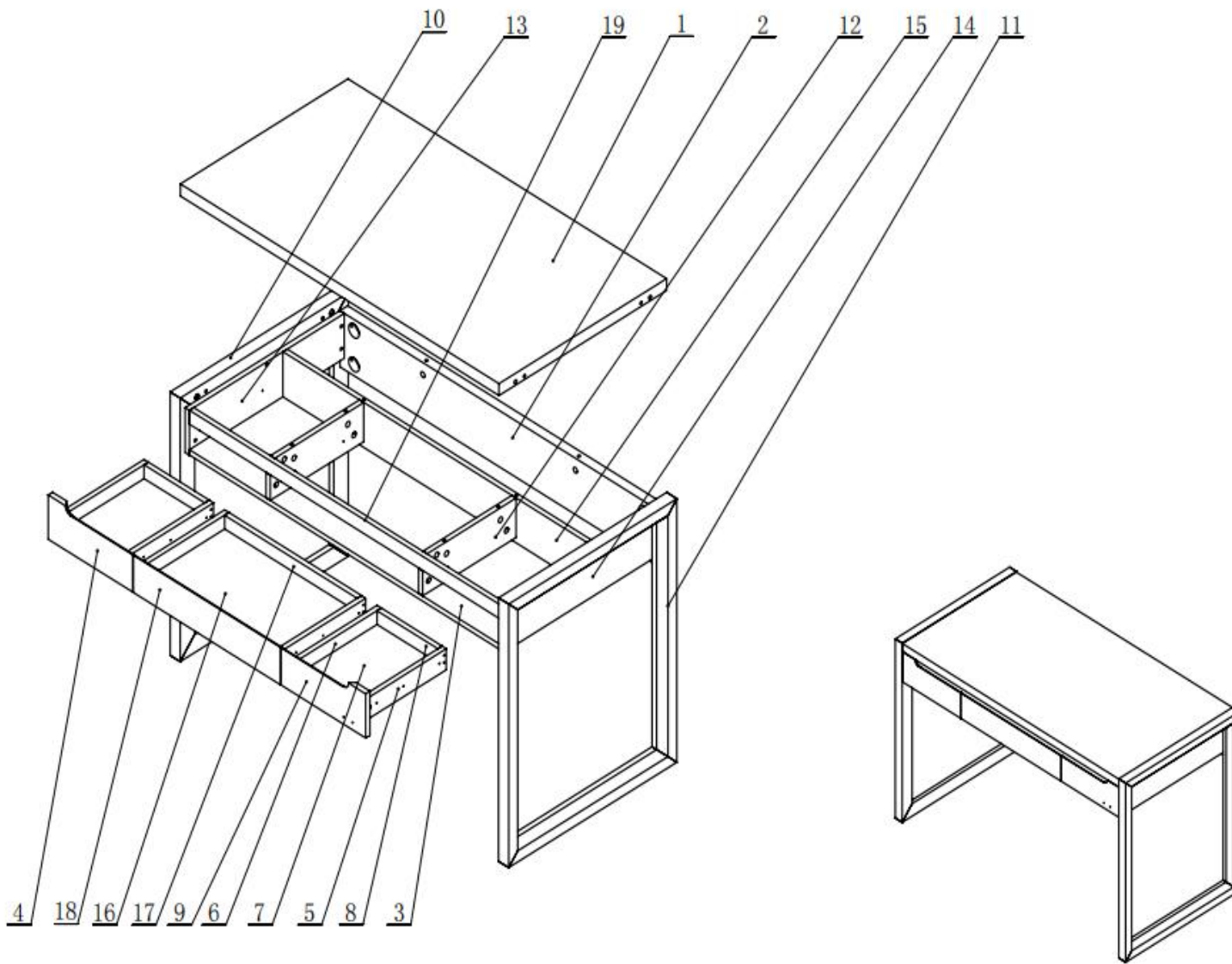
6. Use ② to install the ⑰-B on the outside of the 5 and 6.



7. The 5 and 6 are connected and fixed each drawer surface by ⑮ and ⑭ respectively. And insert the drawer bottom.















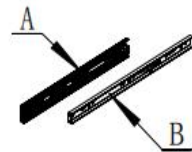




8. ① is used to connect the 5,6 and each drawer end.



Itme	Name	Spec.	Qty
1	Panel	1136X598	1
2	Backplane	1136X160	1
3	Pulling strip	1106X106	1
4	Left drawer surface	301X126	1
5	The right drawer side	300X60	3
6	The left drawer side	300X60	3
7	224Drawer bottom	224X293	2
8	216Drawer end	216X60	2
9	Right drawer surface	301X126	1
10	Left side frame	750X600	1
11	Right side frame	750X600	1
12	Latus inframedium	333X112	2
13	The left side plate	552X128	1
14	The right side plate	552X128	1
15	Support plate	1106X128	1
16	480Drawer bottom	480X293	1
17	472Drawer end	472X60	1
18	Middle drawer surface	525X106	1
19	Drawer trim strip	1106X40	1

## Hardware List

No.	Name	Picture	Qty.	No.	Name	Picture	Qty.	No.	Name	Picture	Qty.
①	M3*30 cross countersunk head tapping screw		12	⑦	Diameter 38mm white sealing cap		8	⑬	8*35 Wood tip		4
②	M3.5*14 cross countersunk head tapping screw		36	⑧	14mm wrench (used for M8 screw nut)		1	⑭	Small tapping buckle bar		6
③	Large tapping buckle bar		26	⑨	Hook load binder (plastic)		8	⑮	Small buckle wheel		6
④	Large buckle wheel		26	⑩	M8 hexagon galvanized nut		8	⑯	Diameter 6mm flat washer		10
⑤	M8*80 double-end galvanized screw		8	⑪	Diameter 8mm flat washer		8	⑰	300MM New three-section drawer slide rail		3
⑥	M6*25 cross bevelling galvanized screw		10	⑫	Diameter 8mm spring washer		8				