


















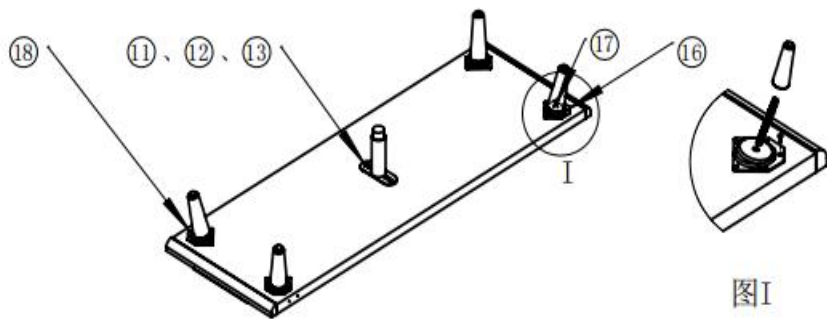


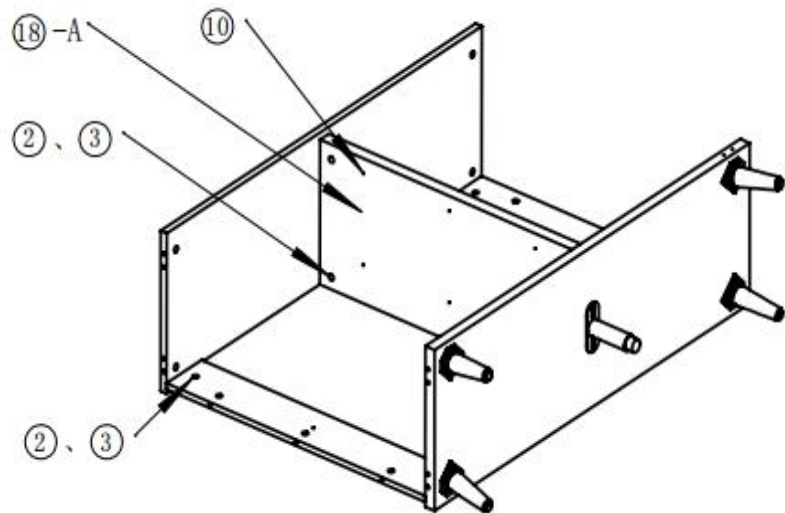
Itme	Name	SPEC	Qty
1	Base plate	1154X393	1
2	Single hole handle	25X32	4
3	Left side plate	820X393	2
4	Top plate	1154X393	2
5	Soft backplane	778X441	2
6	Latus inframedium	770X376	2
7	Right side plate	820X393	2
8	Right drawer side	300X146	2
9	Left drawer side	300X146	1
10	Drawer end	504X146	1
11	Drawer bottom	512X293	1
12	Upleft drawer surface	574X254	1
13	Left lower drawer surface	574X254	1
14	Upright drawer surface	574X254	1
15	Right lower drawer surface	574X254	1
16	Side backing strip	962X128	1
17	Adjustable support leg		1
18	Leg		2

## Hardware List

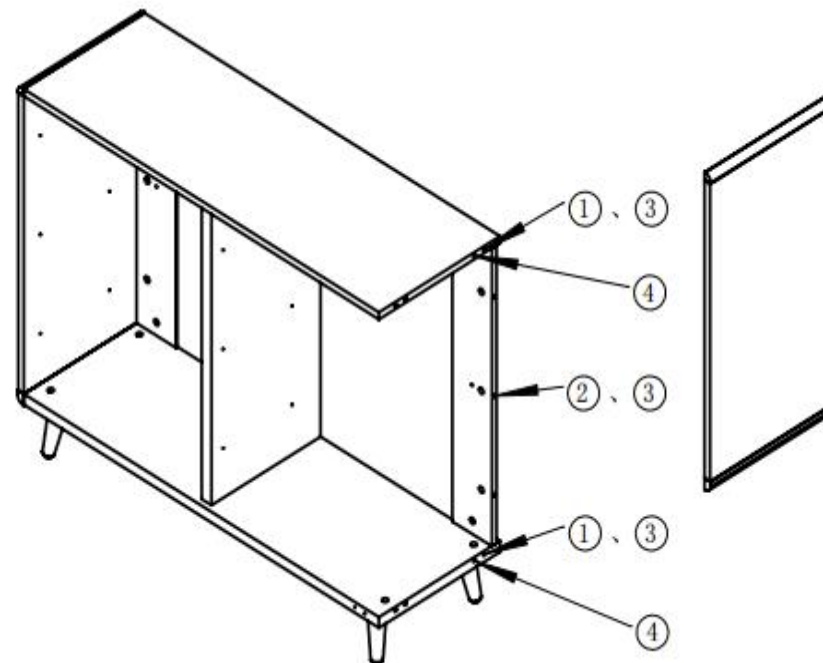
No.	Name	Picture	Qty.	No.	Name	Picture	Qty.	No.	Name	Picture	Qty.
①	Large buckle bar		8	⑧	Diameter 4 concave pad		20	6	Expansion rubber plug		2
②	Large tapping buckle bar		14	⑨	M3*30 cross countersunk head self-tapping nails		24	⑩	M4*20 cross countersunk head self-tapping nails		20
③	Large buckle wheel		22	⑩	M3.5*14 cross countersunk head self-tapping nails		72	⑪	M8*35 double-ended galvanized screw		4
④	8*35 Wood tip		8	⑪	M8*20 cross round head galvanized screw		2	⑫	Leg oblique connecting disk		4
⑤	Small buckle wheel		24	⑫	Dia. 8mm flat washer		2	⑬	300MM three-section rail (Width 36mm)(Black)		6
⑥	Small tapping buckle bar		24	⑬	Dia. 8mm spring pad		2				
⑦	M4*25 cross countersunk head galvanized screw		6	⑭	M5*60 cross countersunk head self-tapping nails		2				



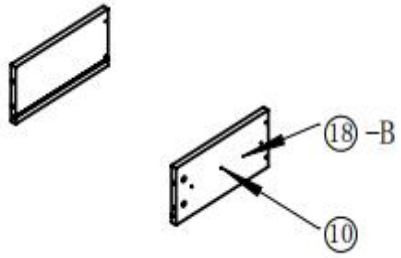
- 1、 a. The ⑱ adopts ⑰ to connect on the 1 (The ⑱ Align the holes in the 1 and the installation direction is low outside and high inside, as shown in Figure I).
- b. The 18 adopts ⑰ to connected and fixed on the ⑱.
- c. The ⑰ adopts ⑪, ⑫, ⑬ to connect the 1.



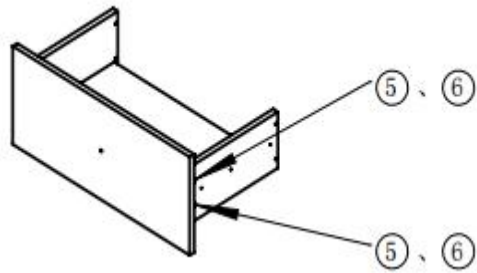
- 2、 a. Install rail ⑱-A on the inside of the 3,6,7 using ⑩,
- b. The 6 and 16 are connected and fixed on the 1 with ③, ②, and then insert the 5.
- c. The 6 and 16 are connected to the 4 with ③ and ②.



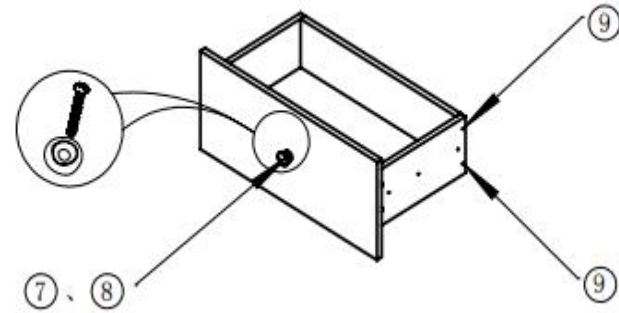
- 3、 The 16 adopts ③ , ② to connect the 3 and 7.  
The 1 and 2 adopts ③, ①, ④ to connect the 3 and 7.



4、 Use ⑩ to install rail ⑱-B on the outside of the 8 and 9.



5、 The 8 and 9 adopts ⑤,⑥ to connect and fixed the 12,13,14,15 respectively, and then insert the 11.



6、  
Using ⑨ to connect the 8,9,10.  
The 2 adopts ⑦,⑧ to connect and fix each drawer surface