



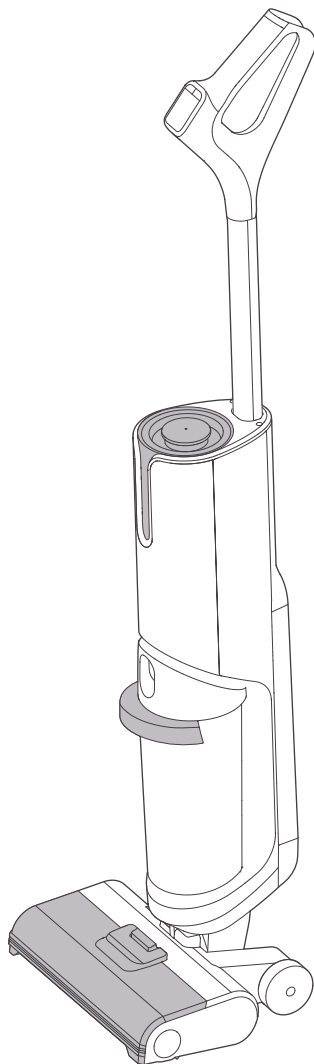
INSTRUCTION MANUAL

Floor Washer

PLEASE READ THE
MANUAL CAREFULLY
BEFORE USING AND
KEEP IT PROPERLY
FOR FUTURE USE

Warning notices: Before using this product, please read this manual carefully and keep it for future reference.

The design and specifications are subject to change without prior notice for product improvement. Consult with your dealer or manufacturer for details.



MVC-X8

Safety Instructions

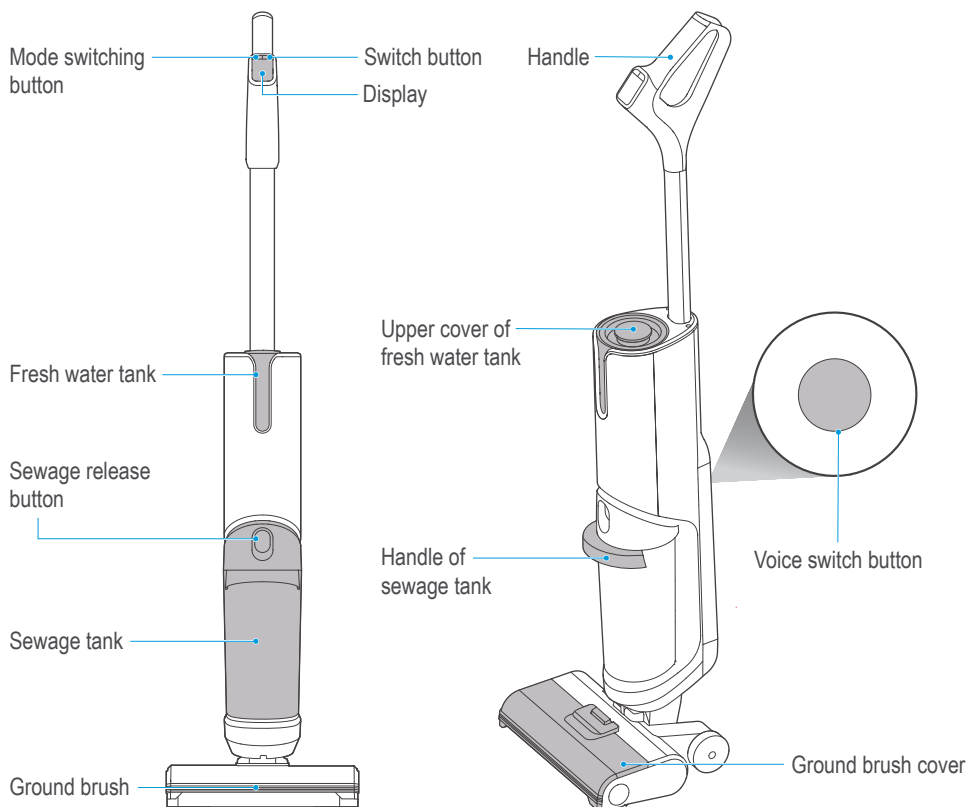
- This product is suitable for hard floors in the indoor home environment, including waxed, stone, rubber, marble, granite, terrazzo, solid wood, laminate, bamboo floors and various mirror tiles, porcelain tiles and other flat surfaces. The product may not reach the best performance on uneven surfaces.
- Do not use this product near or on surfaces that are flammable or explosive, which may lead to a risk of fire and explosion.
- Do not use this product near a working fireplace or heater to prevent deformation of the casing.
- Do not suck in hot substances (unextinguished cigarettes, matches or hot ashes, etc.), ultra-fine substances (such as lime, cement, wood chips, gypsum powder, ashes, charcoal powder, etc.), hazardous substances (such as solvents, descaling agents, etc.), chemical substances (such as acids, cleaning agents, etc.), and other substances with uncertain physical properties.
- Do not use this floor washer to suck up detergent, kerosene, gasoline, alcohol, paint, perfume, etc. These liquids may cause a short circuit, fire or explosion in the machine.
- Do not use this floor washer to suck toners used in laser printers and copiers, which may cause fire or explosion.
- Do not use this floor washer to suck up sharp or large objects such as glass fragments, small toys, pins, paper clips, stones, plaster, large pieces of paper, which may jam and damage the machine.
- Do not use the floor washer to suck up any burning or smoking objects, such as ashes from unextinguished heat sources, burning cigarette ends or matches, etc. Stains such as shoe polish, paint and pigments that are strongly greasy, sticky or stained shall not be cleaned using this device.
- Do not touch the plug or any live part of the product with wet hands to avoid electric shock.
- If the plug is damaged, do not use it any longer. Please call our professional maintenance personnel to replace the damaged plug to prevent hazards.
- Keep the airflow channels and moving parts of this product away from long hair, loose clothing, fingers and other body parts. Do not point the vacuum hose, attachment wand or tool at your eyes, ears, or put them in your mouth.
- Please use the cleaners made by our company and our approved manufacturers, and do not add other solutions to avoid toxic and harmful gases.
- When using the device, in case of current leakage or over temperature or noise of the motor, as well as other abnormal conditions such as body overheating, noise, odor or weak suction, you should immediately stop using the device and call our professional maintenance personnel.

Safety Instructions

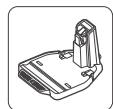
- After using the device, please clean up the sewage bucket in time to avoid odor and keep the ventilation path open to avoid blockage causing a decrease in suction power and motor heating, thus affecting the service life of the floor washer.
- After using the machine, please keep it in a dry place. Humidity will affect the insulation and service life of the machine. The floor washer body and floor brush have energized settings and cannot be soaked or rinsed in water.
- Please check the condition of the nozzle regularly. If there is any blockage, please clear it in time to avoid the decrease of suction power caused by the blockage, affecting the performance of the machine.
- Make sure to turn off the machine before replacing the rolling brush.
- In case of any of the following conditions, please don't use the machine and send it to the service store assigned by our company:
 1. The cleaner has fallen from a high place, leading to obvious damage or operation failure.
 2. The power cord is damaged.
- Do not disassemble the closed machine by yourself. There are no parts in this machine that can be repaired by customers themselves. Do not try to modify the performance of the machine, otherwise it will lead to danger.
- The use of voltage that does not meet the specifications of the product will damage the product and may cause injury to the user.
- When sweeping stairs, extra care should be taken to prevent falling.
- Do not shake the machine up and down or bump it violently to prevent sewage from flowing into the motor.
- When the motor is working, do not lift or carry the machine up and down, and do not put the machine to one side or flat to prevent sewage from flowing back to the motor.
- To prevent tripping and falling, the machine should be placed against the wall after using it.
- Do not use the machine if the fresh water tank and sewage tank are not properly installed.
- Do not place any small objects on the air outlet, do not block the air outlet, and remove any small objects that may hinder the smooth airflow of the air outlet to prevent the machine from overheating.
- Do not get the machine body wet, otherwise there is a risk of fire due to short circuit of the machine.
- All technical and other data contained in the Use Instructions is obtained by our company or a designated third party testing company. The final interpretation right belongs to our company

Product Introduction

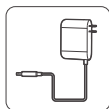
Introduction to Parts



List of accessories



Charging base



Adapter



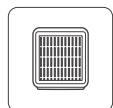
Accessory holder



Cleaning fluid



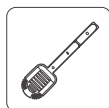
Rolling brush



Hepa



Cleaning brush



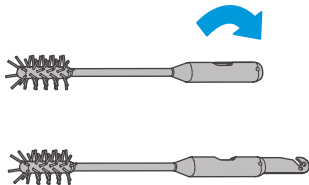
Cleaning spoon

Product Introduction

Accessories Introduction

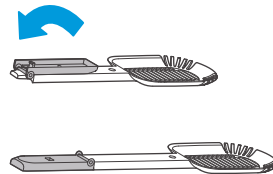
1 Cleaning brush

- A brush at one end, which can be used to clean the stubborn dirt attached to the inner wall of the sewage tank.
- The other end is a rotating blade that can be used to clean the tangled hairs on the rolling brush.



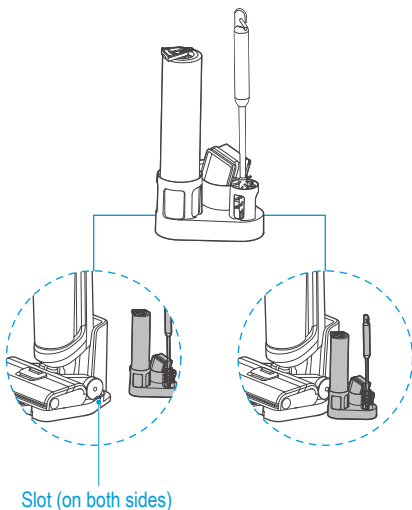
2 Cleaning spoon

- The cleaning spoon has a folding extension handle, which can be unfolded for use when needed according to the illustration;
- It can be used to filter solid waste such as particulate matters and hair.



3 Accessory holder

- It can be used to store rolling brush, cleaning brush and Hepa;
- Insert the projection part of the accessory holder into the slot of the charging base to fix it (there are slots on both sides of the charging base for fixing accessory holder)



4 Cleaning liquid

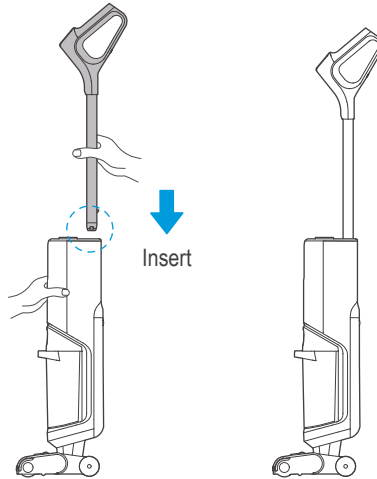
- To carry out depth cleaning, just put cleaning liquid into the water tank after it is filled with water according to the specified proportion.



Use of Product

Installation of the handle

Insert the end of the handle into the port of the host vertically to the bottom position until a click could be heard. Pull it again to ensure that it could not be removed and that the handle is firmly connected to the machine body. Then the installation is successful.

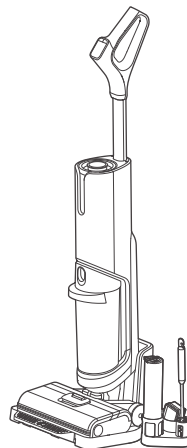
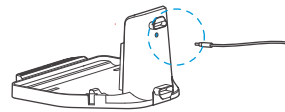


Charging the machine

⚠ Notes

- Charge the product before using it for the first time.

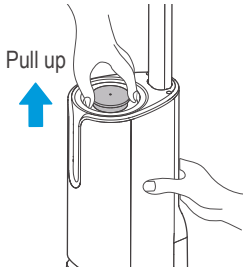
- 1 Insert the charging end of the adapter into the rear port of the charging base and connect the plug to the power supply.
- 2 Put the whole machine upright on the charging base to start charging, then there will be a voice prompting "start charging", while the screen shows the charging power.
- 3 It will take about 4-6 hours to fully charge the machine, and the screen turns off after the battery is full, while the machine is automatically powered off.



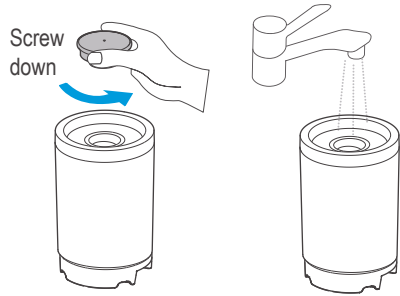
Use of Product

Fresh water tank filling

- 1 Hold the body of the machine with one hand, and grab the upper cover of the fresh water tank to take it out of the machine vertically.



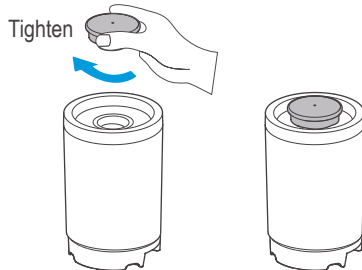
- 2 Remove the upper cover of the fresh water tank and fill the tank with tap water.



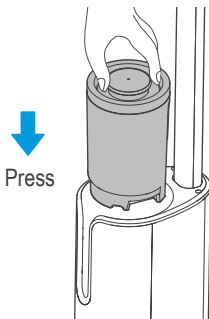
- 3 To carry out depth cleaning, just put cleaning liquid into the tank after it is filled with water according to the specified proportion.



- 4 Screw the top cover of the water tank to ensure that it is closed tightly.



- 5 Install the fresh water tank back into the machine in the direction indicated by the printed words "this side facing forward" until the sound of click is heard.



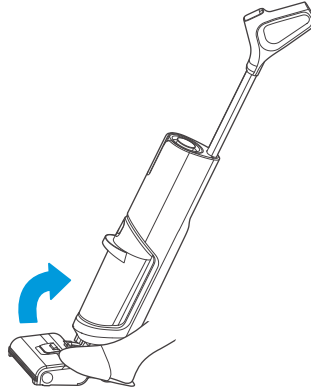
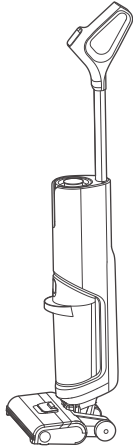
- 6 In case of water shortage of the fresh water tank, there will be a sound prompt.



Use of Product

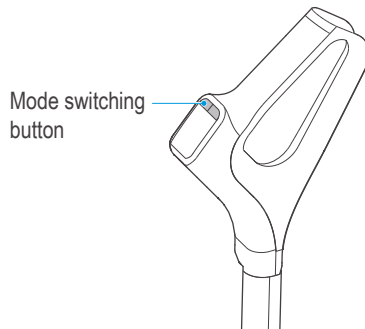
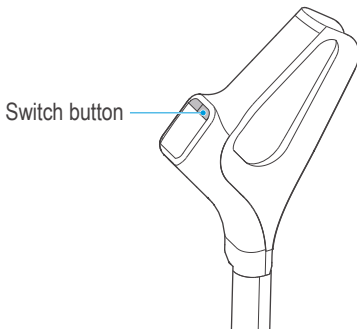
Turning on and cleaning

- 1 After the machine is fully charged, remove it from the charging seat, step on the ground brush and pull the handle diagonally and rotate the machine until the click sound is heard, at which time the machine enters the standby working state;



- 2 Start working: press the switch button to turn on the machine, and press this button again, the machine stops working.

- 3 Mode switching: the whole machine starts in the automatic mode by default. Press the mode switch button, the machine will be switched to rapid suction mode, press this button again, the machine will be switched to automatic mode.



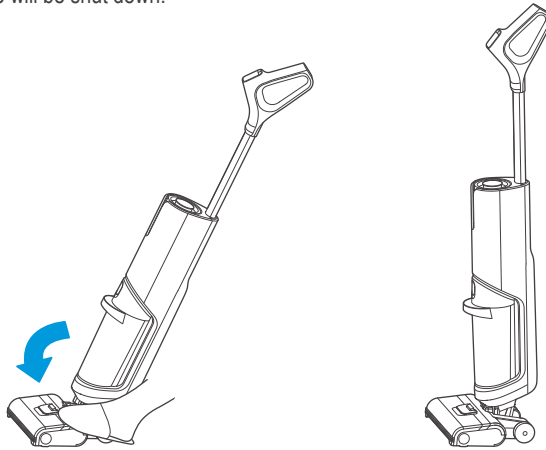
Note

- Automatic mode: the machine pump will work to wet the rolling brush lint for floor washing;
- Rapid suction mode: the machine pump will not work, and the machine can suck the residual water on the floor in a dry or rapid way;
- After using the machine, it is recommended to put the machine vertically on the charging base provided for your machine.

Use of Product

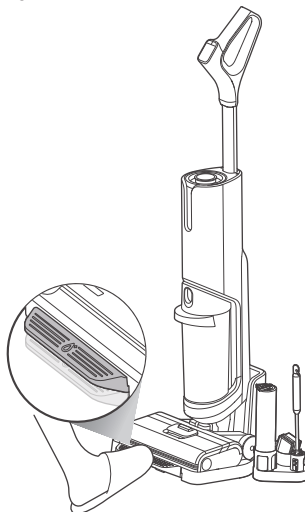
Vertical switch

The machine is equipped with a vertical switch and it can rotate upright until the click sound is heard. Then the machine stops running and is in standby mode. After standing by for one minute without operation, the machine will be shut down.



Self-cleaning function

After putting the machine onto the charging base, make sure that the machine is in charging state. After stepping on the charging base pedal with your foot for 2 seconds, the self-cleaning function will be started. After the self-cleaning is finished, please clean the sewage tank in time. If there is residual stain on the base, please clean it in time.



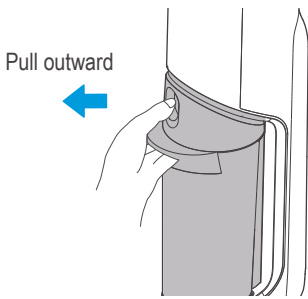
Use of Product

Cleaning of sewage tank

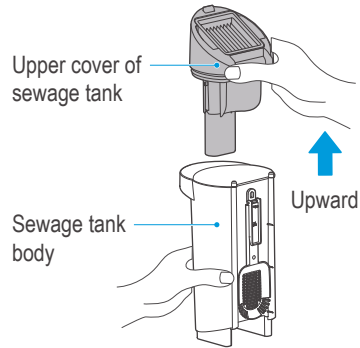
⚠ Notes

- After cleaning, it is recommended to put the machine upright on the charging base at a place without direct sunlight or moisture;
- In order not to affect the performance of the machine, the components of the machine shall be maintained regularly;
- Before cleaning the machine, please cut off the power supply to stop its operation;
- Clean the machine with water or neutral detergent, dry the cloth before washing the machine, and do not let the water get into the electrical components of the machine.

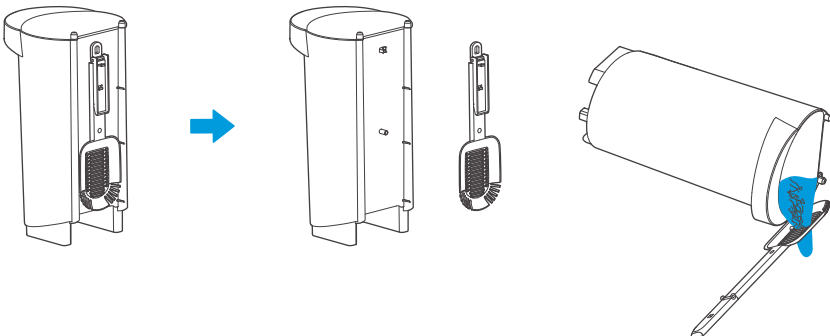
- 1** Hold the machine with one hand, and pull the sewage tank button outward with the other hand to remove the sewage tank;



- 2** Hold the machine with one hand and pull the upper cover of the sewage tank upward;

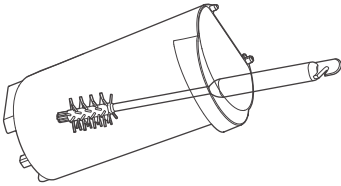


- 3** As shown in the figure, pour out the sewage from the side of the tank, and if there is solid-liquid mixed waste in the tank, it is recommended to remove the cleaning spoon at the back of the sewage tank to filter the particles and hair. If there is still solid waste left in the sewage tank after cleaning, rinse and filter the tank repeatedly, or unfold the extended handle of the cleaning spoon and stick the cleaning spoon into the sewage tank for cleaning;

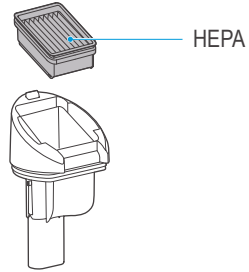


Use of Product

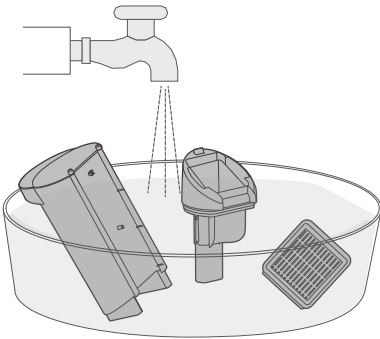
- 4** Pour out the sewage from the side of the tank as shown in the figure, and if you find any stubborn dirt on the inner wall of the tank, please clean it directly with a cleaning brush;



- 5** Remove the Hepa from top of the sewage tank.



- 6** After taking the Hepa out of the tank, clean it with fresh water, dry it completely and then install it back to the sewage tank.



- 7** After removing the sewage, install the sewage tank back to the machine until the click sound could be heard.



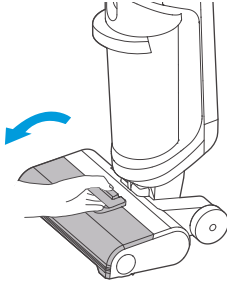
Use of Product

Cleaning of the ground brush cover

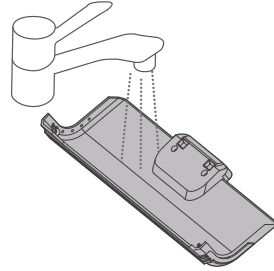
⚠ Notes

- After using the machine, wash the ground brush cover regularly to keep the machine tidy and clean.

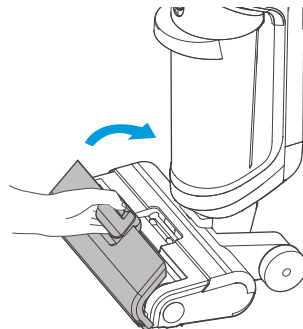
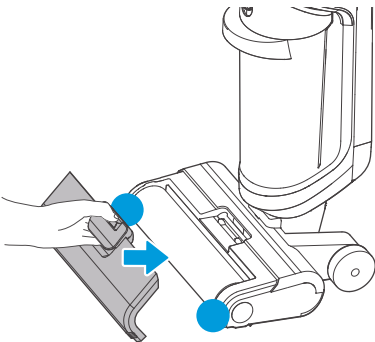
- 1** Put your fingers on the positions shown in the figure, press the front end of the release button with your thumb and pull it out with your middle finger and index finger to remove the ground brush cover;



- 2** After taking it out, wash it with fresh water until it is clean;



- 3** After cleaning, align the snaps at both ends of the floor brush cover with the slots at both ends of the floor brush, rotate and press the lift handle of the floor brush cover until a click sound is heard, and the installation is successful.



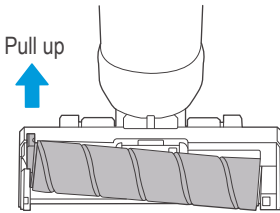
Use of Product

Cleaning of rolling brush

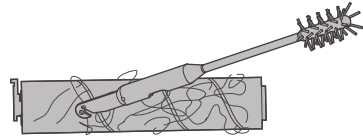
⚠ Notes

- If residual stains are found on the mouth of the suction nozzle, wipe with a damp rag, and do not rinse it with water;
- After using the machine each time, clean and dry the rolling brush timely to keep it clean and tidy.

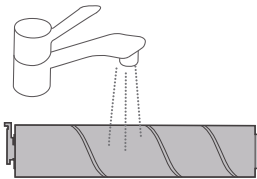
1 Pull the handle on the left end of the rolling brush to remove the rolling brush.



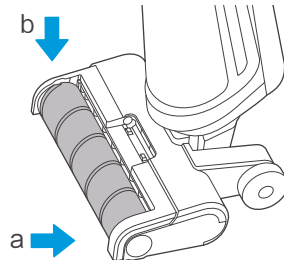
2 Remove the rolling brush, open the rotation blade of the cleaning brush to remove the things tangled on the brush such as hair.



3 Wash the rolling brush with fresh water.



4 After cleaning, pinch the brush handle with your hand, align the right side of the brush shown in Figure a with the right end cover first, then put the left end of the brush handle shown in Figure b into the slot, and the brush will be successfully installed.



Troubleshooting

Please check the following table in case of any abnormal conditions when using the product.

Abnormal Condition	Possible Reason	Solution
The floor washer does not work	<ul style="list-style-type: none"> - The rolling brush has been tangled by hair - The sewage tank is full - Water shortage in fresh water tank - Low battery 	<ul style="list-style-type: none"> - Clean the rolling brush - Empty the sewage tank - Refill the fresh water tank - Charge the machine
Suction force is weakened	<ul style="list-style-type: none"> - Rolling brush, rolling brush cover or the sewage tank is not installed properly - The rolling brush has been tangled by hair - Suction nozzle or pipe is blocked - The filter screen on the floater is dirty - The sewage tank filter is dirty or missing 	<ul style="list-style-type: none"> - Reinstall them - Clean the rolling brush - Remove the obstacles inside the suction nozzle or pipe - Clean the filter screen before using the machine - Clean or install the filter before using the machine
Fan operation noise	<ul style="list-style-type: none"> - Suction nozzle is blocked - Sewage reaches certain level in the tank 	<ul style="list-style-type: none"> - Remove the obstacles inside the suction nozzle - Take out the sewage tank to remove the sewage before using the machine
No water could be sprayed from the ground brush	<ul style="list-style-type: none"> - No water in the fresh water tank - The fresh water tank is not installed properly 	<ul style="list-style-type: none"> - Refill the fresh water tank - Reinstall the fresh water tank
Water leakage at air outlet	<ul style="list-style-type: none"> - The floater of the sewage tank is blocked - The sewage tank filter is not dried after washing and using 	<ul style="list-style-type: none"> - Remove the foreign matter at the floater of the sewage tank - Dry the filter after washing and using it before using it again
Water leakage at the bottom of the ground brush	<ul style="list-style-type: none"> - Sewage tank or sewage tank filter is not installed 	<ul style="list-style-type: none"> - Install the sewage tank and its filter