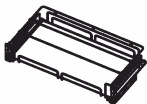
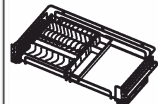
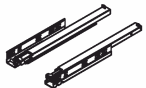








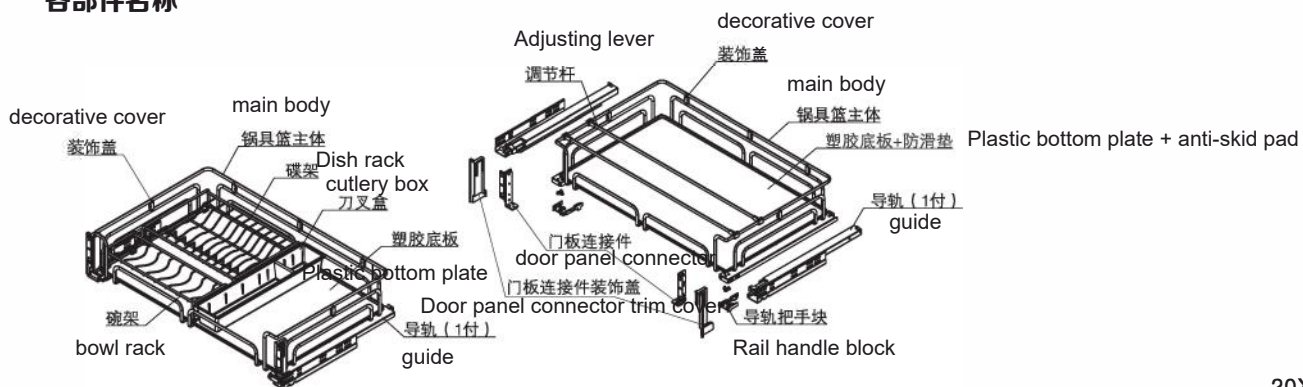


Accessories

(锅具篮)或(碗碟篮) basket/ basket with rack	① 导轨 slide	② 导轨把手块 Slide connector	③ 门板连接件 door connector	⑤ 防滑垫 non-slip mat
1 pcs	1 set	1 set	1 set	1 pcs
 Pot basket	 dish basket			
	④ 导轨垫片 shim 2 pcs	⑨ ST4*8 (for 1.6mm panel)		(for Pot basket)
⑥ 连接件装饰盖 connector deckboard	⑦ M5 * 8	⑧ ST4 * 14	⑩ 膨胀塞 wall plug	⑪ 定位纸模板 paper pattern
1 set	6 pcs	6+6pcs	4PCS	6 pcs
				
				

各部件名称



When the door panel is not required, just do not install the door panel.

二、安装说明 Installation Notes

In order to avoid accidents, the installation work must be completed by professional installers

1. Please read this installation manual carefully before installation. This pull basket is suitable for cabinets with a thickness of 16~18mm, a depth of 500~550mm, and a height of 660-700mm; Occupies the height space of the cabinet. In addition, the handle-free cabinet will occupy the cabinet space to a certain extent, resulting in limited functions of the pull basket.

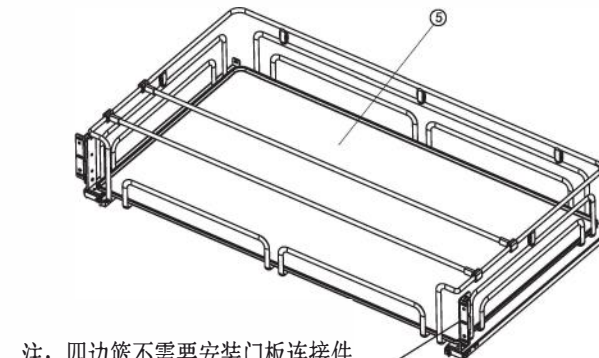
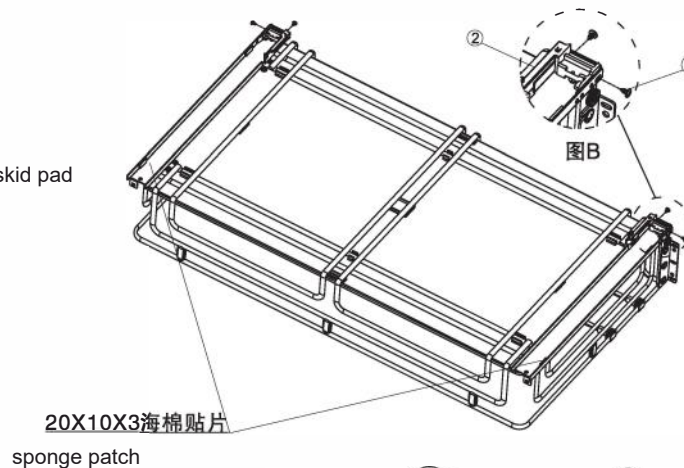
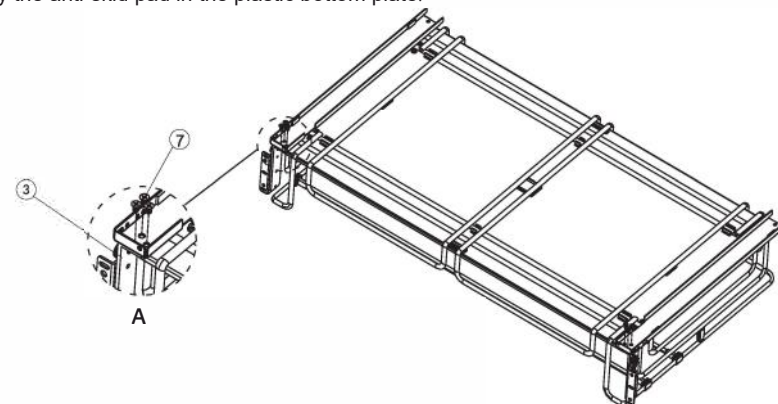
2. In order to ensure the installation quality and performance of the pull basket, ensure that the track is installed in the standard cabinet, and it is strictly forbidden to install a small pull basket into a large box (such as a 300 pull basket in a 350 wide box), otherwise it will easily cause the pull basket to be unable to be installed and pumped. Pulling is not smooth, the panel is difficult to adjust, etc.

3. Please install the part with the water receiving tray in place, otherwise the water droplets from the bowl will drip onto the cabinet board in the later use process, which will easily cause the cabinet to become mildewed.

4. To ensure smooth installation, please use the accessories included in the package. , otherwise it is easy to cause the installation error of the pull basket;

Installation step 1

- 1.0. Assemble the door panel connector (picture A)
- 1.1. Assemble the guide rail handle block (picture B)
- 1.2. Lay the anti-skid pad in the plastic bottom plate.



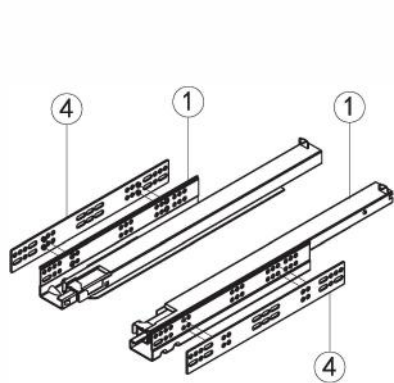
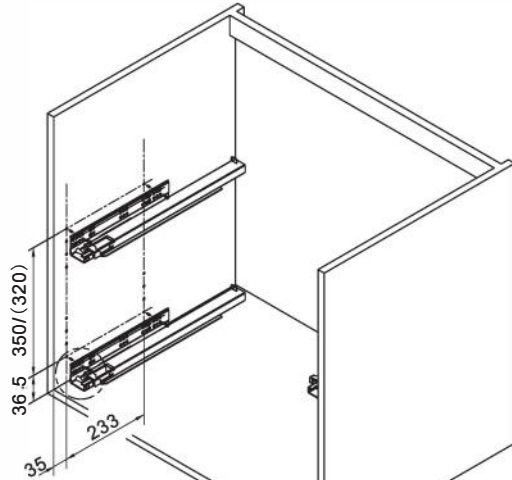
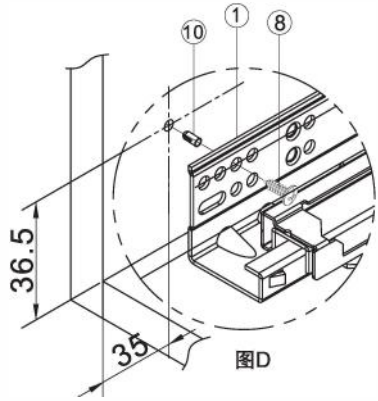
注：四边篮不需要安装门板连接件

Note: The four-sided basket does not need to install the door panel connector

STEP 2

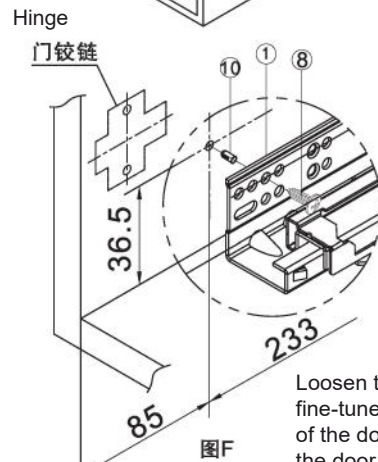
- 2.0 Drill a 5mm round hole on the side plate according to the size required in the picture, and install the No. 10 expansion plug into the drilled hole on the side plate (please see the note below this page);
- 2.1 Then use the No. 8 screw to pass through the third hole in the upper row of the No. 1 guide rail (see the figure below for details) and screw in the expansion plug (Picture D)
- 2.2 Install the other rail in the same way

Note: When the cabinet height H=700 or 660, Select the corresponding installation size. When H=700mm, choose 350 size, Select size 320 when H=660mm.



图E

Note: When the thickness of the cabinet panel is 16mm, The outer side of the rail side plate needs to be padded with rail gaskets; When the thickness of the cabinet panel is 18mm, Rail side plates do not need rail spacers (Picture E)



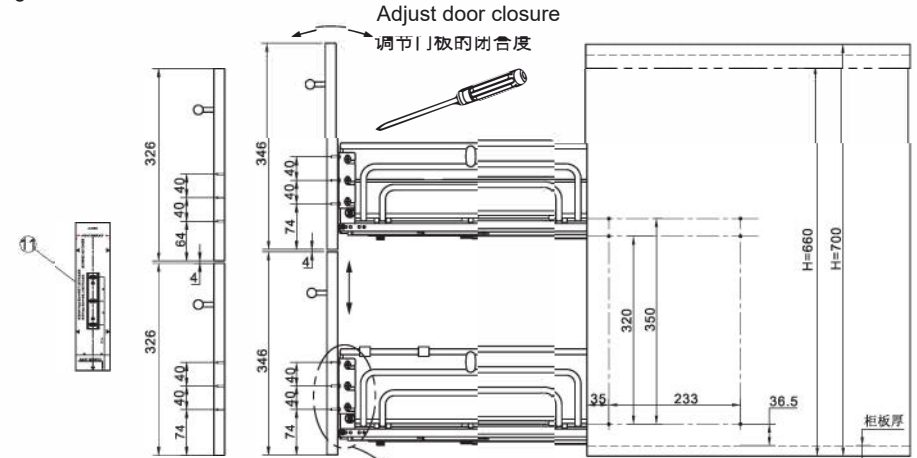
图F

Loosen the screws of the door panel, fine-tune the left and right deviation of the door panel, and then tighten the door panel screws

Note: When the cabinet is installed with a four-sided basket, the size of the installation hole is 87 size (Picture F)

Step 3:

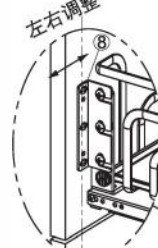
- 3.0 Install the basket in parallel to the correct position of the guide rail in the cabinet;
- 3.1 Place the dish rack and the bowl rack in the correct position of the upper basket;
- 3.2 Position and install the door panel connector according to the door panel hole size as shown in the figure;



Note: the size of the installation hole of the cabinet door, you can choose the corresponding paper template 11 to locate

Loosen the screw, turn the eccentric wheel to adjust the upper and lower deviation of the door panel, adjust the front and rear closing degree at the same time, and then tighten the screw.

Adjust left and right



松开门板的螺丝, 微调门板左右偏差, 再紧固门板螺丝;



Front and rear angle adjustment

前后角度调整

上下调整

Adjust up and down

Note: The guide rail must be installed on the rail handle block (the guide rail is in the pulled out state, push forward against the tail of the guide rail)

Cabinet size		Size
柜体尺寸"W"	尺寸"B"	
600	538	
750	688	
800	738	
900	838	