

Air Curtain

(N-series)

User's manual

Before the use please carefully reads this instruction book and installs by the specialist.

1. If the supply cord is damaged, it must be replaced by the manufacturer, its service agent or similarly qualified persons in order to avoid a hazard.
2. This appliance is not intended for use by persons (including children) with reduced physical, sensory or mental capabilities, or lack of experience and knowledge, unless they have been given supervision or instruction concerning use of the appliance by a person responsible for their safety.
3. Children should be supervised to ensure that they do not play with the appliance.
4. The method of fixing is not to depend on the use of adhesives since they are not considered to be a reliable fixing means.
5. Ensure that the fan is switched off from the supply mains before removing the guard.

Product Overview

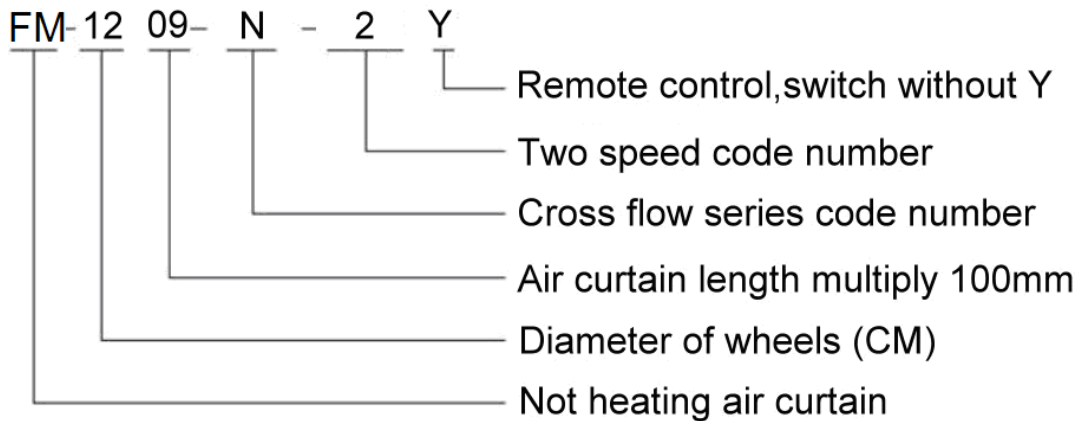
Our company produces the FM series air curtain, which relies on the company flow survey center to ventilate domain many year accumulations the core technologies, in absorbs the domestic and foreign advanced experiences fully in the foundation, develops new generation sequence product. Including centrifugal and cross flow air curtain. This product air volume is suitable, the noise is low, suits installs guesthouse, meeting room, theater, office, freezer storage, operating room and so on, widely applies electron, measuring appliance, drugs manufacture, food, precision sizing, medical service. (For example entrance) forms the curtain wall in the specific region, has is cut off the inside and outside air mixing, the reduced heat change, Moisture-proof, Provide against pollution, against fly screen.

Definition

Air curtain code definition is as the belows,

	Project	Code number
air curtain machine name	Not heating air curtain	FM
Installs the pattern	Horizontal installment	—
	Vertical installment	C
Heat source type	Hot water	S
	Steam	—
	Electricity	D
Air blower pattern	cross flow series	—
	Centrifugal series	L
	The axis flows series	Z

The model explanation



Select Model

Selecting the model mainly basis the width and height of the door, the length of air curtain and the wind wheel diameter of air curtain. General speaking, the width of door should be shorter than the length of air curtain, please use two or more assemblies; If the door is higher, please select the bigger diameter of wheel air curtain, Otherwise then selects the smaller diameter of wheel air curtain; When the environment is quiet, please select the smaller diameter of wheel air curtain

Ambiance of air curtain

Project	Specification
Working conditions temperature, °C	-10~40
Ambient air relative humidity, %	≤90
Altitude above sea level, m	≤1000
Fixed supply voltage deviation, %	±10

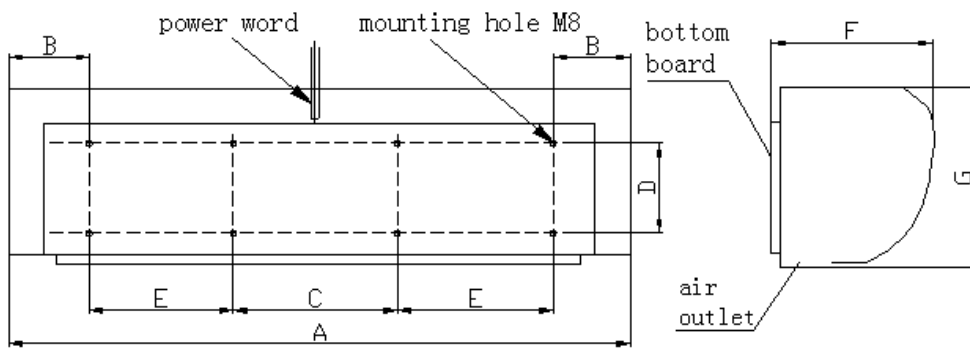
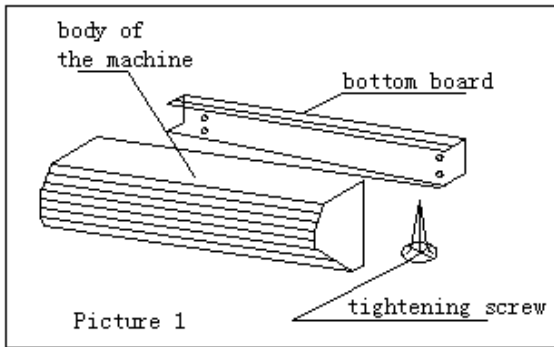
Installation sizes

The external dimensions and install the size:

Model	A	B	C	D	E	F	G
FM-1206N-2(Y)-(MC)	600	30	240	100	300	195	220
FM-1209N-2(Y)-(MC)	900	30	240	100	300	195	220
FM-1210N-2(Y)-(MC)	1000	80	240	100	300	195	220
FM-1212N-2(Y)-(MC)	1200	30	300	100	420	195	220
FM-1215N-2(Y)-(MC)	1500	30	360	100	360	195	220
FM-1218N-2(Y)-(MC)	1800	30	300	100	420	195	220
FM-1220N-2(Y)-(MC)	2000	100	360	100	360	195	220

FM-1509N-2(Y)-(MC)	900	30	240	100	300	225	255
FM-1512N-2(Y)-(MC)	1200	30	300	100	420	225	255
FM-1515N-2(Y)-(MC)	1500	30	360	100	360	225	255

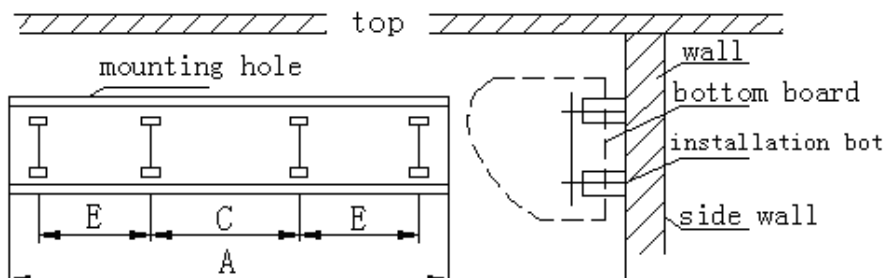
The air curtain had already designated on the best installment hole on the bottom for the user. Please loosen the binding screw, separates the bottom from the box body, has been equipped with the installment hole on the bottom (Picture 1). When it is installed, the position must be accurate and be reliable, the method of installation to be as follows:



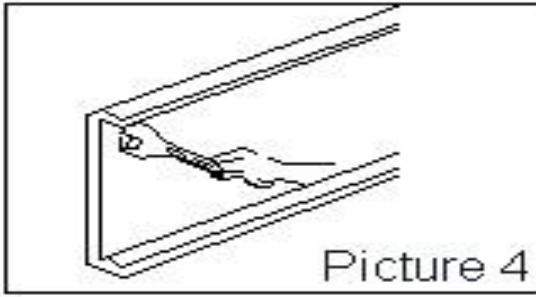
Picture 2

1. Fix on the concretes wall

- (1) According to the different specification is to be gives the mounting dimensions, chose the position (picture 2)
- (2) Splits out explodes bolt's hole which matches M8 to pull on the position, will pull explodes the bolt to fix on the concretes wall, simultaneously should protect bolt's swinging radius is 15mm. (picture 3)
- (3) With the gasket, the nut fasten the bottom, then install the complete machine (picture 4)

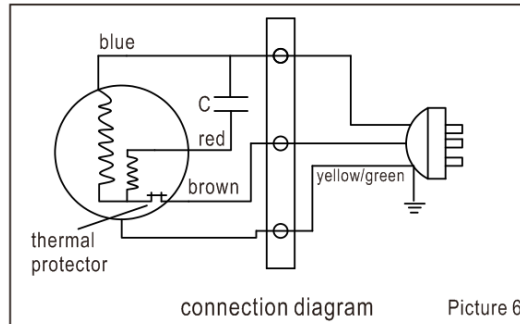
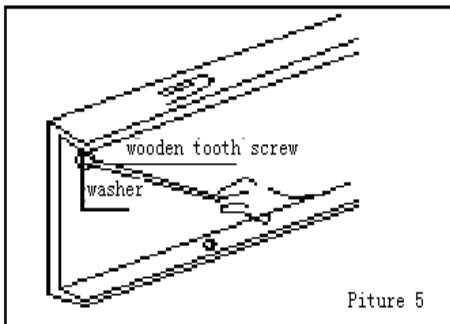


Picture 3



2. Installation on the wood wall

With the wooden tooth screw fixed firmly the bottom on the good position (picture 5), then installs the complete machine again.



Preparation of Installation

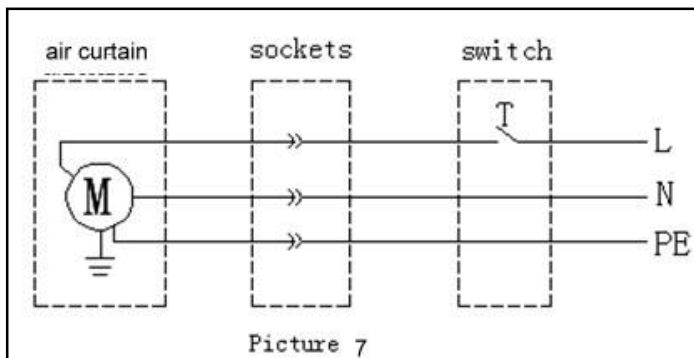
When customer installs the air curtain, please note the following, can increase the efficiency of air curtain.

1. Please install on the solid place, prevents the work from vibration, prevents noise which vibration to be produces.
2. Please install the air curtain on the inside of the room.
3. Please install to be suitable the model, if the installation position is too high, will be unable to display is scheduled the function.
4. When installs the air curtain, make sure the air outlet is right to the bottom of fitting surface.
5. If the width of door wider than the length of air curtain, please use two or more assemblies. In this situation, please make sure the distance is about 20~40mm.
6. When install the air curtain, please make sure the air curtain hanged the wall plate and the wall cannot leave space.
7. The distance between the air curtain and the ceiling do not be smaller than 30mm.
8. Please make sure the level to install.
9. When installed, please make sure the distance between air outlet and the ground more than 2.3m

The control use of air curtain

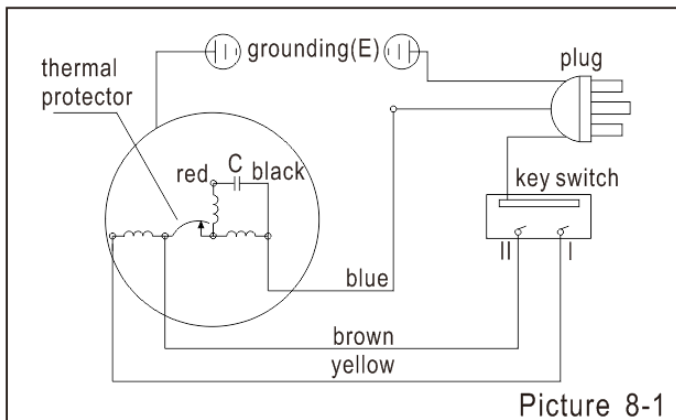
1. Single speed air curtain control circuit (Picture 6); Installation of flange connecting valve is on diagram

(Picture 7), It is controlled by outside switch, if connected the outside knob, it will achieve the stepless speed



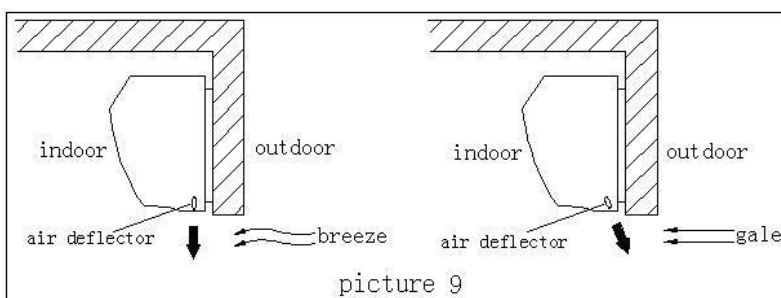
Picture 7

2. With key switch two speed air curtain control circuit (Picture 8-1.; Please press I or II, then obtains the appropriate air speed, presses the OFF key to stop



Picture 8-1

3. The air deflector of air curtain is adjustable, The air direction changed depends to the air deflector. (Picture 9)



picture 9

The technical parameter

Item Model	Rated Voltage (V)	Rated Frequency (Hz)	Specification (mm)	Max Input Power (w)	Max Input Flow (m ³ /h)	Max Wind Speed (m/s)	Noise (dB)	N.W (kg)	Fuselage Size (mm)	Packing box (mm)	Effective height (m)
FM-1206N-2(Y)-(MC)	220-240	50	120	120	1180	11	≤44	9.4	600×220×195	660×280×250	3
FM-1209N-2(Y)-(MC)	220-240	50	120	150	1780	11	≤45	12.8	900×220×195	960×280×250	3
FM-1210N-2(Y)-(MC)	220-240	50	120	180	1980	11	≤46	13.8	1000×220×195	1060×280×250	3
FM-1212N-2(Y)-(MC)	220-240	50	120	180	2370	11	≤47	15.7	1200×220×195	1260×280×250	3
FM-1215N-2(Y)-(MC)	220-240	50	120	220	2970	11	≤47	19.9	1500×220×195	1560×280×250	3
FM-1218N-2(Y)-(MC)	220-240	50	120	280	3560	11	≤50	23.0	1800×220×195	1860×280×250	3
FM-1220N-2(Y)-(MC)	220-240	50	120	320	3960	11	≤51	24.5	2000×220×195	2060×280×250	3
FM-1509N-2(Y)-(MC)	220-240	50	150	165	1960	11	≤47	18.0	900×255×225	960×320×280	3
FM-1512N-2(Y)-(MC)	220-240	50	150	180	2610	11	≤49	21.8	1200×255×225	1260×320×280	3
FM-1515N-2(Y)-(MC)	220-240	50	150	240	3260	11	≤50	27.0	1500×255×225	1560×320×280	3

Service and maintenance

- 1.The power should be cut off before inspection and maintenance.
- 2.Motors, electrical components should be moisture-proof to prevent a short circuit.
- 3.Every six months to carry out a normal periodic repairs and maintenance to remove the dirt from air curtain.

Please use cleaning detergents to clean, and then wipe with a clean soft cloth.

Do not use gasoline, thinner, kerosene, fungicides or metal brush to clean the machine.

- 4.Damaged supply cords to be replaced by the manufacturer, service agent or similarly qualified person to avoid hazard

Product warranty

- 1.This appliance is not intended for use by persons (including children) with reduced physical, sensory or mental capabilities, or lack of experience and knowledge, unless they have been given supervision or instruction concerning use of the appliance by a person responsible for their safety.
- 2.Children should be supervised to ensure that they do not play with the appliance.
3. In one month after products be sold, the products quality is indeed a problem. The products return, replacement or repair free of charge.
- 4.The product sold within one year, under normal use and maintenance of machines ,The products in the free repair period.

