

Cumbia

COFFEE 66 SMART

Cafetera de goteo / Drip coffee Machine/Кавоварка
крапельна/Кофеварка капельная



cecotec

Manual de instrucciones
Instruction manual
Інструкція з експлуатації
Руководство по
експлуатации

Instrucciones de seguridad	3
Safety instructions	6
Instructions de sécurité	9
Sicherheitshinweise	12
Istruzioni di sicurezza	15
Instruções de segurança	18
Veiligheidsvoorschriften	21
Instrukcje bezpieczeństwa	24
Bezpečnostní pokyny	27

ÍNDICE

1. Piezas y componentes	30
2. Antes de usar	30
3. Funcionamiento	30
4. Limpieza y mantenimiento	32
5. Consejos	33
6. Especificaciones técnicas	33
7. Reciclaje de electrodomésticos	33
8. Garantía y SAT	34

INDEX

1. Parts and components	35
2. Before use	35
3. Operation	35
4. Cleaning and maintenance	37
5. Tips	38
6. Technical specifications	38
7. Disposal of old electrical appliances	38
8. Technical support and warranty	39

ЗМІСТ

1. Компоненти пристрою	40
2. Перед першим використанням	40
3. Експлуатація пристрою	40
4. Очищення та обслуговування пристрою	42
5. Поради по експлуатації	43
6. Усунення несправностей	43
7. Технічні характеристики	44
8. Утилізація старих електроприладів	44
9. Сервіс і гарантія	44

СОДЕРЖАНИЕ

1. Компоненты устройства	47
2. Перед первым использованием	50
3. Эксплуатация устройства	50
4. Чистка и обслуживание устройства	52
5. Советы по эксплуатации	53
6. Устранение неисправностей	53
7. Технические характеристики	54
8. Утилизация старых электроприборов	54
9. Сервисное обслуживание и гарантия	54

SAFETY INSTRUCTIONS

Read these instructions thoroughly before using the appliance. Keep this instruction manual for future reference or new users. All safety instructions should be closely followed when using the appliance. Do not use the appliance for other than intended use.

The temperature of accessible surfaces may be high while in use and could cause burns. Do not touch hot surfaces while in use or immediately after.



Do not immerse the cord, plug, or any non-removable part of the appliance in water or any other liquid, nor expose the electrical connections to water. Make sure your hands are dry before handling the plug or switching on the appliance.

Turn off and unplug the appliance from the mains supply when not in use and before cleaning it. Pull from the plug, not the cord, to disconnect it from the outlet.

Check the power cord regularly for visible damage. If the cord is damaged, it must be replaced by the official Technical Support Service of Cecotec in order to avoid any type of danger.

Do not use any accessory that has not been recommended by Cecotec, as they might cause injuries or damage.

Do not twist, bend, strain, or damage the power cord in any way. Protect it from sharp edges and heat sources. Do not let it touch hot surfaces. Do not let the cord hang over the edge of the working surface or countertop.

This product is designed only for household use. It is not suitable for commercial or industrial use. Do not use outdoors. Do not use outdoors, near a gas or electric hob, in heated ovens or near open flames.

Do not move the appliance when it is on or when it contains hot liquids.

Before connecting or disconnecting the cord from the power supply, make sure all the buttons and controllers are off.

Do not remove the appliance's bottom cover in order to avoid risk of fire or electric shock. Do not try to repair the device by yourself. Contact the official Technical Support Service of Cecotec for advice.

Use bottled water for best results. Do not use warm water or other liquids, these may cause product damage.

Do not open the filter basket or lift or remove the tank cover during operation to avoid risk of scalding.

The appliance is not intended to be used by children under the age of 8. It can be used by children over the age of 8, as long as they are given continuous supervision.

This appliance can be used by children aged 8 and above, and persons with reduced physical, sensory or mental capabilities or lack of experience and knowledge, as long as they have been given supervision or instruction concerning the use of the appliance in a safe way and understand the hazards involved. Supervise children, they shall not play with the appliance. Close supervision is necessary when the appliance is being used by or near children.

Note: A short power-supply cord is provided to reduce the risks of becoming entangled in or tripping over a longer cord. Extension cords are available and may be used if care is exercised in their use.

Glass jar's safety instructions

The glass jar is designed to be used only with this product. Do not use it in any other drip-type coffee maker or in a microwave oven.

Do not stir inside the jar with a spoon or other utensils.

Do not use a cracked glass jar or a jar having a loose or weakened handle. If the glass is cracked, do not drink from it.

Never use ice cubes inside the jar or place it inside the refrigerator

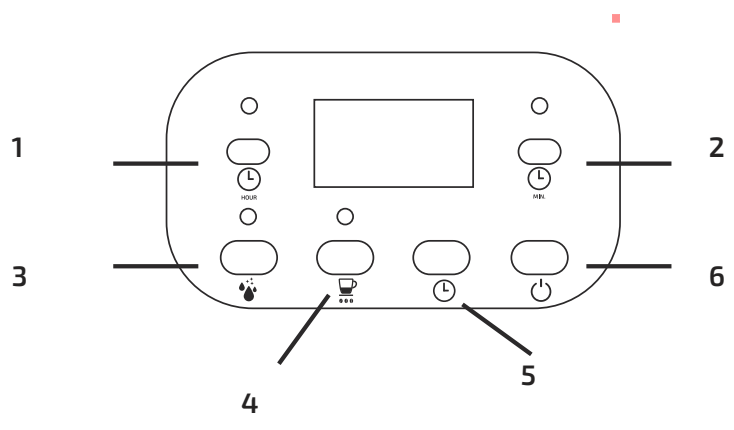
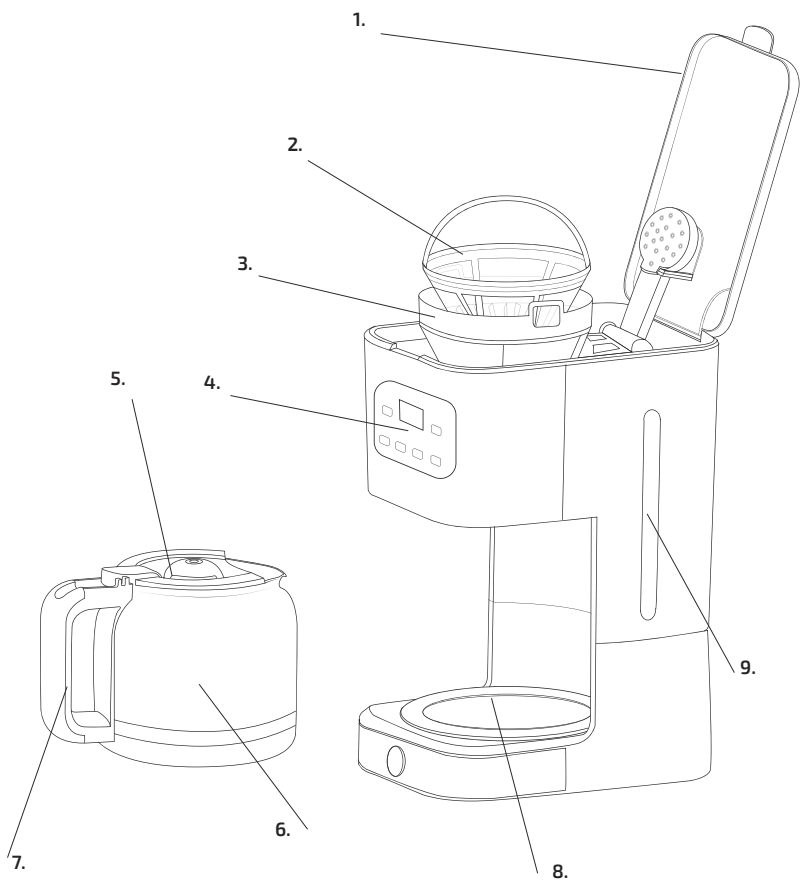
Never drink directly from the jar.

Do not tilt or overturn the jar to avoid liquids from flowing out.

When carrying the jar, always use the handle.

Do not leave the glass jar empty on the warming plate to avoid it from cracking.

WARNING: This product has undergone a quality control previous to its commercialisation with the aim of ensuring its correct operating. After the quality control testing, the appliance is cleaned thoroughly, therefore, although it is unlikely to occur, there could be rests of water or coffee drops inside it.



1. PARTS AND COMPONENTS

Fig. 1

1. Top cover
2. Filter
3. Funnel
4. Control panel
5. Jar lid
6. Jar
7. Jar handle
8. Heating plate
9. Water level indicator

Fig. 2

Control panel

1. Hours setting
2. Minutes setting
3. Descaling
4. STRONG function
5. Daily scheduling
6. ON/OFF

2. BEFORE USE

Take the product out of the box and remove all packaging materials.

Make sure all parts and components are included and in good conditions. If any visible signs of damage are observed, contact the Technical Support Service immediately.

Place the appliance on a flat, stable surface.

Make sure the device is turned off and plug it to a power supply.

Run 2 brewing cycles (see "Operation" section) without coffee or filters to clean the whole device before using it for the first time.

3. OPERATION

Fill the jar with fresh water (preferably bottled or filtered water). Open the top cover and pour the water into the water tank. The number of cups is shown by the water level indicator. Do not exceed the maximum fill level.

Note: It is not suggested to prepare less than 4 cups.

ENGLISH

Place the jar with the lid closed in the coffee maker making sure it is fully seated in the coffee maker to activate the Pause & Serve mechanism.

Warning: Make sure the jar is properly fitted in the device and that the lid is on to avoid hot water or coffee from overflowing.

With the top lid completely open, insert the filter into the funnel folding the seamed edges to ensure it is properly attached to the basket.

Add coffee using a measuring spoon.

Note: The suggested quantity to brew a rich, full-bodied flavor coffee is one level scoop for each cup or 10 level scoops per full pot of coffee. Test with the amount of coffee used in order to adjust the quantity to your taste.

Close the lid and make sure it is securely closed.

With the lid firmly closed and the jar securely in place, press the On button. The red colour LED light will light up and flash, indicating the brewing cycle has started.

Warning: Do not open the lid during the brewing cycle; even if no water is draining from the funnel. Extremely hot water/coffee can spill out from the device and cause injury. If water/coffee is not draining from the funnel, immediately unplug the unit and wait 10 minutes before opening and checking the filter.

When the brewing process ends and the water level indicator shows it is empty, there will still be hot liquid in the filter basket. Wait a few minutes for the rest of the liquid to drip through into the jar.

After coffee grounds have cooled down, open the lid and carefully remove the filter by holding the device's handle and lifting it straight up from the funnel compartment. Throw away the used coffee filter and grounds.

Note: Always switch the coffee maker off when the jar is empty or no more coffee has to be warmed up. The coffee maker will automatically shut off after 40 minutes.

If two or more jars of coffee are to be made it is recommended to allow the coffee machine to cool down for 10 minutes between each brewed pot. The filter should also be rinsed out after each brew cycle.

Coffee brewing

Making coffee automatically (Normal)

Press the On/Off button. The coffee maker will brew coffee immediately. The red LED light will flash indicating the machine is brewing coffee. When the red LED light turns to steady, it means the cup-warming function is activated. The coffee maker will automatically shut off after 40 minutes.

Note: Press the On/off button again to stop making coffee.

Automatic coffee scheduling

Press the HOUR and then the MIN buttons to set the current time.

Press and hold the buttons to scroll through the numbers quickly. When the number displayed approaches the desired setting, press the button to advance one digit at a time.

To set the desired auto-brew start time, first press the PROG button.

Set the time you want coffee to begin brewing by using the HOUR and MIN buttons following the same steps as the before point.

Once it has been set, the green light will flash and the LCD display will show "AUTO".

The coffee maker will automatically begin brewing at the pre-set time. When the brew cycle begins, the red light will flash to indicate the coffee maker is operating.

Press the PRO button for 3 second to cancel the auto-brew preset mode.

STRONG function

This function is designed to brew strong and more intense coffee.

Press the STRONG button for the machine to automatically operate under this function.

From the "Normal" function, press this button to switch the machine to Strong function. The brewing process will take longer.

Pause & serve (AUTOMATIC FUNCTION)

This function allows you to interrupt the brewing cycle and pour a cup of coffee before the entire jar is finished brewing. When the jar is removed, the appliance will automatically stop dripping coffee.

Warning: The maximum time the jar can be removed is 30 seconds. Do not exceed this time. When the jar is placed again, make sure it is firmly against the back of the coffee maker.

4. CLEANING AND MAINTENANCE

Always unplug the coffee maker and allow it to cool down before cleaning.

Wash the jar and its lid together with the funnel in hot soapy water. These pieces can also be washed on the top rack of the dishwasher.

Never use harsh or abrasive cleaners on any part of your coffee maker. To clean, simply wipe off with a soft, damp cloth. For hard to remove stains, use a plastic mesh pad or cloth damped in vinegar.

Warning: Never immerse the warming plate or main housing in water or any other liquid. Do not try to clean the inside part of water tank with a cloth. This will leave a residue of lint and may clog your coffee maker. Just rinse with cold water periodically.

Descaling cycle

Calc build-up frequently occurs in drip coffee makers. This build-up is normal and is caused by minerals commonly found in drinking water. Periodically, your coffee maker will need cleaning to remove scale or mineral deposits that may form. You will know when your unit will need descaling when you notice an obvious slowdown in brewing time. It is recommended to descale the unit with a solution of white vinegar and cold water. A solution of two tablespoons of white vinegar to one jar of cold bottled water works best. Pour this solution into the water

ENGLISH

tank, and follow your normal operating instructions, without a filter in the filter holder. Press the DESCAL button. When the brew cycle is finished, empty the jar and rinse with water. Refill the water tank with cold water only and repeat the brew cycle with water only, twice more. This will rinse out any remaining vinegar solution. It is recommended to carry out this cycle 4 times a year approx.

Note: The coffee maker will light up the green indicator after 60 uses as a reminder that the machine has to be cleaned. Press the DESCAL button during standby mode to clean it. The light will only turn off when the coffee maker is clean.

5. TIPS

Keep the coffee maker always clean. In order to obtain high-quality coffee with good flavour, the coffee maker must be clean.

Recommendation: It is recommended to use bottled water when using the appliance.

Store ground coffee in a cool, dry place. After opening a package of ground coffee, reseal it tightly and store it in a refrigerator to maintain its freshness.

For a full-bodied flavour coffee, by whole coffee beans and grind them just before use.

Do not reuse ground coffee.

Do not reheat coffee. Coffee reaches its best fragrance and flavour just after being freshly brewed.

Some coffee oil or fat could build up due to ground coffee extraction. This could happen frequently when using strongly roasted coffee.

6. TECHNICAL SPECIFICATIONS

Model: Coffee 66 Smart

Product reference: 01555

950 W, 220-240 V~, 50/60 Hz

Made in China | Designed in Spain

7. DISPOSAL OF OLD ELECTRICAL APPLIANCES



The European directive 2012/19/EU on Waste Electrical and Electronic Equipment (WEEE), specifies that old household electrical appliances must not be disposed of with the normal unsorted municipal waste. Old appliances must be collected separately, in order to optimize the recovery and recycling of the materials they contain, and reduce the impact on human health and the environment.

The crossed out "wheeled bin" symbol on the product reminds you of your obligation to dispose of the appliance correctly.

Consumers must contact their local authorities or retailer for information concerning the correct disposal of old appliances and/or their batteries.

8. TECHNICAL SUPPORT AND WARRANTY

This product is under warranty for 2 years from the date of purchase, as long as the proof of purchase is submitted, the product is in perfect physical condition, and it has been given proper use, as explained in this instruction manual.

The warranty will not cover the following situations:

The product has been used for purposes other than those intended for it, misused, beaten, exposed to moisture, immersed in liquid or corrosive substances, as well as any other fault attributable to the customer.

The product has been disassembled, modified, or repaired by persons, not authorised by the official Technical Support Service of Cecotec.

Faults deriving from the normal wear and tear of its parts, due to use.

The warranty service covers every manufacturing defects of your appliance for 2 years, based on current legislation, except consumable parts. In the event of misuse, the warranty will not apply.

If at any moment you detect any problem with your product or have any doubt, do not hesitate to contact Cecotec Technical Support Service at +34 963 210 728.

www.cecotec.es

Grupo Cecotec Innovaciones S.L.
C/ de la Pinadeta s/n, 46930
Quart de Poblet, Valencia (Spain)
YV02200225