

# Cumbia

CAPRICCIOSA WHITE

CAPRICCIOSA BLACK



Instruction manual

cecotec

## INDEX

1. Safety instructions
2. Parts and components
3. Before use
4. Operation
5. Cleaning and maintenance
6. Troubleshooting
7. Technical specifications
8. Disposal of old electrical appliances
9. Technical support service and warranty

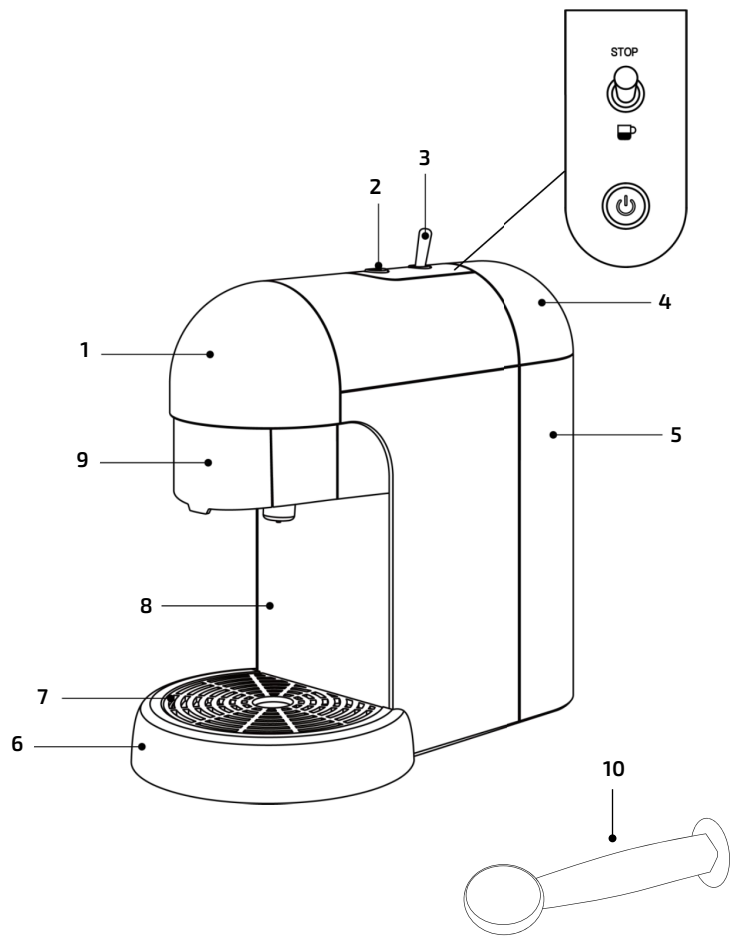


Fig./Img./Abb./Afb./ Rys./Obr. 1

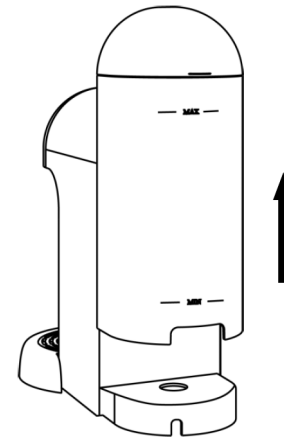


Fig./Img./Abb./Afb./ Rys./Obr. 2

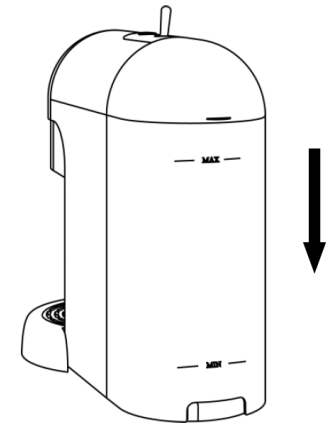


Fig./Img./Abb./Afb./ Rys./Obr. 3

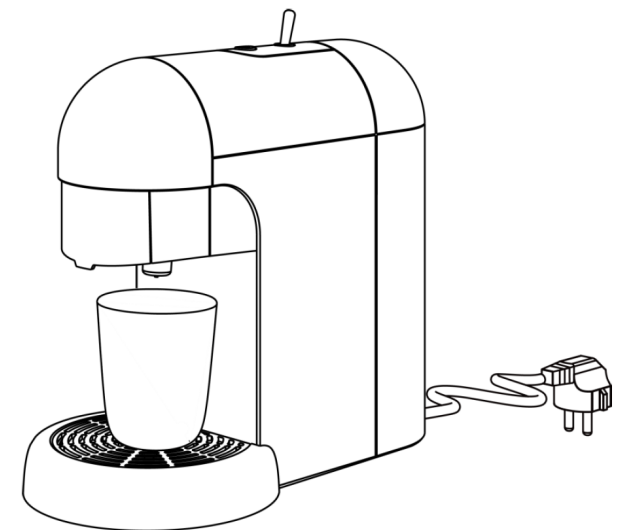


Fig./Img./Abb./Afb./ Rys./Obr. 4

## 1. SAFETY INSTRUCTIONS

Read these instructions thoroughly before using the appliance. Keep this instruction manual for future reference or new users.

All safety instructions should be closely followed when using the appliance.

Make sure that the mains voltage matches the voltage stated on the rating label of the appliance and that the outlet is grounded.

Place the appliance on a dry, stable, flat, heat-resistant surface. This appliance is intended for domestic use only. It is not suitable for commercial or industrial use.

Do not immerse the cord, plug, or any non-removable part of the appliance in water or any other liquid, nor expose the electrical connections to water. Make sure your hands are dry before handling the plug or switching on the appliance.

Do not use the appliance if its cord, plug, or housing is damaged, nor after it malfunctions or has been dropped or damaged in any way.

Make sure the device is turned off before plugging it into the power supply.

Do not remove the filter holder during operation.

Do not cover the appliance while in use or place heavy objects on it.

Do not operate the device in rooms where the temperature is 0 °C or lower.

Do not use the appliance under the following circumstances:

On or near a gas or electric hob, in heated ovens, or near open flames.

On soft surfaces (such as carpets) or where it may tip over during use.

Outdoors or in areas with high humidity levels.

Do not use any accessory that has not been provided or recommended by Cecotec, as they might cause injuries or damage.

The temperature of accessible surfaces may be high while in use and could cause burns. Do not touch hot surfaces while in use or immediately after. Use handles or knobs.

Do not operate the device without water.

Do not move or turn off the device while operating.

Do not let the power cord hang over the edge of table or countertop, or touch hot surfaces.

Cleaning and maintenance tasks must not be carried out by children.

The appliance is not intended to be used by children under the age of 8. It can be used by children over the age of 8, as long as they are given continuous supervision.

This appliance is not intended to be used by persons with reduced physical, sensory, or mental capabilities, or lack of experience or knowledge, unless they have been given supervision or instruction concerning the use of the appliance in a safe way by a person responsible for their safety, and understand the hazards involved.

Supervise young children to make sure that they do not play with the appliance. Close supervision is necessary when the appliance is being used by or near children.

Warning: This product has undergone a quality control previous to its commercialization with the aim of ensuring its correct operating. After the quality control testing, the appliance is cleaned thoroughly, therefore, there could be rests of water drops or coffee in its inner parts.

## 2. PARTS AND COMPONENTS

Fig. 1

1. Main body
2. Power button
3. Coffee brewing switch
4. Water tank cover
5. Water tank
6. Drip tray
7. Drip tray cover
8. Base
9. Filter holder
10. Measuring spoon with tamper

## 3. BEFORE USE

Note: The first time the machine is used there might be some smell caused by the insulating materials and the heating elements. This disappears after a few minutes.

Take the product out of the box and remove all packaging material, stickers or labels. Make sure all the components are included, and if not, contact immediately the official Technical Support Service of Cecotec.

Using the device for the first time, or after a long period of time Remove the water tank from the machine, wash it well with cold water (maximum 600 ml) and put it back in the machine making sure it is fitted in properly. Make sure the filter holder is closed, and then place a cup on the drip tray. Press the power button, and wait until the light indicator remains steady. Take the coffee brewing switch to the coffee position and brew water until the coffee machine is clean. Once it is sufficiently clean, take the switch back to the original position to stop brewing water.

## 4. OPERATION

Fig. 2

Place the machine on a flat and stable surface. Take out the water tank and fill it up to 600 ml max.

Fig. 3

Place the water tank back in its position.

Fig. 4

Place a cup on the drip tray, take out the power cord and plug it into a power supply.

Fig. 5

Remove the filter holder and fill it with ground coffee or introduce the single-dose ESE pod. Note: Make sure the ground coffee is properly pressed in order to obtain the best results. Press the power button, the light indicator will blink as the machine preheats. Once the light indicator remains steady green, take the coffee brewing switch to the coffee position to brew coffee. Take the coffee brewing switch to the stop position in order to interrupt the brewing process.

Fig. 6

Take out the filter holder and empty it.

Fig. 7

After brewing, clean the filter holder and drip tray under running water. Unplug the device from the power supply and place it in a dry environment.

Note: The coffee machine will automatically enter standby mode after 9 minutes of inactivity.

## 5. CLEANING AND MAINTENANCE

Disconnect the device from the power supply and allow it to cool down completely before cleaning. Do not use abrasive cleaners or scouring pads as they could cause damage to the product's surface. Use a soft, dampened cloth to clean the outer part of the device. Do not immerse the main body in water or other liquids. Wash the water tank, drip tray and cup holder tray regularly. Clean all parts with water and dry thoroughly before storing it or using the device again.

### Descaling

It is advisable to descale the appliance every 6 months or so, depending on the frequency of use and the mineral content of your water. Descale using commercial descaling agents recommended for coffee makers, or use water and vinegar as follows: Fill the water tank with straight vinegar (5 % solution). Operate the appliance as if making coffee until the tank is empty. After that, rinse the water tank and let another 2 tanks of fresh water flow through the brew

head until there is no more smell of vinegar.

Note: This operation may be dangerous if other substances are used instead of vinegar or approved descaling materials recommended for household coffee makers.

## 6. TROUBLESHOOTING

### Problems

1. The device does not start up.
2. Coffee is cold.
3. Coffee is not being dispensed or it is being done too slowly.

### Possible causes

1. The device is not properly plugged into the power socket.
2. The machine has brewed coffee before preheating.
3. There is not enough water in the tank.

### Solutions

1. Make sure the cord is properly plugged in.
2. Wait until the light indicator turn steady on indicating the device is preheated before brewing coffee.
3. Make sure you have introduced the correct amount of water in the tank and, if necessary, add cold natural water.

## 7. TECHNICAL SPECIFICATIONS

### Model:

01595 Cumbia Capricciosa White

01596 Cumbia Capricciosa Black

1100 W, 220-240 V~, 50/60 Hz

Made in China | Designed in Spain

## 8. DISPOSAL OF OLD ELECTRICAL APPLIANCES



The European directive 2012/19/EU on Waste Electrical and Electronic Equipment (WEEE), specifies that old household electrical appliances must not be disposed of with the normal unsorted municipal waste. Old appliances must be collected separately, in order to optimize the recovery and recycling

of the materials they contain and reduce the impact on human health and the environment. The crossed out "wheeled bin" symbol on the product reminds you of your obligation to dispose of the appliance correctly. If the product has a built-in battery or uses batteries, they should be removed from the appliance and disposed of appropriately.

Consumers must contact their local authorities or retailer for information concerning the correct disposal of old appliances and/or their batteries.

## 9. TECHNICAL SUPPORT SERVICE AND WARRANTY

This product is under warranty for 2 years from the date of purchase, as long as the proof of purchase is submitted, the product is in perfect physical condition, and it has been given proper use, as explained in this instruction manual.

The warranty will not cover the following situations:

- The product has been used for purposes other than those intended for it, misused, beaten, exposed to moisture, immersed in liquid or corrosive substances, as well as any other fault attributable to the customer.
- The product has been disassembled, modified, or repaired by persons, not authorised by the official Technical Support Service of Cecotec.
- Faults deriving from the normal wear and tear of its parts, due to use.

The warranty service covers every manufacturing defects of your appliance for 2 years, based on current legislation, except consumable parts. In the event of misuse, the warranty will not apply.

If at any moment you detect any problem with your product or have any doubt, do not hesitate to contact Cecotec Technical Support Service at +34 963 210 728.

[www.cecotec.es](http://www.cecotec.es)

Grupo Cecotec Innovaciones S.L.  
C/ de la Pinadeta s/n, 46930  
Quart de Poblet, Valencia (Spain)  
YV01191224