

cecotec

POWER BLACK TITANIUM 2000 PRO

Batidora de vaso/ Jug blender



Manual de instrucciones
Instruction manual
Manuel d'instructions
Bedienungsanleitung
Manuale di istruzioni
Manual de instruções
Handleiding
Instrukcja obsługi
Návod k použití

INDEX

1. Parts and components	30
2. Before use	30
3. Operation	30
4. Cleaning and maintenance	31
5. Technical specifications	32
6. Disposal of old electrical appliances	32
7. Technical support and warranty	32

SAFETY INSTRUCTIONS

Read these instructions thoroughly before using the appliance. Keep this instruction manual for future reference or new users.

- Make sure that the mains voltage matches the voltage stated on the rating label of the appliance and that the wall outlet is grounded.
- This product is designed only for household use. Do not operate outdoors.
- Check the power cord regularly for visible damage. If the cord is damaged, it must be replaced by the official Technical Support Service of Cecotec in order to avoid any type of danger.
- The blades inside the product are very sharp, handle them carefully to avoid any possible cut. Take extreme precaution during cleaning, maintenance or while emptying the jug.
- Do not pour hot liquids inside the product while it is operating as it could be ejected out causing burns.
- Never leave the appliance unattended while in use.

- Always turn off and disconnect the appliance from the power supply before assembling, disassembling, cleaning it or if it is not going to be used for a long period of time. Pull from the plug, not the cord, to disconnect it from the outlet.
- Do not immerse the cord, plug, or any non-removable part of the appliance in water or any other liquid, nor expose the electrical connections to water. Make sure your hands are dry before handling the plug or switching on the appliance.
- Do not touch the product's surface that could reach high temperatures. Use the handle provided.
- Do not use accessories not provided or suggested by Cecotec, as these could cause damage to the product or result in risk.
- Do not twist, bend, strain, or damage the power cord in any way. Protect it from sharp edges and heat sources. Do not let it touch hot surfaces. Do not let the cord hang over the edge of the working surface or countertop.
- Do not use near a gas or electric hob, in heated ovens or near open flames.
- Extreme caution must be taken when moving appliances containing hot liquids or foodstuffs.
- Always turn the appliance off and disconnect it from the power supply before changing accessories or approaching moving elements.
- Do not introduce any utensil inside the product during operation in order to reduce risk of injuries to persons or damage to the product. A scraper may be used while the product is paused.
- Make sure to keep the measuring lid in its position when blending hot liquids or ingredients.
- Do not use the product if its blade is curved or damaged.
- Do not operate the appliance empty.
- Make sure the accessory that is going to be used is properly

- assembled before operating the device.
- Do not overfill the jar.
 - Always operate the product with the cover in place.
 - The appliance is not intended to be used by children under the age of 8.
 - This appliance can be used by children aged 8 and above, and persons with reduced physical, sensory or mental capabilities or lack of experience and knowledge, as long as they have been given supervision or instruction concerning the use of the appliance in a safe way and understand the hazards involved.
 - Note: This product has undergone a quality control previous to its commercialisation with the aim of ensuring its correct operating. After the quality control testing, the appliance is cleaned thoroughly, therefore, although it is unlikely to occur, there could be rests of water drops in its inner parts.

INSTRUCTIONS DE SÉCURITÉ

Veillez lire les instructions suivantes avec attention avant d'utiliser l'appareil. Gardez bien ce manuel pour de futures références ou pour tout nouvel utilisateur.

- Assurez-vous que le voltage du réseau coïncide avec le voltage spécifié sur l'étiquette de classification de l'appareil et que la prise possède une connexion à terre.
- Cet appareil a été conçu pour un usage exclusivement domestique. Ne l'utilisez pas en extérieur.
- Inspectez le câble d'alimentation régulièrement pour rechercher des dommages visibles. S'il présente des dommages, il doit être réparé par le Service Après-Vente

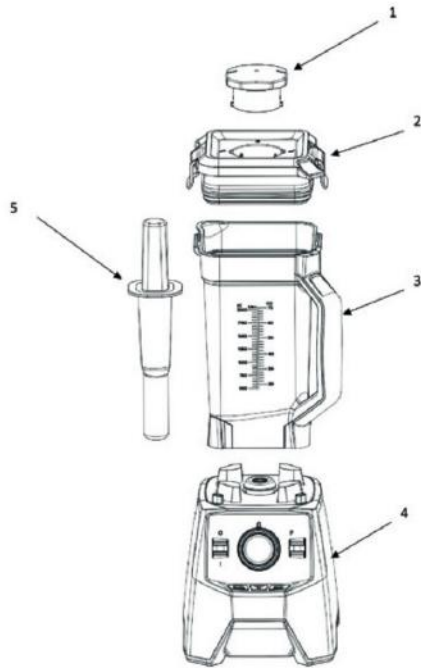


Fig./Img./Abb./Rys./Obr. 1

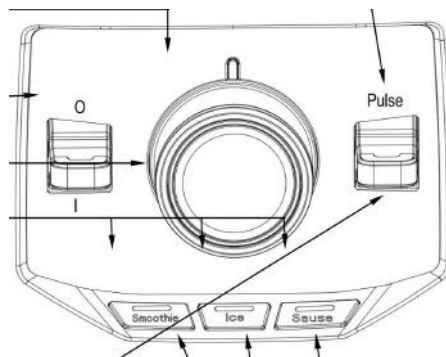


Fig./Img./Abb./Rys./Obr. 2

1. PARTS AND COMPONENTS

Fig. 1.

1. Measuring cup
2. Lid
3. Jar
4. Main body
5. Tamper

Fig. 2.

1. Speed selector
2. Power switch
3. LED light
4. Program button
5. Turbo function push button

2. BEFORE USE

- Take the product out of the box and remove all packaging materials.
- Make sure all parts and accessories are included, and check that they do not show any signs of damage.
- If there area any, contact the official Technical Support Service of Cecotec.
- Place the appliance on a flat, stable and dry surface.

3. OPERATION

Warning

- The maximum capacity allowed by the product is 2 L, do not exceed this quantity.
- Do not operate the product empty. It is suggested to fill with 2 parts of fruit per 3 of water. The maximum non-stop operating time is 2 minutes. Do not exceed this time of operation.
- For safety reasons, this appliance will only work when the lid is in its place.

Power selector

- Make sure the power switch is in the off "0" position and that the speed function is set to 0.
- Plug in the power cord and switch the power switch into the "1" position to turn the device on.

- The appliance will not switch on if the speed function is not set to 0. If the appliance does not turn on, switch the speed to 0 and then back to the desired speed of operation. This is a safety feature designed to prevent the product from accidentally starting.
- Once the speed of operation has been selected, the product will begin to function at the selected speed.

MIN = Minimum speed

MAX = Maximum speed

Select the program you wish to use and choose the speed by turning the speed regulating knob.

Program selector

There are three different automatic programs for this device.

- "Smoothie" = Program to prepare fruit smoothies.
- "Ice" = Program for crushing ice.
- "Sauce" = Program to prepare sauces and purées.
- When choosing one of these 3 programs, the appliance will function in the chosen program. When the same program button is pressed again, the appliance will turn to standby mode. When a different program is selected, the appliance will change directly to the program selected.
- When the product is working in any of these 3 modes, the speed selection function and the Turbo function switch will not operate.

Turbo function push button

Hold down the Turbo function (P) switch to activate the function. With this function, the product will work at its maximum speed.

4. CLEANING AND MAINTENANCE

Cleaning

- Always turn the power knob to the "0" position, turn the switch off and unplug the appliance after each use and before cleaning.
- Use water to clean the jug. Do not use chemical or harsh abrasive cleaning agents.
- Use a dry, soft cloth to clean the motor base. Do not clean this part with a wet cloth.

Maintenance

If the product does not operate normally, produces uncommon noises or shakes more than it normally does, stop using the product and contact the Technical Support Service of Cecotec for reparation. Do not carry out maintenance tasks yourself.

Storage

- After cleaning the device, make sure it is thoroughly dried before storing it.
- After using the product, store it in a dry, safe place. Avoid direct exposure to sun light.
- Make sure it is stored in a place out of the reach of children.

5. TECHNICAL SPECIFICATIONS

Model: Power Black Titanium 2000 Pro

Product reference: 04118

2000 W, 220-240 V~, 50/60 Hz

Made in China | Designed in Spain

6. DISPOSAL OF OLD ELECTRICAL APPLIANCES



The European directive 2012/19/EU on Waste Electrical and Electronic Equipment (WEEE), specifies that old household electrical appliances must not be disposed of with the normal unsorted municipal waste. Old appliances must be collected separately, in order to optimise the recovery and recycling of the materials they contain and reduce the impact on human health and the environment.

The crossed out "wheeled bin" symbol on the product reminds you of your obligation to dispose of the appliance correctly.

Consumers must contact their local authorities or retailer for information concerning the correct disposal of old appliances and/or their batteries.

7. TECHNICAL SUPPORT AND WARRANTY

This product is under warranty for 2 years from the date of purchase, as long as the proof of purchase is submitted, the product is in perfect physical condition, and it has been given proper use, as explained in this instruction manual.

The warranty will not cover the following situations:

- The product has been used for purposes other than those intended for it, misused, beaten,

exposed to moisture, immersed in liquid or corrosive substances, as well as any other fault attributable to the customer.

- The product has been disassembled, modified, or repaired by persons, not authorised by the official Technical Support Service of Cecotec.
- Faults deriving from the normal wear and tear of its parts, due to use.

The warranty service covers every manufacturing defects of your appliance for 2 years, based on current legislation, except consumable parts. In the event of misuse, the warranty will not apply.

If at any moment you detect any problem with your product or have any doubt, do not hesitate to contact Cecotec Technical Support Service at +34 963 210 728.

www.cecotec.es

Cecotec Innovaciones S. L.
C/de la Pinadeta s/n, 46930
Quart de Poblet, Valencia, Spain

EA02Z10503