

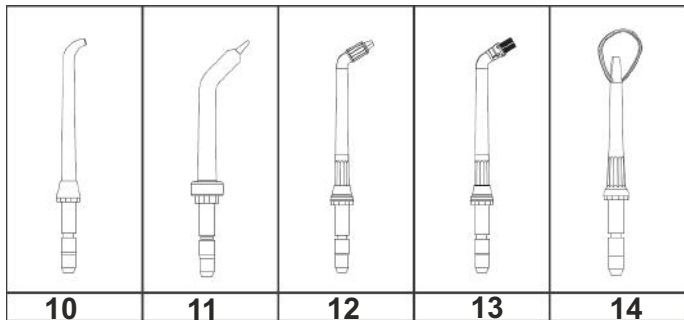
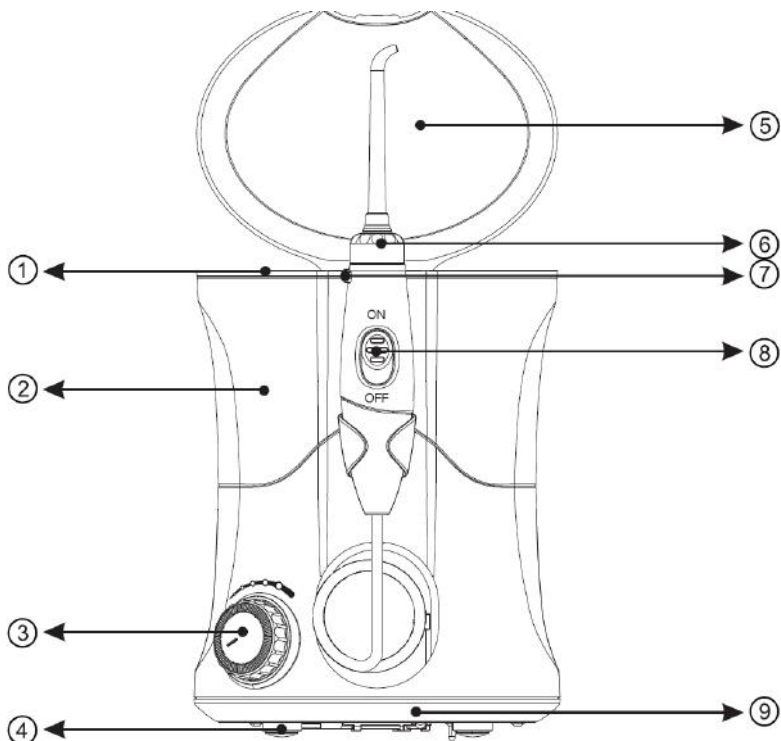
Camry

Premium



CR 2172

- (GB) user manual - 4
- (DE) bedienungsanweisung - 9
- (FR) mode d'emploi - 15
- (ES) manual de uso - 21
- (PT) manual de serviço - 26
- (LT) naudojimo instrukcija - 31
- (LV) lietošanas instrukcija - 36
- (EST) kasutusjuhend - 41
- (HU) felhasználói kézikönyv - 56
- (BS) upute za rad - 51
- (RO) Instrucțiunea de deservire - 46
- (CZ) návod k obsluze - 72
- (RU) инструкция обслуживания - 82
- (GR) οδηγίες χρήσεως - 66
- (MK) упатство за корисникот - 61
- (NL) handleiding - 88
- (SL) navodila za uporabo - 128
- (FI) manuaal ng pagtuturo - 103
- (PL) instrukcja obsługi - 134
- (IT) istruzioni operative - 98
- (HR) upute za uporabu - 77
- (SV) instruktionsbok - 113
- (DK) brugsanvisning - 93
- (UA) інструкція з експлуатації - 108
- (SR) Корисничко упутство - 118
- (SK) Používateľská príručka - 123



SAFETY CONDITIONS IMPORTANT INSTRUCTIONS ON SAFETY OF
USE PLEASE READ CAREFULLY AND KEEP FOR FUTURE
REFERENCE

SAFETY CONDITIONS IMPORTANT INSTRUCTIONS ON SAFETY OF
USE PLEASE

READ CAREFULLY AND KEEP FOR FUTURE REFERENCE

The warranty conditions are different, if the device is used for commercial purpose.

1. Before using the product please read carefully and always comply with the following

instructions. The manufacturer is not responsible for any damages due to any misuse.

2. The product is only to be used indoors. Do not use the product for any purpose that is not compatible with its application.

3. The applicable voltage is 220-240V, ~50Hz. For safety reasons it is not appropriate to connect multiple devices to one power outlet.

4. Please be cautious when using around children. Do not let the children to play with the product. Do not let children or people who do not know the device to use it without supervision.

5. **WARNING:** This device may be used by children over 8 years of age and persons with reduced physical, sensory or mental capabilities, or persons without experience or

knowledge of the device, only under the supervision of a person responsible for their safety, or if they were instructed on the safe use of the device and are aware of the

dangers associated with its operation. Children should not play with the device. Cleaning

and maintenance of the device should not be carried out by children, unless they are over

8 years of age and these activities are carried out under supervision.

6. After you are finished using the product always remember to gently remove the plug from the power outlet holding the outlet with your hand. Never pull the power cable!!!

7. Never put the power cable, the plug or the whole device into the water. Never expose the product to the atmospheric conditions such as direct sun light or rain, etc.. Never use the product in humid conditions.

8. Periodically check the power cable condition. If the power cable is damaged the product should be turned to a professional service location to be replaced in order to avoid hazardous situations.

9. Never use the product with a damaged power cable or if it was dropped or damaged in any other way or if it does not work properly. Do not try to repair the defected product yourself because it can lead to electric shock. Always turn the damaged device to a professional service location in order to repair it. All the repairs can be done only by authorized service professionals. The repair that was done incorrectly can cause hazardous situations for the user.

10. Never put the product on or close to the hot or warm surfaces or the kitchen appliances like the electric oven or gas burner.

11. Never use the product close to combustibles.

12. Do not let cord hang over edge of counter or touch hot surfaces.

13. Never leave the product connected to the power source without supervision. Even when use is interrupted for a short time, turn it off from the network, unplug the power.

14. In order to provide additional protection, it is recommended to install residue current

device (RCD) in the power circuit, with residual current rating not more than 30 mA.

Contact professional electrician in this matter

15. The appliance must be mounted in a way that it cannot fall into water or drop to the floor. The plug should always be accessible.

16. Periodically check the cord for damage. If cord is damaged, take the charging unit to an Service Centre.

17. A damaged or non-functioning unit should no longer be used.

18. Do not modify or repair the product. This may cause fire, electric shock or injury.

19. The toothbrush is not intended for use by children under age three. Children aged from 3 years and persons with reduced physical, sensory or mental capabilities or lack of experience and knowledge can use the toothbrush, if they have been given supervision or instruction concerning use of the appliance in a safe way and understand the hazards involved.

20. Cleaning and user maintenance shall not be performed by children.

21. The oral irrigator is not intended for use by children under age 8. Children aged from 8 years and persons with reduced physical, sensory or mental capabilities or lack of experience and knowledge can use the product, if they have been given supervision or instruction concerning use of the appliance in a safe way and understand the hazards involved.

22. Children shall not play with the appliance.

23. Oral irrigators shall be used only with liquids defined in the manufacturer's instructions.

24. Use this product only for its intended use as described in this manual. Do not use attachments or chargers which are not recommended by the manufacturer.

25. If the product is dropped, the brush head/irrigator jet should be replaced before the next use even if no damage is visible.

26. Replace brush head every 3 months or sooner if brush head becomes worn.

27. Small parts may present a choking hazard.

28. Do not place the appliance in water or liquid or store where it can fall or be pulled into a tub or sink.

29. Do not reach for it when fallen into water. Unplug immediately.

30. Do not open and disassemble device. For battery recycling please dispose whole device according to local environmental regulations.
31. Opening the device will destroy the appliance and invalidate the warranty.
32. When unplugging, always hold the power plug instead of the cord.
33. Do not touch the power plug with wet hands. This can cause an electric shock.
34. If you are undergoing treatment for any oral care condition, consult your dental professional prior to use.
35. This appliance is a personal care device and is not intended for use on multiple patients in a dental practice or institution.
36. Do not direct water under the tongue, into the ear, nose or other delicate areas. This product is capable of producing pressures that may cause serious damage in these areas.
37. Do not direct water into the nose or ear. The potentially deadly amoeba, *Naegleria fowleri*, may be present in some tap water or unchlorinated well water and may be fatal if directed into these areas.

Device description:

- | | | | | | |
|------------------------|-----------------------|---------------------|---------------------|-----------------------|---------------------|
| 1. Tip | 2. Reservoir | 3. On/Off | 4. Sucker | 5. Reservoir lid | 6. 360 rotating tip |
| 7. Tip Pop-Up knob | 8. Pause button | | | | |
| 9. Suction cups | 10. High-Pressure tip | 11. Periodontal Tip | 12. Orthodontic tip | 13. Dental Plaque tip | |
| 14. Tongue cleaner tip | | | | | |

Preparing the reservoir

Remove the lid (5) from the base and fill the reservoir with lukewarm water. Put the reservoir to the base and press down firmly then put back the lid.

Inserting and removing tips:

Insert the tip into the center of the knob at the top of the dental jet handle, the colored ring will pop up and make a click sound signaling the tip is correctly locked into place. To remove the tip from the handle, press the jet tip eject button (7) on the left side of the color ring and pull the tip from the handle.

Adjusting the pressure settings

Grab the pressure dial (3) gently and turn it clock wise. You should hear a click and the device should start up. Then turn it freely clockwise to increase and counter clockwise to decrease the pressure. The machine will stop automatically after 3 minutes if not used. If you need to use it again please turn it on and off again.

Using the oral irrigator:

Lean low over the sink and place the jet tip in your mouth. Aim the tip towards the your teeth. With your free hand turn the device on. Set the pressure at the desired setting. Direct the stream by turning the knob (6) to adjust the angle. Turn the pause button (8) into the ON position.

Recommended Technique

Direct the stream of water at a 90 degree angle to your gumline, slightly close lips to avoid splashing but allow the water to flow freely from the mouth into the sink. For best results start in the molar area (back teeth) working towards the front teeth. Glide the jet tip along the gumline pausing briefly between teeth. Continue the process until all areas around and between the teeth have been cleaned.

When finished

Turn off the unit and remove any liquids left in the reservoir. Unplug the unit.

Special tips instructions:

11. Periodontal tip: The tip delivered water or anti bacterial solution deep into periodontal pockets. To use the tip lean over low over your sink and place the soft tip against a tooth at a 45 degree angle and gently place the tip under the gumline. Turn the unit to the lowest pressure setting then clean gently following the gumline.

12. Orthodontic tip

The special tip is uniquely designed to simultaneously brush and rinse hard to reach places around braces and other dental work.

To use it lean low over the sink and use the brush bristles to clean around the dental work. Water will flow thru the brush and rinse away any debris that is removed.

14. Tongue cleaner

Lean over the sink, place the tongue cleaner on your tongue and start the unit using the lowest pressure setting and increase slowly as comfortable. Gently place the tongue cleaner in the center / midline of your tongue about half way back and with light pressure pull forward.

Cleaning

After using any special solution in the reservoir take a moment to rinse the unit.

Partially fill the reservoir with warm tap water, aim the jet tip into the sink and turn on letting the reservoir to empty. This will help keeping the tip from clogging and help your unit to last longer.


Clean the unit only with a soft non-abrasive cloth. Do not use any abrasive chemicals.

Technical data:

Power Source: 220-240V 50/60Hz

Power: 18W

Power Max: 30 W

 To protect your environment: please separate carton boxes and plastic bags and dispose them in corresponding waste bins. Used appliance should be delivered to the dedicated collecting points due to hazardous components, which may affect the environment. Do not dispose this appliance in the common waste bin.