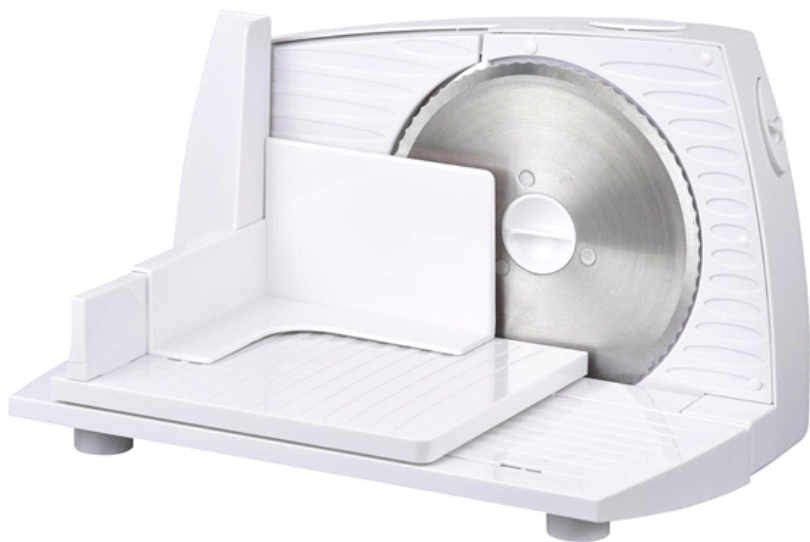


# ADLER

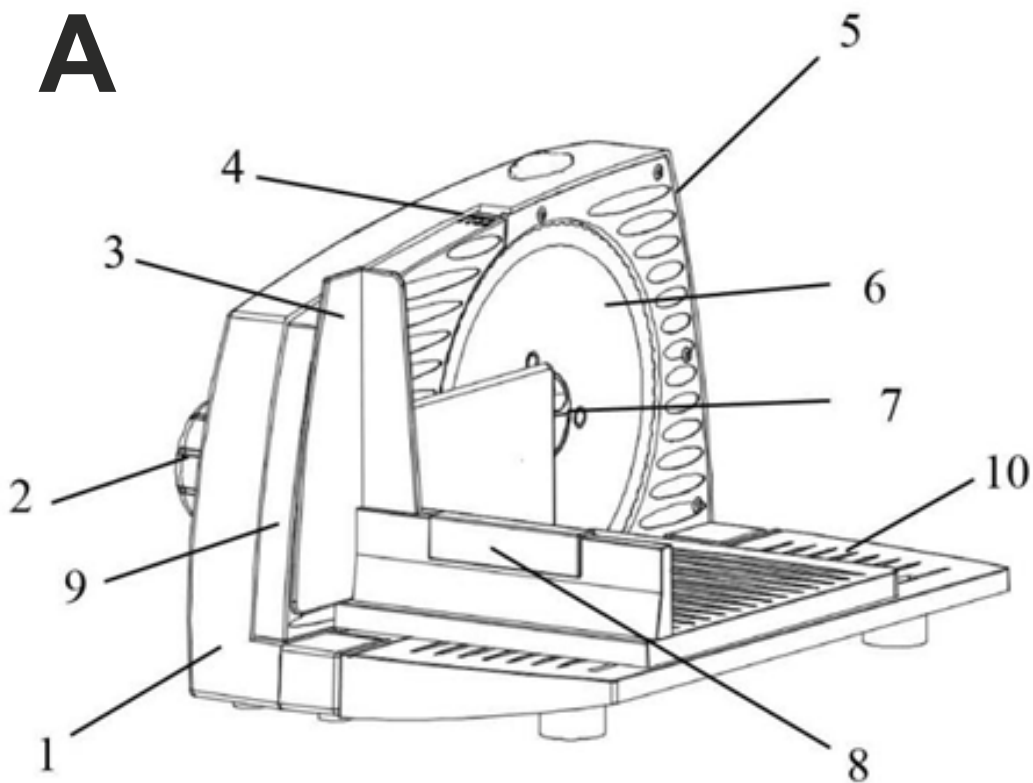
## EUROPE



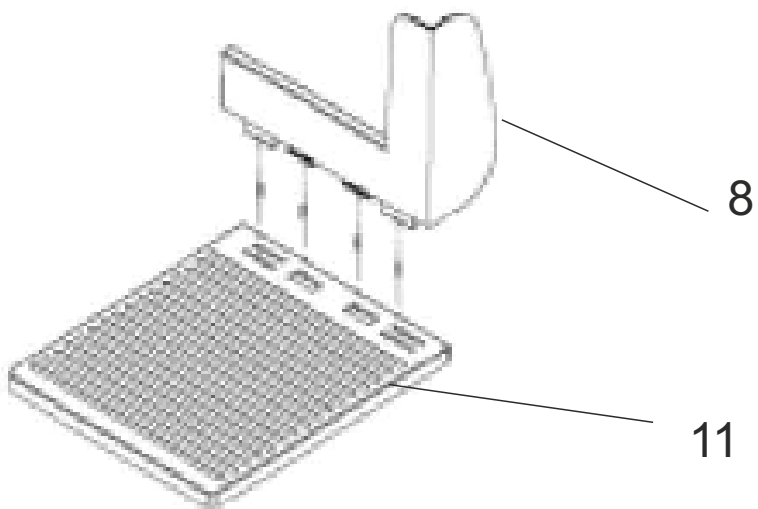
## AD 4703

(GB) user manual - 3	(DE) bedienungsanweisung - 5
(FR) mode d'emploi - 8	(ES) manual de uso - 10
(PT) manual de serviço - 12	(LT) naudojimo instrukcija - 14
(LV) lietošanas instrukcija - 16	(EST) kasutusjuhend - 18
(HU) felhasználói kézikönyv - 25	(BS) upute za rad - 23
(RO) Instrucțiunea de deservire - 21	(CZ) návod k obsluze - 34
(RU) инструкция обслуживания - 37	(GR) οδηγίες χρήσεως - 29
(MK) упатство за корисникот - 32	(NL) handleiding - 39
(SL) navodila za uporabo - 42	(FI) manwal ng pagtuturo - 27
(PL) instrukcja obsługi - 67	(IT) istruzioni operative - 51
(HR) upute za uporabu - 44	(SV) instruktionsbok - 46
(DK) brugsanvisning - 56	(UA) інструкція з експлуатації - 58
(SR) Корисничко упутство - 53	(SK) Používateľ'ská príručka - 48
(AR) دليل التعليمات - 60	(BG) Инструкция за употреба - 63

# A



# B



**SAFETY CONDITIONS. IMPORTANT SAFETY INSTRUCTIONS  
PLEASE READ CAREFULLY AND KEEP FOR FUTURE REFERENCE**

The warranty conditions differ if the device is used for commercial purposes.

1. Before using the device, read the operating manual and follow the instructions contained therein. The manufacturer is not liable for damages caused by the use of the device contrary to its intended use or improper operation.
2. The appliance is intended for domestic use only. Do not use for other purposes not in accordance with its intended purpose.
3. The device should only be connected to a 220-240V ~ 50 / 60Hz socket.
4. For additional protection, it is advisable to install a residual current device (RCD) in the electrical circuit with a rated residual current not exceeding 30 mA . A specialist electrician should be consulted in this regard.
- 5 . Be careful when using near children. Do not let children play with the product. Do not let children or people unfamiliar with the device use it unsupervised.
- 6 . **WARNING:** This appliance may be used by children over 8 years of age and persons with reduced physical, sensory or mental abilities or persons with no experience or knowledge of the appliance only under the supervision of a person responsible for their safety, or if they have been instructed in the safe use of the appliance and are aware of the risks associated with its operation. Children should not play with the device. Cleaning and user maintenance should not be performed by children, unless they are 8 years old and under supervision.
- 7 . Always gently pull the plug out of the socket after using the product, holding it with your hand. Never pull on the power cord !!!
- 8 . Never leave the product connected to a power source unattended. Even if use is interrupted for a short time, disconnect it from the mains . About D isconnect power before assembly, disassembly or cleaning.
- 9 . Do not immerse the cable, plug and the entire device in water or any other liquid. Do not expose the device to weather conditions (rain, sun, etc.) or use it in high humidity conditions (bathrooms, damp mobile homes).
- 10 . Periodically check the condition of the power cord. If the power cord is damaged, the product must be sent to an authorized service center for replacement to avoid any hazardous situations.
- 1 1 . Never use the product with a damaged power cord if it has been dropped or damaged in any way, or if it is not working properly. Do not try to repair a damaged product yourself as this may result in electric shock. Always take the damaged device to an authorized service center for repair. All repairs may only be performed by authorized service technicians. Repair performed incorrectly may result in dangerous situations for the user.
- 1 2 . Never place the product on or near hot or warm surfaces or kitchen appliances, such as an electric oven or gas burner.
- 1 3 . Never use the product near flammable materials.
- 1 4 . The power cord must not hang over the edge of the table or touch hot surfaces.

15. Do not submerge the motor part in water.
16. The slicer is not intended for use in catering establishments.
17. Never block the switch. There is a risk of personal injury or damage to the equipment.
18. The slicer should be used with a food cart (fig. 1, 6) and a pusher (fig. 1, 4), unless the size and shape of the cut product do not allow it.
18. Always disconnect the plug from the socket before cleaning the slicer .
19. Do not push small products with your hand. Only the pusher should be used to push the products (fig. 1, 4).
20. Before starting, check that the blade is properly installed.
21. Do not overload the machine with excessive amounts of cut product or excessive pushing.
22. When turning on the slicer, make sure that the left hand is correctly positioned on the body and the ON button is pressed in correctly.
22. Only use the slicer for cutting food.
23. Do not use the slicer for cutting: dry bread, frozen food, meat with bones, fruit with hard seeds or products wrapped in aluminum foil or plastic.
24. Clean the slicer after each use.
25. Do not remove the debris left on the blade while the machine is connected to an electrical outlet.
26. Keep the device and its cable out of the reach of children .

#### DESCRIPTION OF DEVICE (A,B) :

- |                             |                          |                        |                          |
|-----------------------------|--------------------------|------------------------|--------------------------|
| 1. Food Slicer              | 2. Blade Adjustment Dial | 3. Thumb Guard         | 4. Slice Thickness Gauge |
| 5. On/Off and Safety Button | 6. Blade                 | 7. Blade Lock          | 8. Food Pusher           |
| 9. Thickness Guide          | 10. Platform             | 11. Sliding Feed Table |                          |

#### USING YOUR PRODUCT:

1. Unplug appliance when not in use and before cleaning.
2. Clean all components of the appliance before the first use.
3. All loose components can be cleaned in soapy water.
4. Wipe the food slicer body (1) only with a slightly damp cloth. Please do not use any detergents or abrasives.
5. Assemble the thumb guard (8) and the sliding feed table(11) as shown on picture B.
6. Put the sliding feed table in a vertical position in order to mount it correctly on the platform (10) into the correct mounting holes.
7. Add the food pusher (8).
8. Before use, all parts must be put together tightly and securely.
9. Select the slicing thickness by adjusting the dial (2) left or right for the desired thickness.
10. To avoid food sticking to the appliance, you can moisten the blade (6) with a wet towel beforehand. This also allows you to slice more easily.
11. Connect the mains lead to a 220-240V, 50/60Hz safety power socket. The slicer is now ready for use.
12. Lay the food to be sliced between the blade (6) and the food pusher (8). Do not slice meat with bones, food with large seeds, rolled roast without removing the string, packaging (e.g. aluminium foil, film etc.), frozen food or any hard, inedible food parts.
13. Press the on/off button (5) and unlock the safety lock with your left hand. The blade will start rotating. NOTE: You need to continually push down the Safety Button to keep the Blade spinning.
14. Use your other hand to hold the Protective Guide (3) with your thumb protected behind thumb guard. Apply gentle pressure onto the Protective Guide (3) to keep the food pressed against the Face Plate. Then to cut the food slide the Food Tray back and forth steadily across the Blade Assembly. Push the sliding feed table with your right hand to bring the food to the blade.
15. Always use the food pusher (8) when slicing small parts.
16. In order to switch off the machine, remove your finger from the On/Off switch (5).
17. Always clean the appliance after each use.

#### CARE AND MAINTENANCE

1. Before cleaning, always unplug the appliance.
2. Wipe the inside and outside of the appliance with a paper towel or a soft cloth. It should not be washed in a dishwasher.

3. Do not clean the inside or outside with any abrasive scouring pad or steel wool as this will damage the finish.
4. Do not immerse in water or any other liquid.
5. The blade can be taken off by turning the blade-locking knob (7). Caution: the blade is very sharp. After having cleaned the blade, turn the knob anti-clockwise to lock the blade.
6. Dry all parts well before storage.

Technical Data:

Power: 150 W

Max Power: 400 W

Voltage: 220-240 V ~ 50/60Hz



To protect your environment: please separate carton boxes and plastic bags and dispose them in corresponding waste bins. Used appliance should be delivered to the dedicated collecting points due to hazardous components, which may affect the environment. Do not dispose this appliance in the common waste bin.