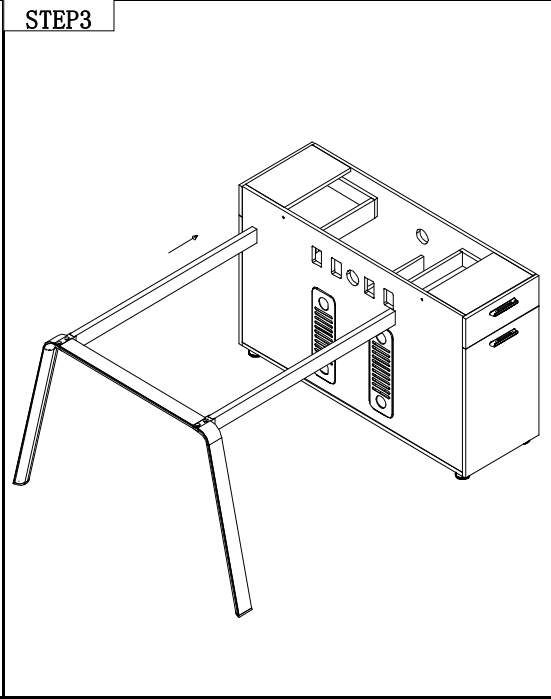
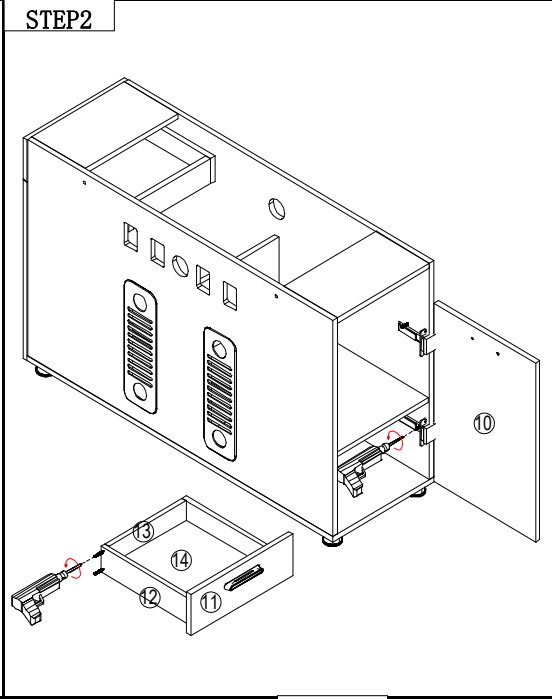
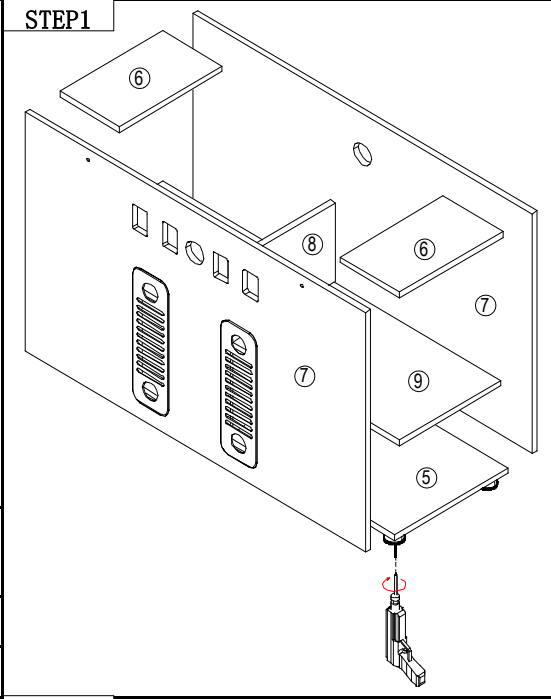


MODEL : FYM-08-2800  
 DIMENSION : 2800W×1200D×995mmH  
 DESCRIPTION : WORKSTATION

# ASSEMBLY INSTRUCTION



NUMBER		DIMENSION
①	Table top	1400 × 1200 × 25 =2PCS
②	Panel	1000 × 220 × 9 =2PCS
③	Support bar 1	940 × 60 × 25 =2PCS
④	Support bar 2	1024 × 60 × 25 =2PCS
⑤	Side cabinet:bottom board	1138 × 380 × 16 =2PCS
⑥	Top bar	344 × 200 × 16 =4PCS
⑦	Side board	1136 × 679 × 16 =4PCS
⑧	Middle back board	479 × 344 × 16 =2PCS
⑨	Movable shield	556 × 340 × 16 =4PCS
⑩	Door	378 × 559 × 16 =4PCS
⑪	Face of drawer	378 × 130 × 16 =4PCS
⑫	Side of drawer	350 × 65 × 16 =8PCS
⑬	Back of drawer	288 × 63 × 16 =4PCS
⑭	Bottom of drawer	298 × 344 × 3 =4PCS
⑮		
⑯		

