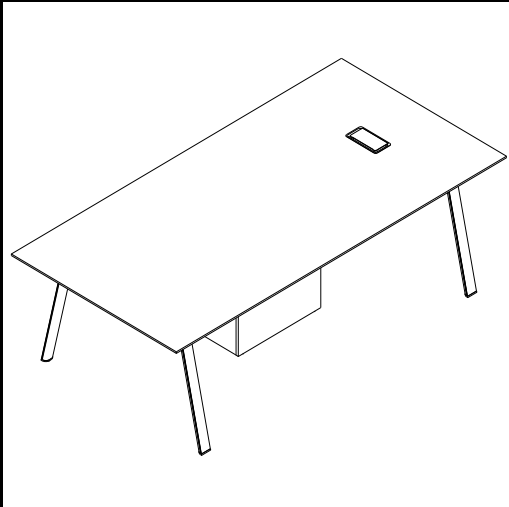
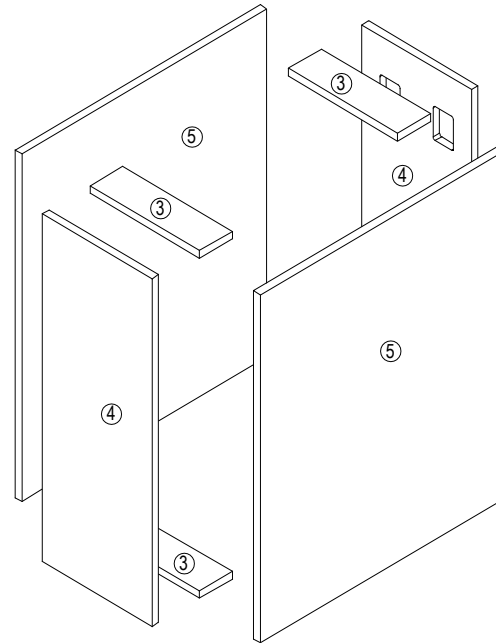


MODEL : FYM-04-2400
 DIMENSION : 2400W×1200D×750mmH
 DESCRIPTION : CONFERENCE TABLE

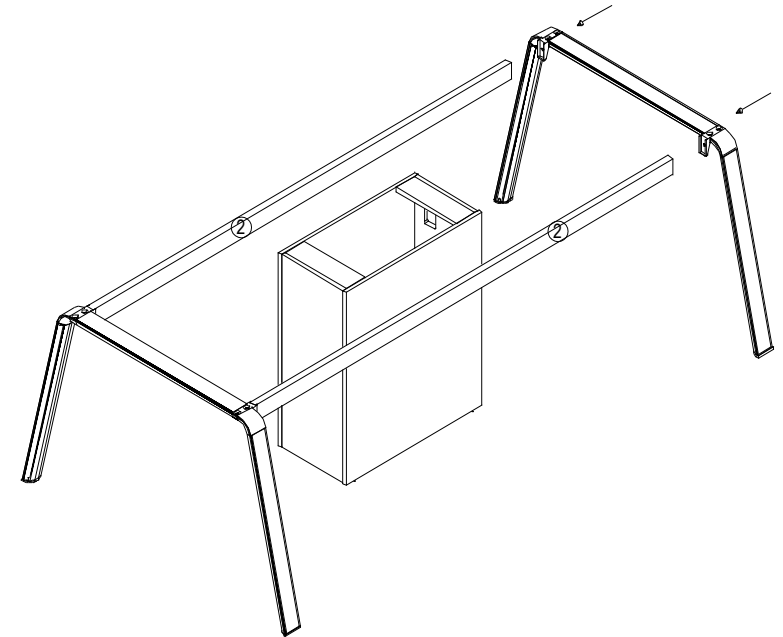
ASSEMBLY INSTRUCTION



STEP1

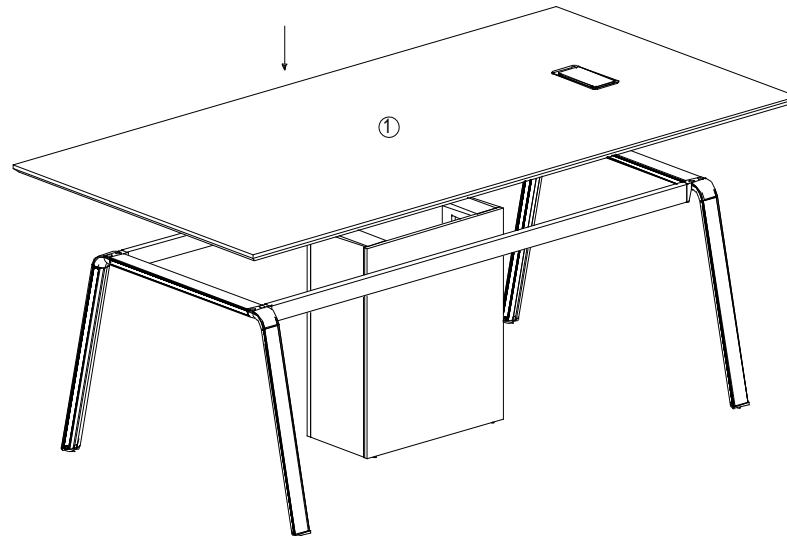


STEP2



NUMBER		DIMENSION
①	Table top	2400 × 1200 × 25 =1PC
②	Support bar	1845 × 60 × 25 =2PCS
③	Bottom support bar	268 × 80 × 16 =4PCS
④	Side board	715 × 268 × 16 =2PCS
⑤	Side board	715 × 600 × 16 =2PCS
⑥		
⑦		
⑧		
⑨		
⑩		
⑪		
⑫		
⑬		
⑭		
⑮		
⑯		

STEP3



STEP4

