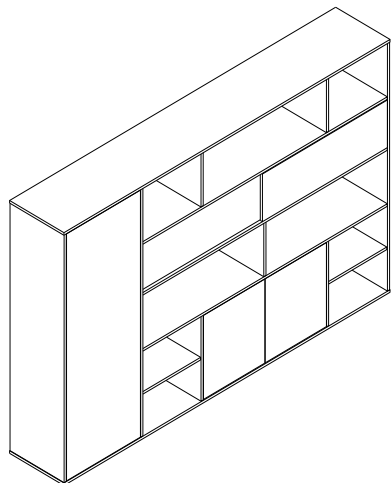
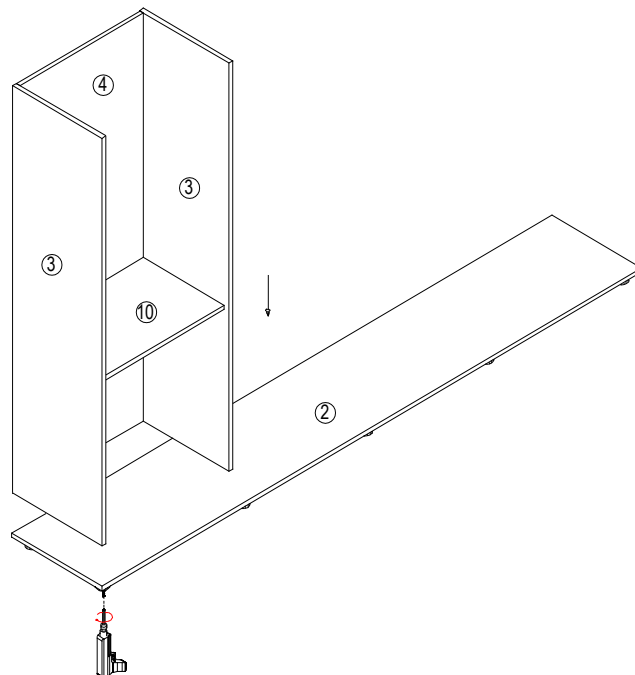


MODEL : FYM-02-2400
 DIMENSION : 2400W×400D×1600mmH
 DESCRIPTION : CABINET

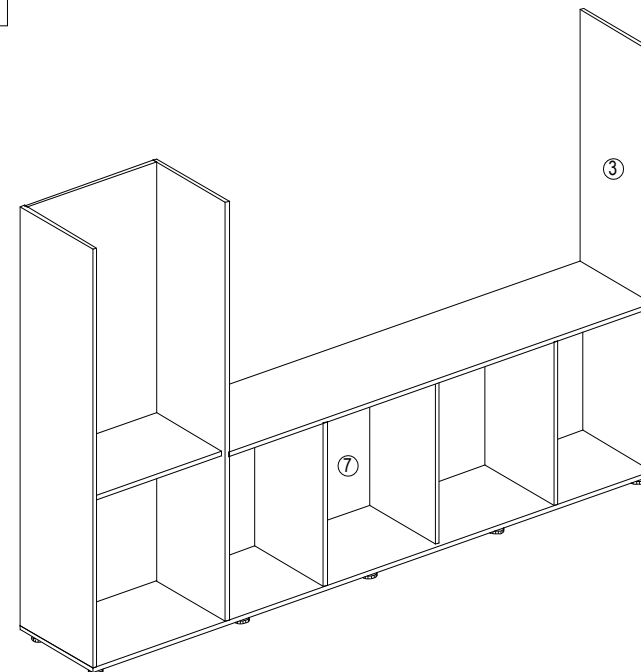
ASSEMBLY INSTRUCTION



STEP1



STEP2

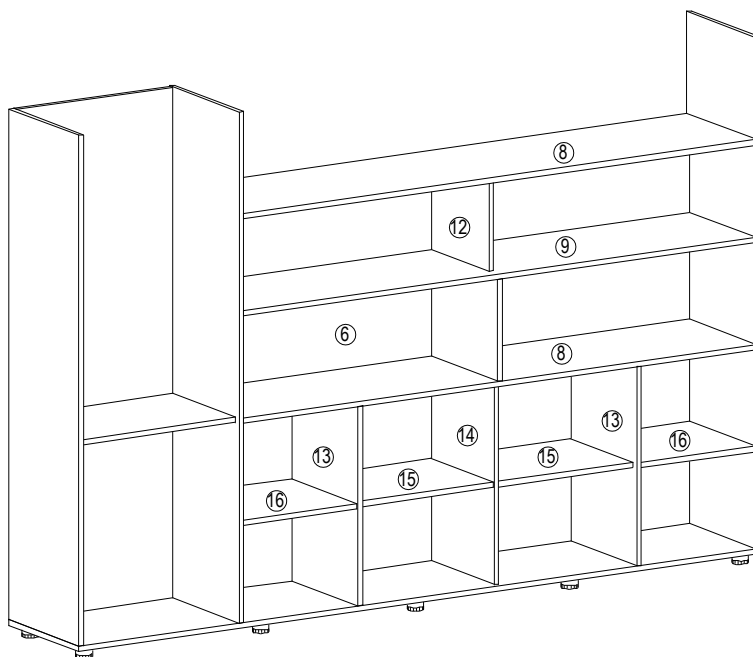


NUMBER

DIMENSION

①	Top board	2400 × 400 × 16 =1PC
②	Bottom board	2400 × 400 × 16 =1PC
③	Side board	1538 × 398 × 16 =3PCS
④	Left back board	1538 × 548 × 16 =1PC
⑤	Upper back board	1800 × 306 × 16 =1PC
⑥	Middle back board	1800 × 600 × 16 =1PC
⑦	Lower back board	1800 × 600 × 16 =1PC
⑧	Shelf 1	1800 × 394 × 16 =2PCS
⑨	Shelf 2	1800 × 378 × 16 =1PC
⑩	Fixed shelf	548 × 359 × 16 =1PC
⑪	Middle vertical board	306 × 377 × 16 =3PCS
⑫	Middle vertical board	278 × 328 × 16 =1PC
⑬	Middle side board	600 × 377 × 16 =2PCS
⑭	Middle side board small	600 × 359 × 16 =1PC
⑮	Movable shelf 1	470 × 354 × 16 =2PCS
⑯	Movable shelf 2	398 × 373 × 16 =2PCS

STEP3



STEP4

