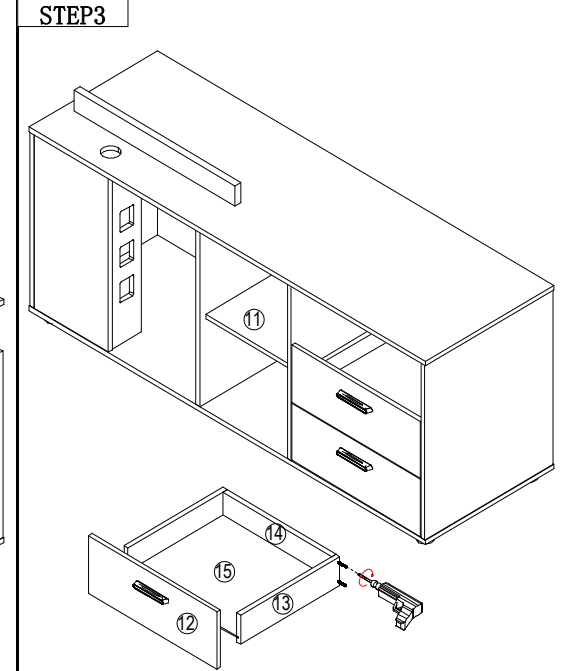
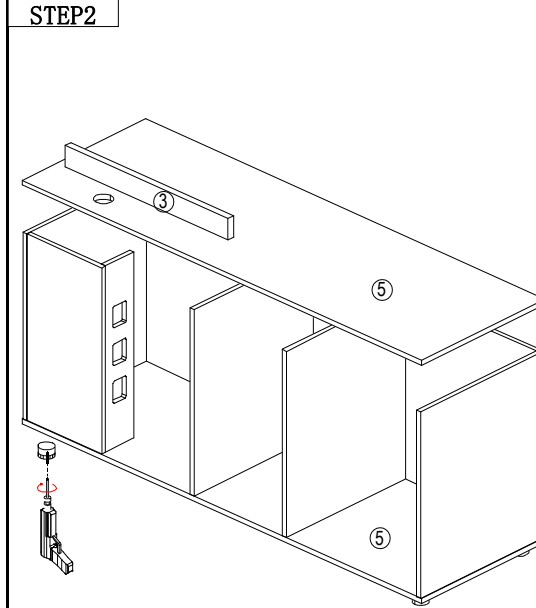
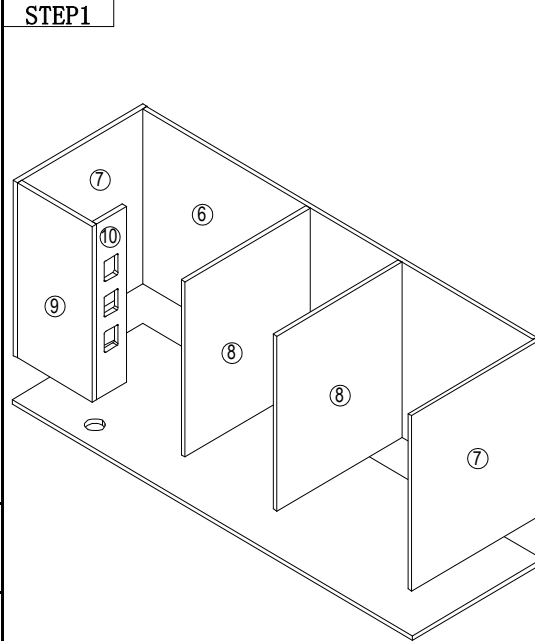
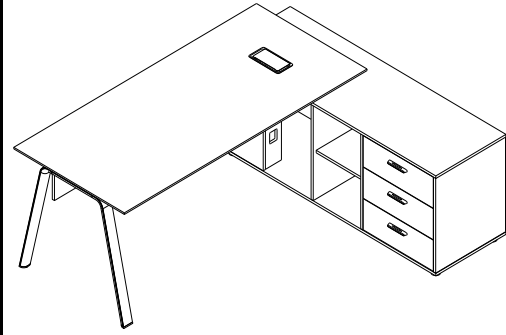


MODEL : FYM-01-2000  
 DIMENSION : 2000W×1650D×750mmH  
 DESCRIPTION : EXECUTIVE TABLE

# ASSEMBLY INSTRUCTION



NUMBER		DIMENSION
①	Table top	1800 × 820 × 25 =1PC
②	Panel	1200 × 298 × 16 =1PC
③	support board	650 × 69 × 25 =1PC
④	support bar	1530 × 60 × 25 =2PCS
⑤	Side cabinet: top board	1600 × 520 × 16 =2PCS
⑥	Back board	1564 × 594 × 16 =1PC
⑦	Side board	594 × 516 × 16 =2PCS
⑧	Middle side board	594 × 500 × 16 =2PCS
⑨	Side board	594 × 299 × 16 =1PC
⑩	Plug board	594 × 119 × 16 =1PC
⑪	Movable shelf	478 × 348 × 16 =1PC
⑫	Front of drawer	520 × 195 × 16 =3PCS
⑬	Side of drawer	399 × 100 × 16 =6PCS
⑭	Back of drawer	468 × 98 × 16 =3PCS
⑮	Bottom of drawer	478 × 394 × 3 =3PCS
⑯		

