

The product is subject to change without notice.  
Please keep this manual properly.



The diagram above is just for reference. Please take the appearance of the actual product as the standard.

## Midea Quick Heating Electric Water Heater (Instant-Heating Faucet)

# User Manual

Model: DSK30HPS-X

Please read this Manual carefully before use and keep it for future reference.

Wuhu Midea Kitchen & Bath Appliances Mfg. Co., Ltd.

Address: East Road Wanchun, East Area Economic & Technological  
Development Area, Wuhu City, Anhui Province, P.R.China.

Web site: [www.midea.com/global](http://www.midea.com/global) Postal code: 241000

Sincerely thank you for selecting our Quick Heating Electric Water Heater. Please read this manual carefully before use; correctly grasp the methods for installation and use of this Quick Heating Electric Water Heater, to make full use of its excellent performances. Please do preserve the instruction manual for future reference.

## CONTENTS

TITLE	PAGE
1. Safety Warnings .....	(3)
2. Product Overview .....	(5)
3. Use Instructions .....	(6)
4. Cleaning and Maintenance .....	(7)
5. Installation Instructions .....	(9)
6. Service Guide .....	(12)

## 1. Safety Warnings

### ⚠ Notes

In order to ensure safe use and avoid physical injury and property damage to you and others, please be sure to observe the following safety precautions. Failure to observe the safety warnings and incorrect use may possibly lead to accidents.

### ⊘ Mean the [prohibited] contents



Direct sunlight is prohibited



Prohibition of inflammable materials



Prohibition of wet areas



Do not touch with wet hands

- It is prohibited to place any flammable, explosive or corrosive substance near the instant-heating faucet.
- It is forbidden to use mobile socket, socket of incorrect specification or damaged power wire; it is forbidden to touch the plug, socket and remote controller with wet hand to prevent electric shock; it is forbidden to install or repair the product without cutting off the power supply.
- When cutting off the power supply, please do not pull the power wire directly to prevent it from being pulled off. If the power wire is damaged, it must be replaced by the dedicated staff of our company to avoid danger.
- Do not allow children to operate, touch, approach or climb the instant-heating faucet. Children and persons with intellectual disabilities should use it with the assistance of the guardian. This appliance can be used by children aged from 8 years and above and persons with reduced physical, sensory or mental capabilities or lack of experience and knowledge if they have been given supervision or instruction concerning use of the appliance in a safe way and understand the hazards involved. Children shall not play with the appliance. Cleaning and user maintenance shall not be made by children without supervision.



- It is strictly prohibited to install the instant-heating faucet outdoors; it is forbidden to install Instant-Heating Faucet near hot objects and direct sunlight.  
It is strictly forbidden to install the instant-heating faucet in an area that may freeze. If the water in the machine may freeze, please disconnect the power supply, it is prohibited to heat the instant-heating faucet.

- It is strictly forbidden to connect the instant-heating faucet to the solar water heater.

The water inlet of this applianceshall not be connected to inlet water obtained from any other water heatingsystem.

**WARNING:** This appliance is not to be used for a portable water supply.

- It is strictly forbidden to modify the instant hot-heating faucet without permission, and it is forbidden to use the machine for taking shower; it is not allowed to install filter, purifier and other blocking devices at the outlet of the faucet.
- Water supply stop in the home, pipeline repairs or long periods of non-use, when resume use for the first time, make sure to fill water into it, and then connect to the power supply after the air and dirty sewage in the pipeline are discharged.
- It is strictly forbidden to install the product upside down or at an angle. Please install the product according to the direction of the water inlet sign.
- Do not use the water in the instant-heating faucet directly as drinking water or similar purposes; do not hang or dry towels and other items on the instant-heating faucet.
- The power wire shall be firmly fixed to the power supply. It is prohibited to modify the power wire by yourself.
- If the product has abnormal noise, odor, high temperature, deformation, etc. during use, please cut off the power and water source immediately and stop using it.
- When the product is connected to the power supply, please do not use a plug. This product adopts the fixed wiring connection method. A kind of all-pole disconnection device under the condition of overvoltage level III must be installed in accordance with the fixed wiring rules.

- The water outlet of the product is the air vent, and the outlet shall not be connected to any unspecified faucet or joint.

**! Mean the [compulsory] contents**



Need to be grounded



Professional is required

- It must be installed or relocated by professionals. Disassembling the parts of the product by yourself may easily damage the product or cause hazard of electric shock. It may easily cause improper operation and cause damage to the product if it is disassembled by yourself.
- Before installing the instant-heating faucet, please check and confirm whether the ground wire is grounded, safe and reliable, and is not live, otherwise, please do not install and use it. When using it for the first time, water must be supplied first, and the power can be switched on only after water flows out from the nozzle.
- Make sure to use an independent power supply of 220V/50Hz. If the instant-heating faucet won't be used for a long period, please cut off the power supply and close the water inlet valve.
- Make sure to use the new hose assembly provided with the machine. Old hose assemblies shall not be reused.
- Before installation, make sure to confirm that the water inlet pipe is equipped with filter to prevent blockage caused by debris.
- The minimum starting pressure of the instant-heating faucet is 0.04MPa, and the maximum working pressure is 0.3MPa. For users with low water pressure such as rural areas and high-rise top floors, please confirm whether the home water pressure meets the working requirements before installation, so as to avoid that the machine to not work or the outlet water temperature is too high at low water pressure. Families with booster water pump and water pressure over 0.3MPa shall not use this machine or install a pressure reducing valve before using this machine, thus avoiding damage to the machine.

- Before installation, please confirm whether the circuit load and socket capacity meet the power requirements of the machine. When using the instant-heating faucet, please do not use other high-power appliances (electric rice cookers, electric irons, air conditioners, vacuum cleaners, microwave ovens) at the same time to avoid tripping.

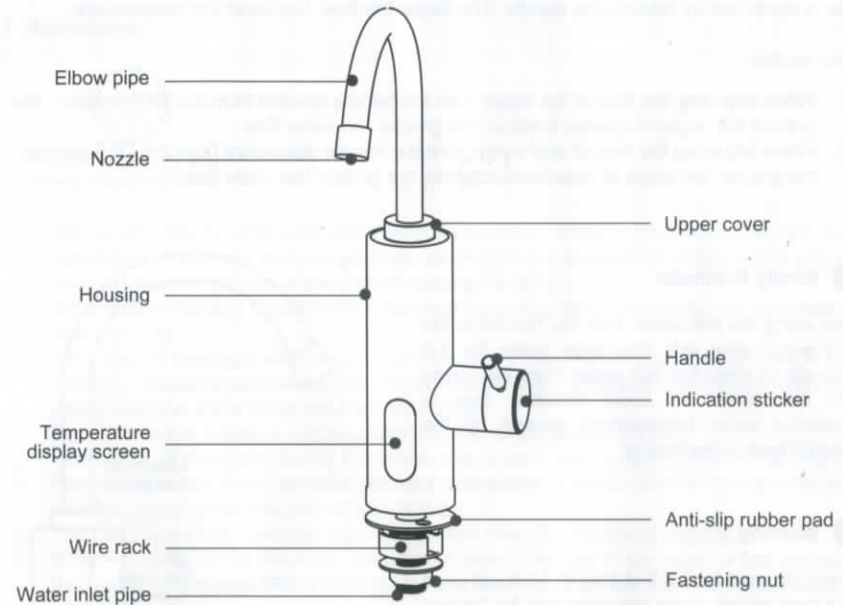
⚠ **【Note】 The items which may possibly cause light injury or property loss**

- When installing and using the instant-heating faucet, make sure that the machine is firmly installed. When the power wire passes through the sink, it is strictly forbidden to scratch the sink, and the machine must be fixed by hand when fixing the machine to avoid the power wire being damaged or cracked by the sink due to the rotation of the machine, resulting in electric leakage and personal danger.
- After turning off the instant-heating faucet, the residual heat in the heating pipe will increase the water temperature. Therefore, after using hot water, please adjust the handle to the cold water area and rinse with cold water for 3-5 seconds before cutting off water supply. When supplying hot water again, please use hot water after flowing the water for 5 seconds, so as to avoid scalding due to high temperature.
- Since the instant-heating faucet has different water temperature under different water temperature and different flow rate, when using the electric heating faucet, you should adjust the inlet water flow rate and test the water temperature, ensure that the outlet water temperature does not exceed 50°C, so as to prevent scalding.

## 2. Product Overview

### ⚠ Notes

Due to differences in product appearance, the following figures are for reference only, please see the real product in the package.





### 3. Use Instructions

#### 3.1 Operation Guidance

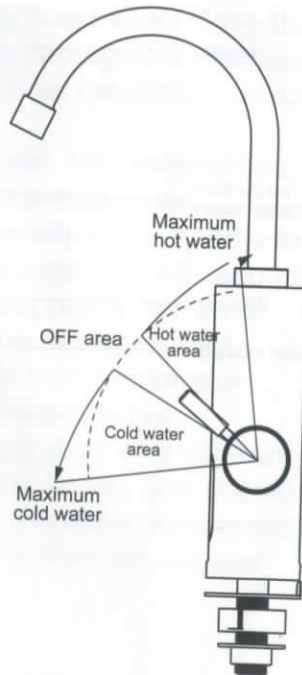
- Heating control: turn the handle upwards, when the water flow is  $\geq 1.5$  L/min, the machine starts to work;
- Temperature control: The current temperature is displayed on the display screen, and the water flow is controlled by rotating the handle. The larger the flow, the lower the temperature.
- Flow control:
  - ① When adjusting the flow of hot water, turn the handle upward from the OFF position, the greater the angle of upward rotation, the greater the water flow;
  - ② When adjusting the flow of cold water, turn the handle downward from the OFF position, the greater the angle of downward rotation, the greater the water flow.

#### 1 Kindly Reminder

After using the hot water, turn the handle to the cold water area and discharge water for 3-5 seconds to drain the hot water from the cavity with cold water to avoid scalding due to excessive water temperature caused by the residual heat of the heater.

#### 1 Warning

When it is used for the first time or if it is not used for a long period, when resuming use for the first time, water must be supplied first, and electricity can be turned on after the water flows out of the nozzle. When resuming use after the tap water is stopped or the pipeline is repaired, the air, impurities, and sewage in the pipeline must be discharged before supplying power.



### 4. Cleaning and Maintenance

#### ⚠ Notes

In order to ensure the normal operation of the product, avoid improper maintenance and malfunction, and endanger the human safety, the instant-heating faucet needs to be maintained during daily use.

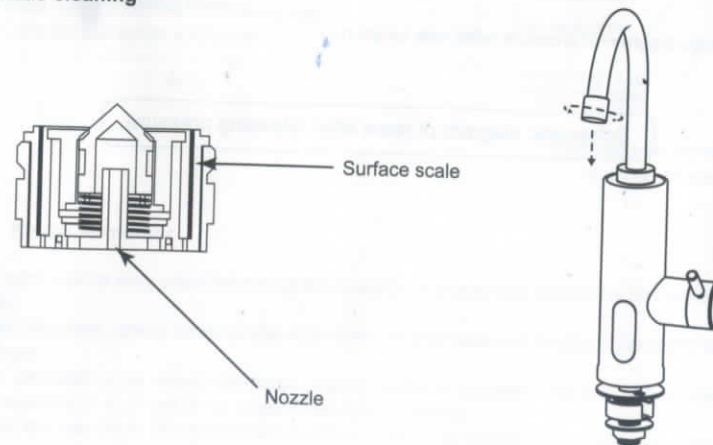
#### 4.1 Maintenance



Prohibit to clean it with strong volatile solvents

- ① Gently wipe the housing with damp cloth and a small amount of neutral detergent. Do not use chemical solvents such as gasoline, alcohol or acid solutions. Finally, wipe it with a dry cloth to keep the surface of the instant-heating faucet dry.
- ② If the instant-heating faucet will not be used for a long time, please cut off the power and water source.
- ③ If the instant-heating faucet is not used for a long period, when you resume using it for the first time, please supply water first, check whether the machine is leaking, and then supply power after the water flows out from the nozzle.
- ④ Do not flush the machine and plug with water to avoid electric shock.
- ⑤ Please cut off the power during thunderstorms to avoid damaging the instant-heating faucet.
- ⑥ Please frequently check whether the wire connection is loose, whether the ground wire is reliable, and whether the ground wire is live.
- ⑦ The nozzle must be descaled regularly, please clean the nozzle frequently.
- ⑧ If there is water in the machine, the internal water pressure is too large, or the pressure of the machine is released due to icing, the pressure relief device must be reset before use, otherwise the machine will leak water.

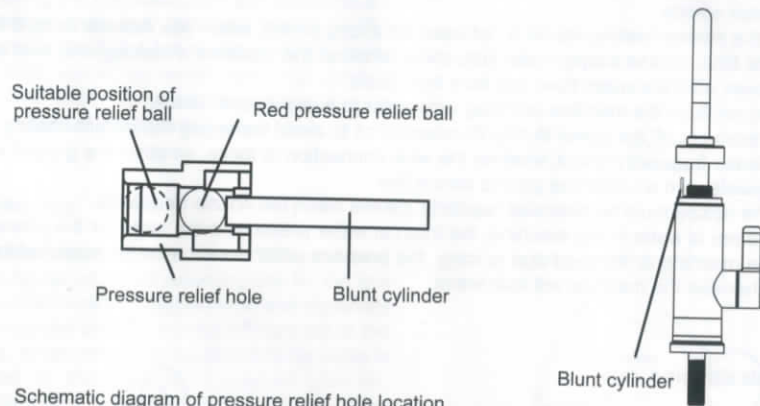
#### 4.2 Nozzle cleaning



- Rotate the nozzle to the left and wipe the inside of the nozzle with cotton swab. After cleaning, aim the nozzle at the nozzle hole of the machine, and turn it to the right, finish cleaning.

#### 4.3 Reset method after releasing pressure

- Before preparing to reset the pressure relief ball, first check whether the machine is connected to the power source. If so, unplug or disconnect the power source of the machine first. Then use a suitable tool. It shall be a stick with diameter <math>< 1.9\text{mm}</math>, the diameter of the pressure hole is 1.9mm, and the contact surface with the pressure-relieved rubber ball must be smooth. It shall not be a sharp object, otherwise, it will cause irreversible damage to the pressure relief ball and cause subsequent hidden dangers such as water leakage. The common suitable tool at home is a toothpick with the cut surface smooth or close to smooth. Move the smooth end of the simple tool that has just been made along the pressure relief hole of the water tank. Slowly push the ejected pressure relief ball back into the hole. After reset, observe the pressure relief ball from the hole, the pressure relief ball should be 8 -10mm inward, it shall not be too deep, otherwise, it may cause the pressure relief ball to fall off. Then supply power again and the repair is complete. (Pressure relief is the product's protection for user safety, when the pressure is relieved, it can be reset by user.)



Schematic diagram of pressure relief hole location

Schematic diagram of reset after releasing pressure

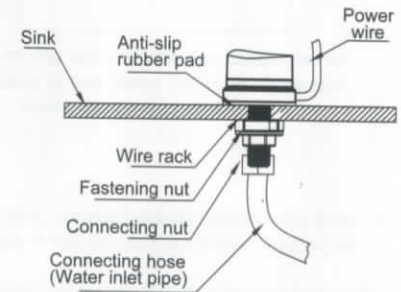
## 5. Installation Instructions

### 5.1 Machine installation

When installing the machine, choose the power wire outgoing method according to your needs. The power wire can be placed above or below the sink. When wiring downwards, please confirm that the diameter of the installation hole in the sink is  $> \varnothing 30\text{mm}$ .

#### I. Installation through wiring above the sink

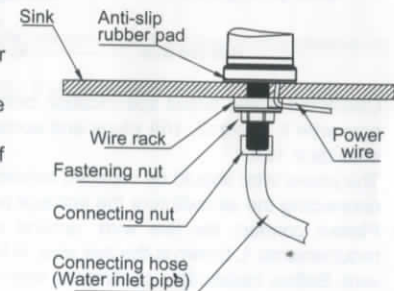
- ① Unscrew the fixing nut and remove the wire rack;
- ② Lead the power wire out of the machine slot;
- ③ Put on the non-slip rubber pad and insert the water inlet pipe into the mounting hole;
- ④ Secure the machine with fixing nut;
- ⑤ Connect the water inlet pipe.



Installation schematic diagram of wiring above the sink

#### II. Installation through wiring below the sink

- ① Unscrew the fixing nut and remove the wire rack;
- ② Put on the non-slip rubber pad and pass the power wire through the rubber pad;
- ③ Insert the power wire and water inlet pipe from the mounting hole;
- ④ Put on the wire rack and lead the power wire out of the slot;
- ⑤ Secure the machine with fixing nut;
- ⑥ Connect the water inlet pipe.



Installation schematic diagram of wiring below the sink

#### ! Kindly Reminder

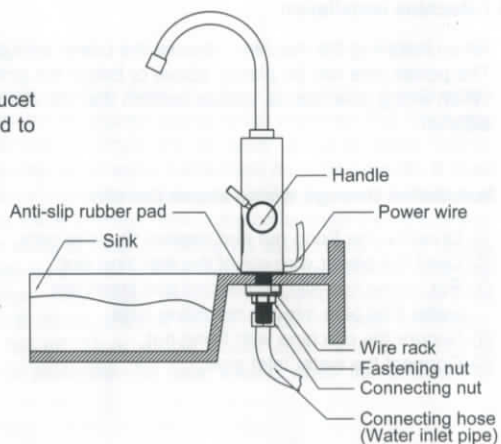
- The wire rack is only used for wiring downwards, if the power wire is on the sink, it may not be used.
- When installing, check whether the rubber ring in the hose nut is placed correctly to avoid water leakage.
- After connecting the water inlet hose, supply water to test machine first, adjust the handle, turn off the water, and check if the water inlet pipe is leaking; Adjust the handle to the maximum position of the cold water, and check whether the machine and pipes are leaking.



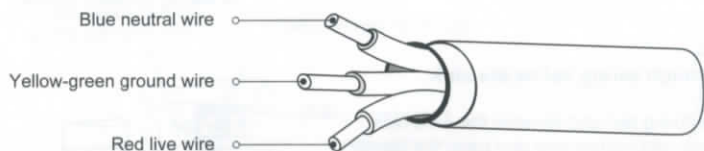
- During the installation of the power wire, if it is found that the power wire sheath is cut, damaged, or there is a risk of leakage, it is forbidden to continue using it, and the power wire or machine must be replaced.

**Warning**

- The water outlet of the instant-heating faucet is the air vent, and shall not be connected to any unspecified faucet or joint.



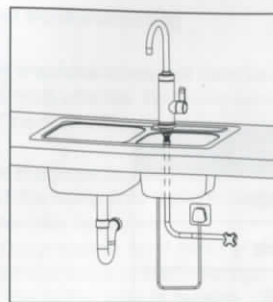
**5.2 Installation of power wire**



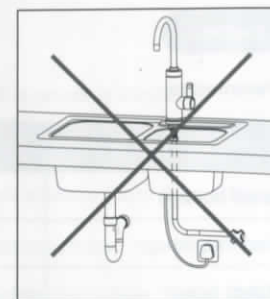
- Check the home circuit specification before installation: check the wire which must be copper core wire  $\geq 1.5\text{mm}^2$ , 16A plugs and sockets must be selected, and the air switch specification shall be  $\geq 16\text{A}$ .
- The power wire should be installed behind the all-pole disconnection device in the circuit. When connecting the air switch or the leakage protection plug, make sure to wire correctly.
- Please connect the live wire, ground wire, and neutral wire separately according to the requirements. L brown is the live wire, N blue is the neutral wire, and yellow-green is the ground wire. Before installation, confirm the wire with test pencil and then connect accordingly.
- When installing the wire on the leakage protection plug, fix the wire to the left of the screw. When fixing, the screw must be tightened to ensure that the wire is firmly fixed to the terminal and shall not be loose, otherwise it will cause fire.

**Warning**

- When the product is connected to the power supply, please do not use a plug. This product adopts the fixed wiring connection method. A kind of all-pole disconnection device under the condition of overvoltage level III must be installed in accordance with the fixed wiring rules.



Correct wiring method



The wrong wiring method will cause water droplets to flow along the power wire and cause the plug to short-circuit

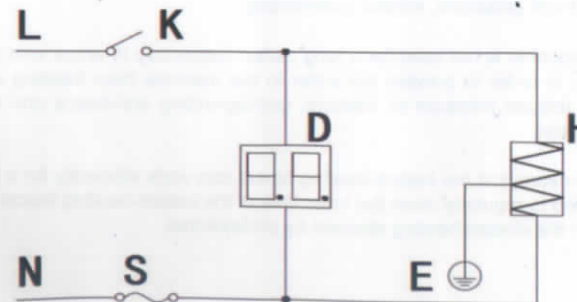
**Kindly Reminder**

- Considering that the power socket may be under the sink, please pass the power wire through the sink before connecting the plug, therefore, the plugs of this product are not connected when leaving the factory.
- After the product is installed, supply cold water, and then power on and test the machine after the water flows out of the nozzle.
- The rated power of the socket must not be less than the rated power of this product.
- After installation, arrange the power wire and fix the leakage protection plug firmly to the socket.

**Warning**

- When water leaks or abnormalities are found in the main unit during debugging or use, please cut off the power immediately.
- The power wire shall be firmly fixed to the power supply. It is prohibited to modify the power wire by yourself.

**5.3 Circuit Diagram**



## 6. Service Guide

### 6.1 Product Parameters

Model	DSK30HPS-X
Rated voltage	220~240V
Rated frequency	50/60Hz
Rated power	3300W
Rated current	13.6A
Plug/socket	16A
Wire diameter	1.5mm <sup>2</sup>
Rated pressure	0MPa
Starting flow	1.5L/min
Waterproofing grade	IPX4
Electric shock protection class	Class I
Product dimension	185x61.3x425mm

### 6.2 Troubleshooting

#### ⚠ Notes

- The following are the judgments and inspections of common faults.

- ① Frequently check that the power wire plug and socket, which should be in good contact, reliable, and well grounded, without overheating.
- ② When the machine is not used for a long period, especially in areas with low temperature (below 0°C), in order to prevent the water in the machine from freezing and causing the machine to release pressure or damage, corresponding anti-freeze and warm measures should be taken.
- ③ In order to ensure that the instant-heating faucet can work efficiently for a long period, it is recommended to regularly clean the inner tank of the instant-heating faucet and remove the sediment on the electric heating element by professional.

### 6.3 General troubleshooting

- ① **The machine does not heat up**
  - a. Check whether the wiring is correct, and whether power is supplied;
  - b. Check whether the product start water pressure is reached.
- ② **The machine is leaking**
  - a. If the water inlet hose is leaking, please check whether there is a rubber gasket in the water inlet hose nut.
  - b. The pressure relief valve of the main unit is leaking, please insert the pressure relief ball into the pressure relief hole again.
  - c. The outlet pipe is leaking, please check whether the rubber ring of the outlet pipe is correctly installed.
- ③ **The outlet water temperature is too high**
  - a. Check whether the water pressure of the water supply line is low and whether the water output is too small, please increase the water output.
  - b. If the water pressure is normal, please check whether the filter of the water inlet and the nozzle of the water outlet are clogged, please clean it in time.
- ④ **The water output is too small**
  - a. The reason is the same as above.
- ⑤ **Water temperature is too low and heating is interrupted**
  - a. Check whether the water supply pressure is sufficient to reach the starting water pressure.
  - b. Check whether the water inlet filter and the nozzle of the water outlet are clogged, the heating is interrupted due to insufficient flow, please continue to clean it.
  - c. Check whether there is serious scale on the surface of the heating tube. If there is scale, please soak it in vinegar for 4 hours.
- ⑥ **Both cold and hot water are heated**
  - a. Check whether the nozzle of the water outlet is clogged, please clean it.
  - b. Very high water pressure may also cause this problem, please reduce the water output.