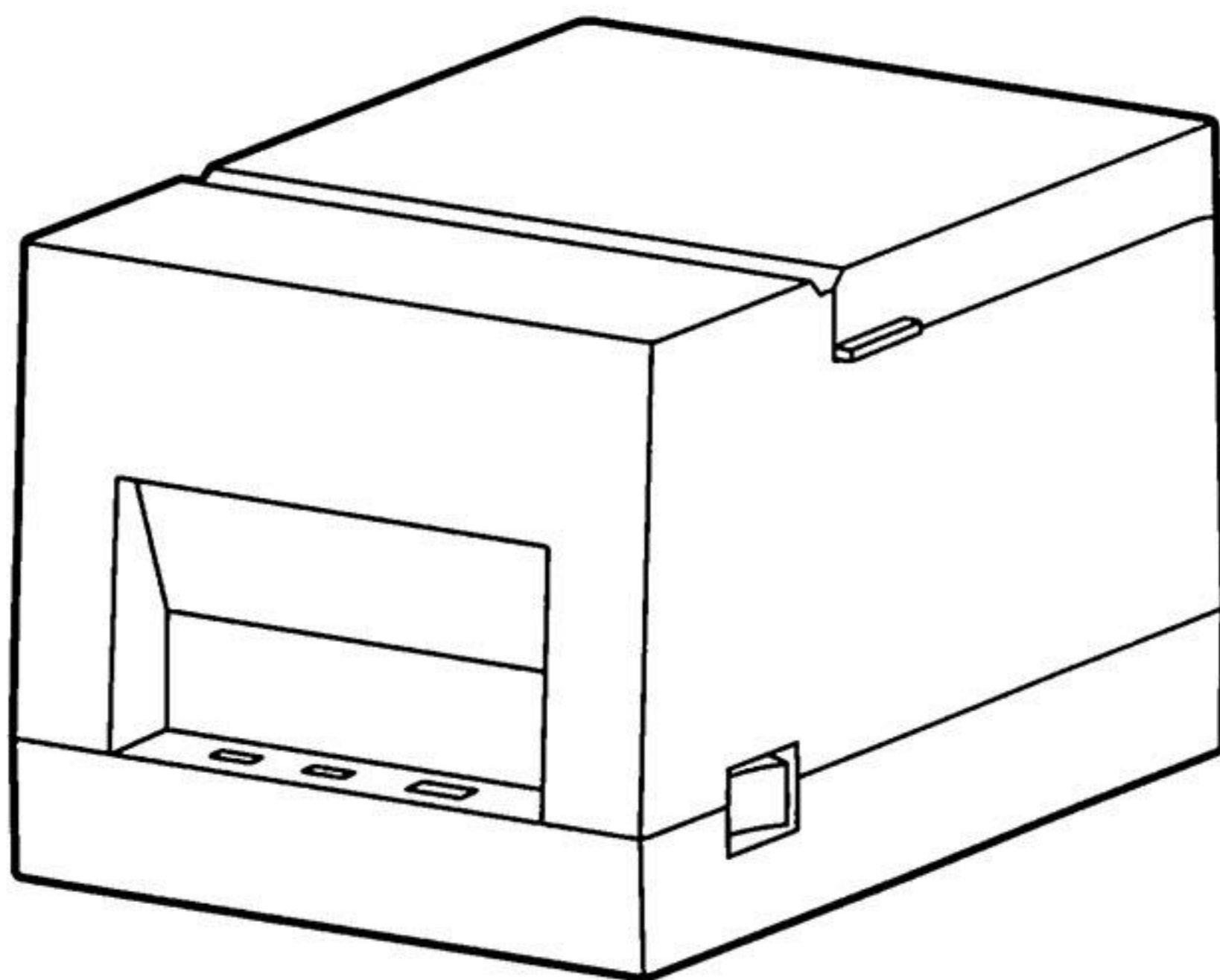


THERMAL RECEIPT PRINTER

USER'S MANUAL

MODEL: 581P/581PW

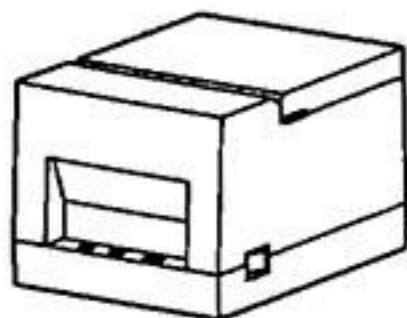


deli

DELI GROUP CO.,LTD.
www.deliworld.com

1.packing checklist

Please check if the product is intact after unpacking and verify that all the accessories have been received. Please contact the dealer for any defect and/or missing of accessory.



Printer



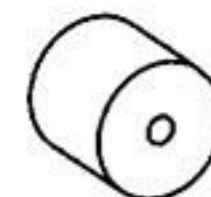
USB cable



Power cord

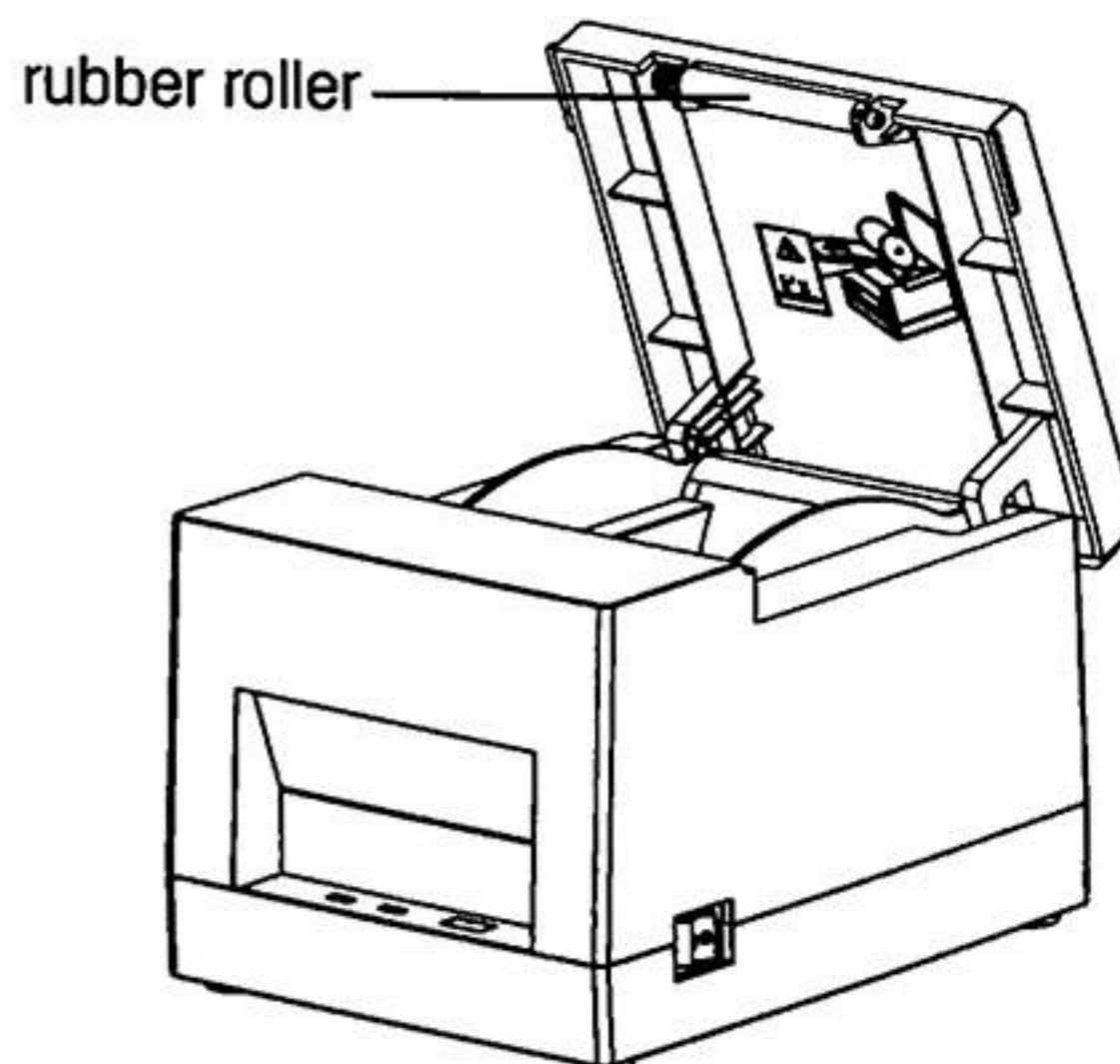
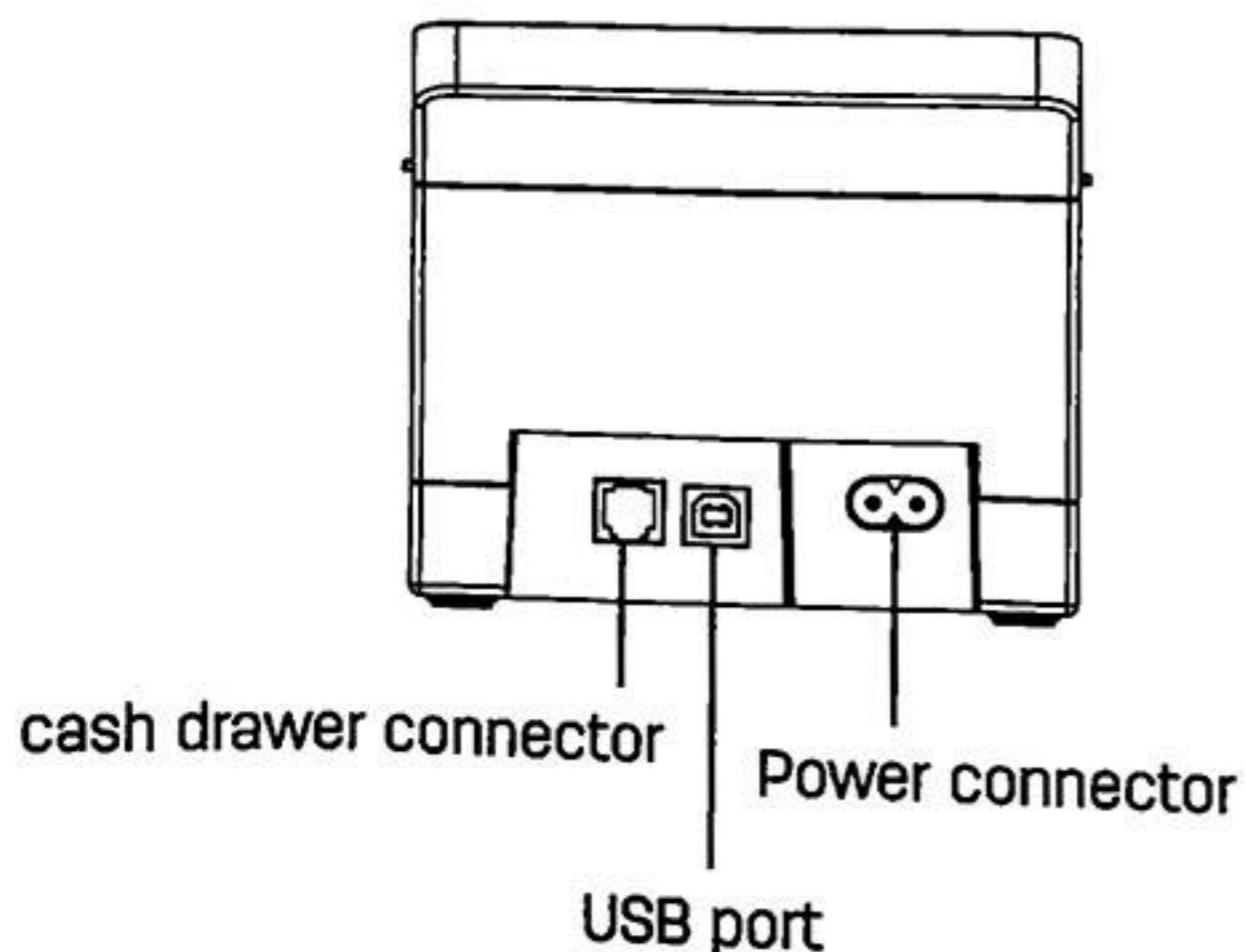
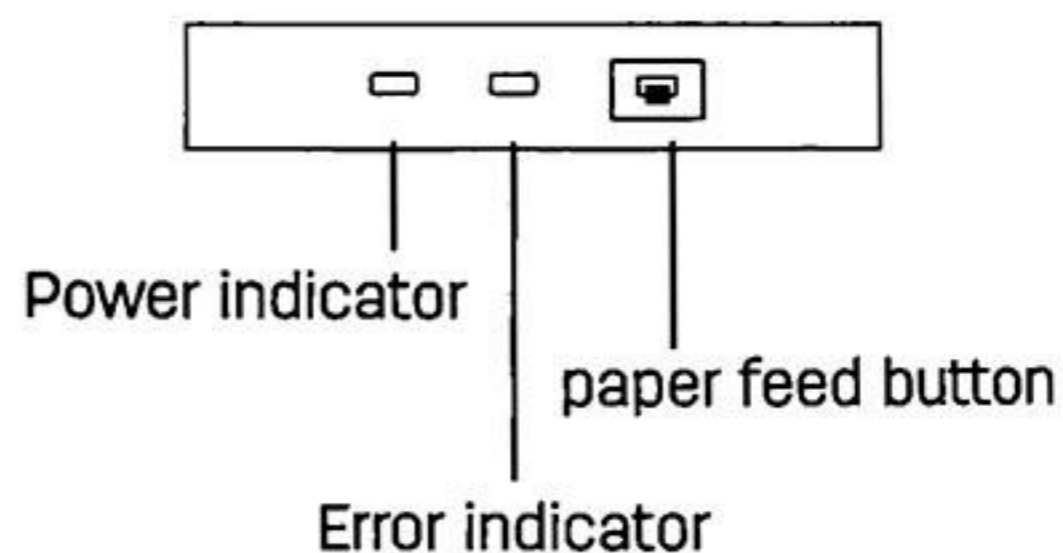
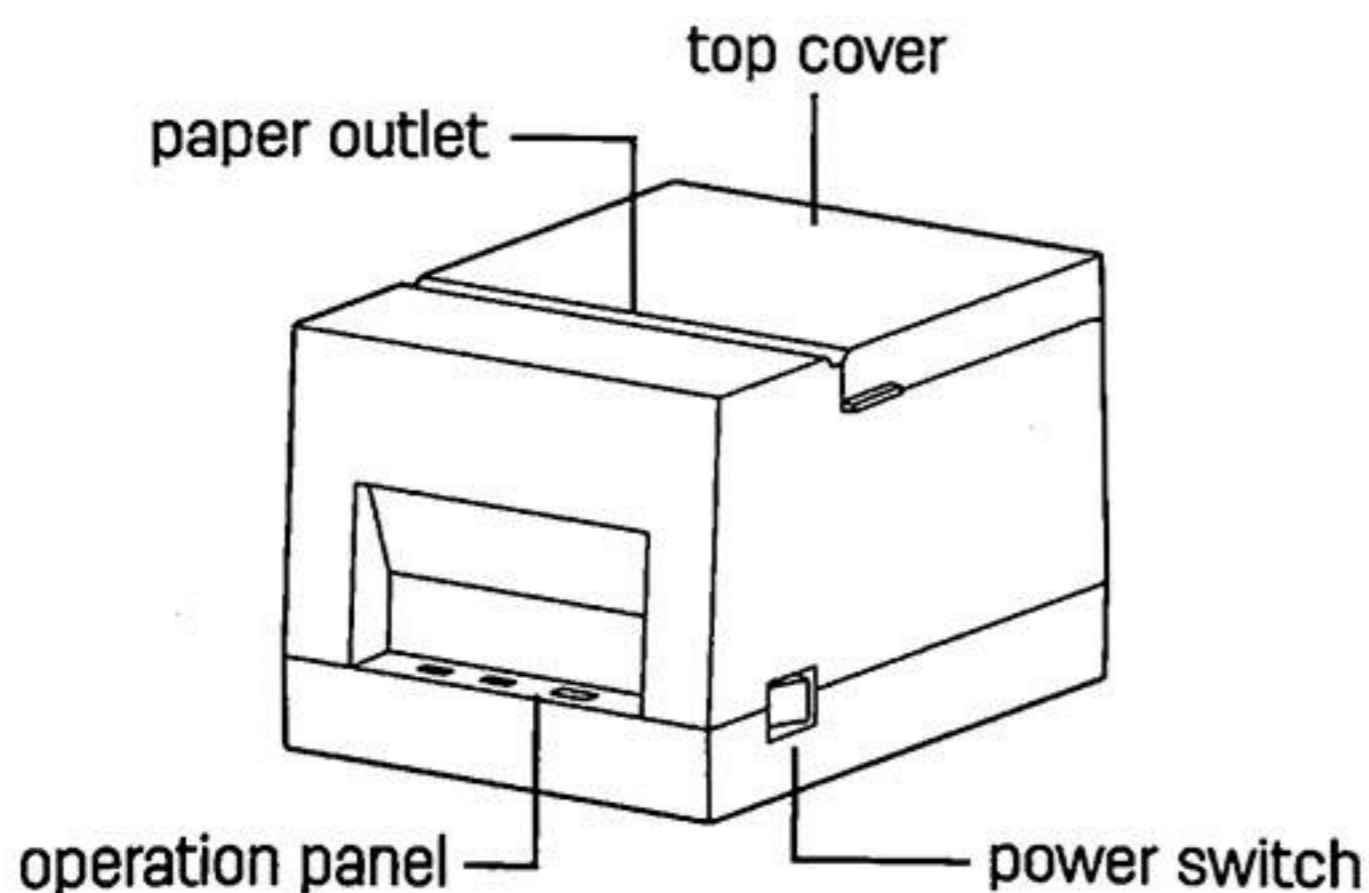


User manual



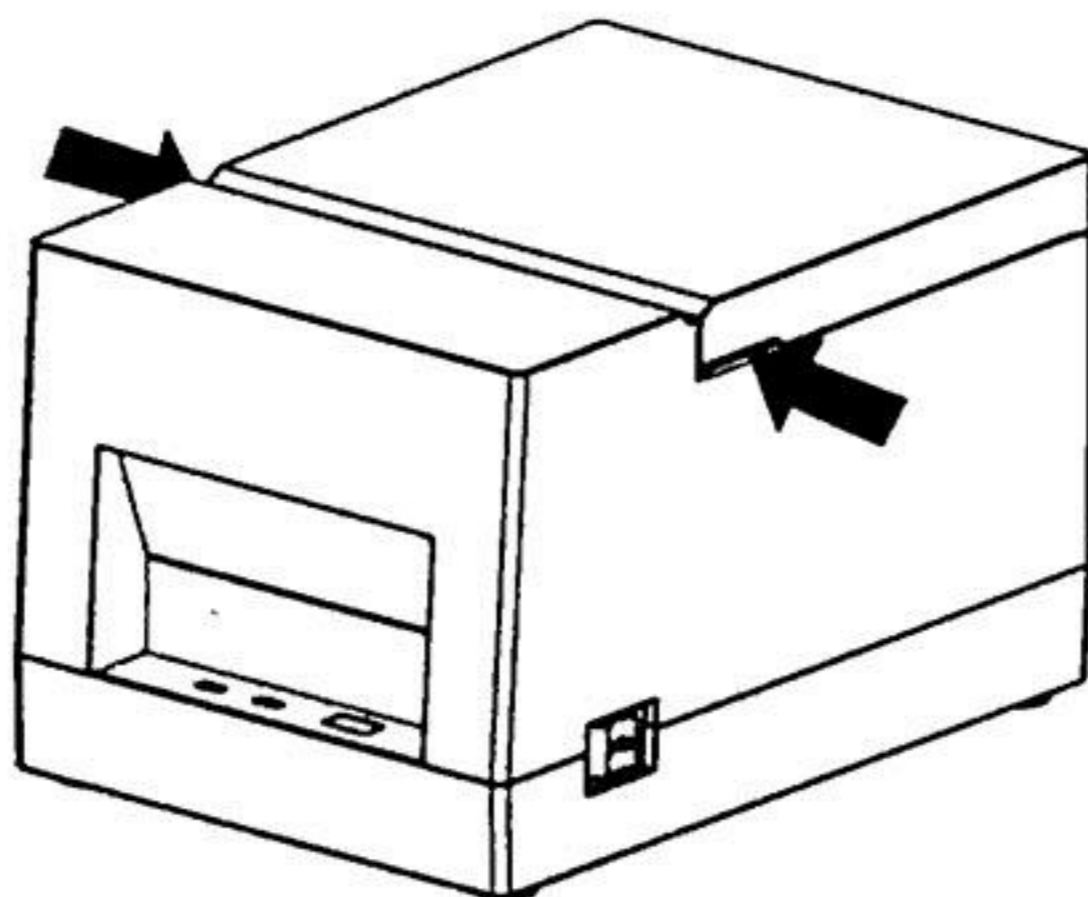
Paper roll

2.Physical appearance and components

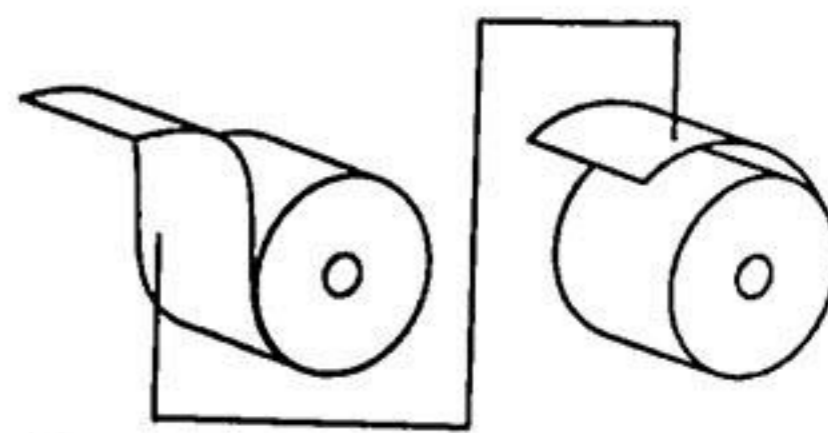
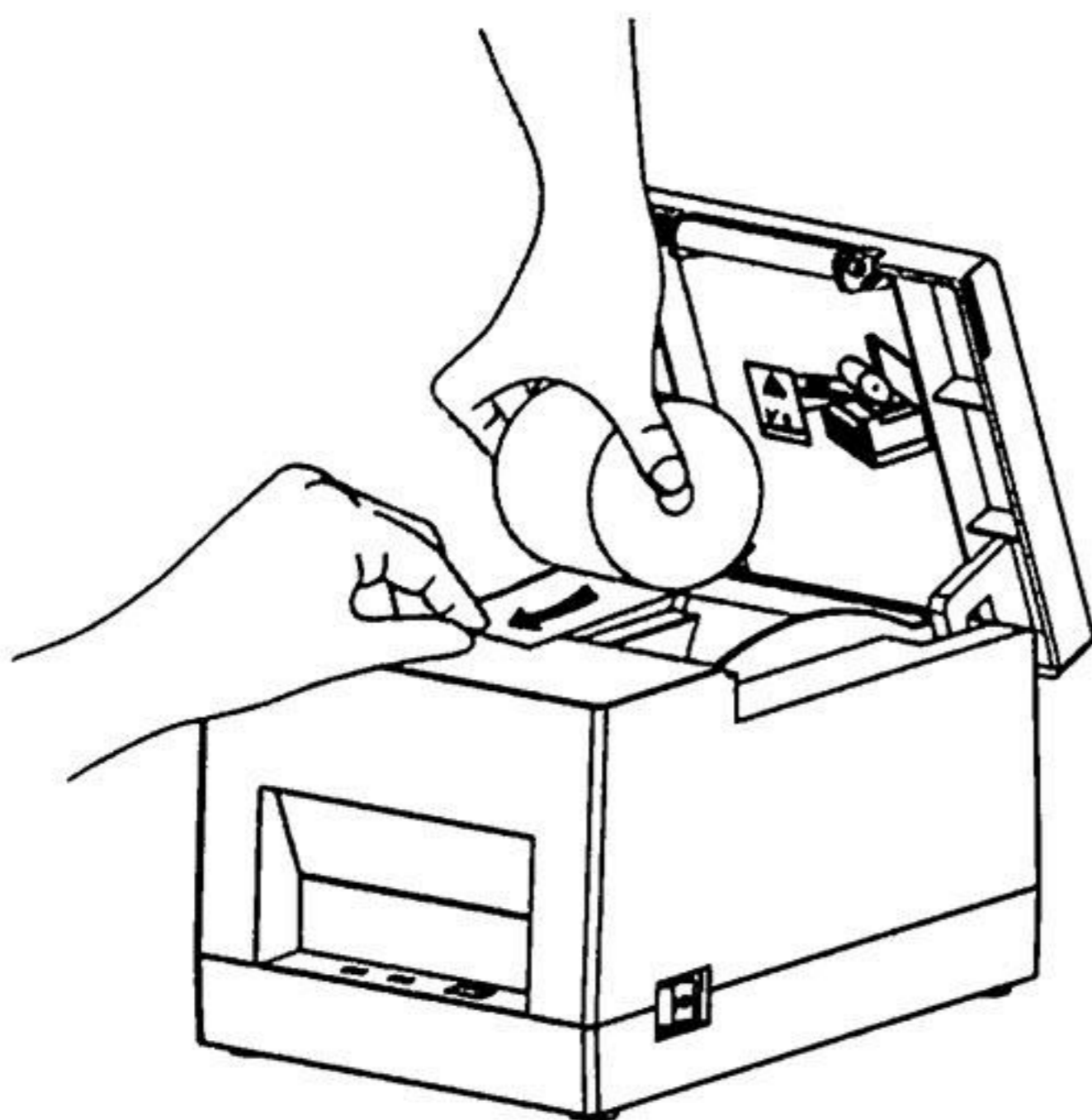


3.Loading the paper roll

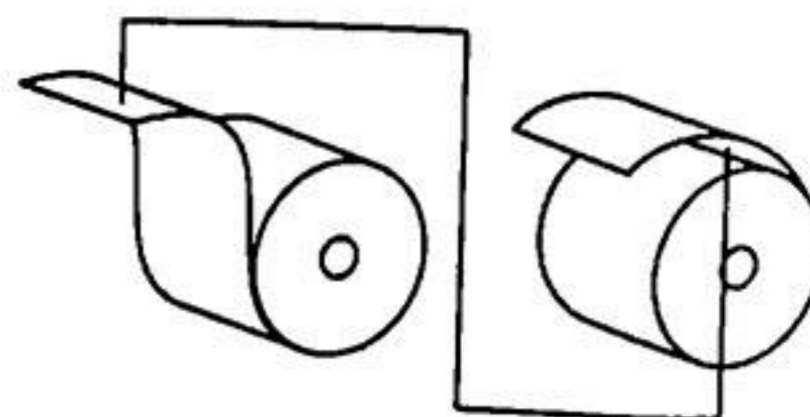
1. Follow the arrow to open the printer top cover by pushing it up.
2. Please remove the paper roll inside the paper compartment, if there are any.



3. Place the paper roll into the paper compartment in the right direction.



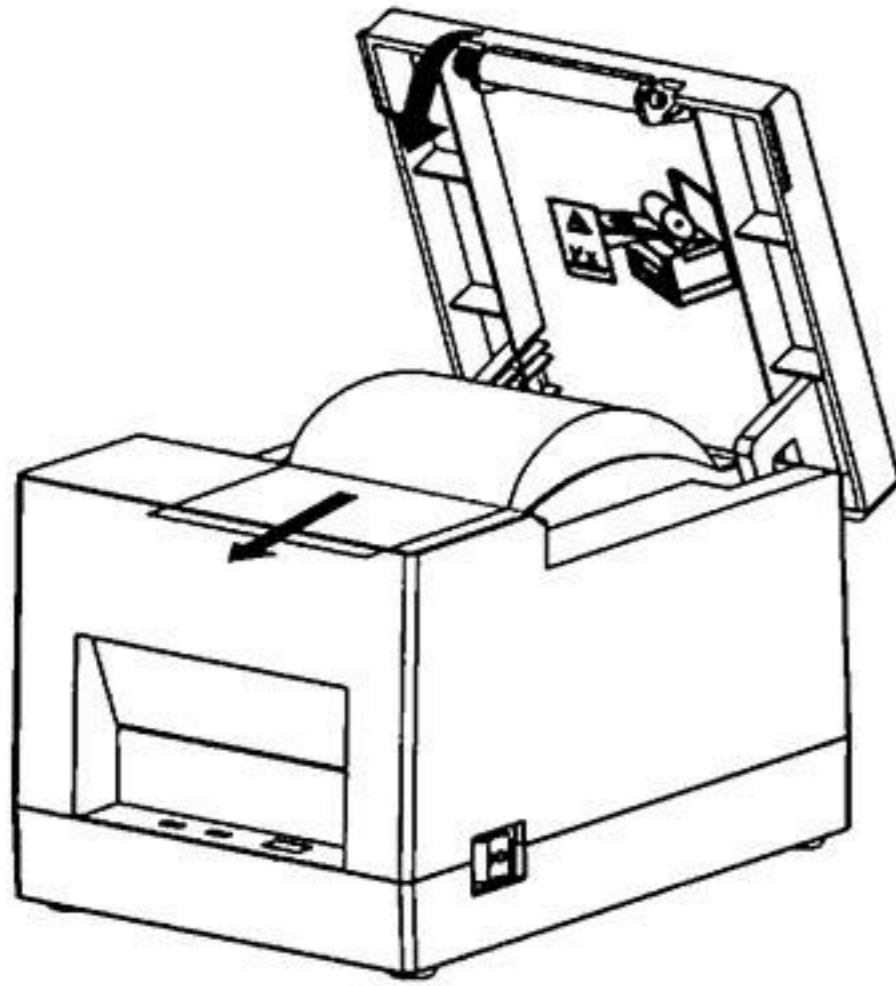
The heat-sensitive side faces outward



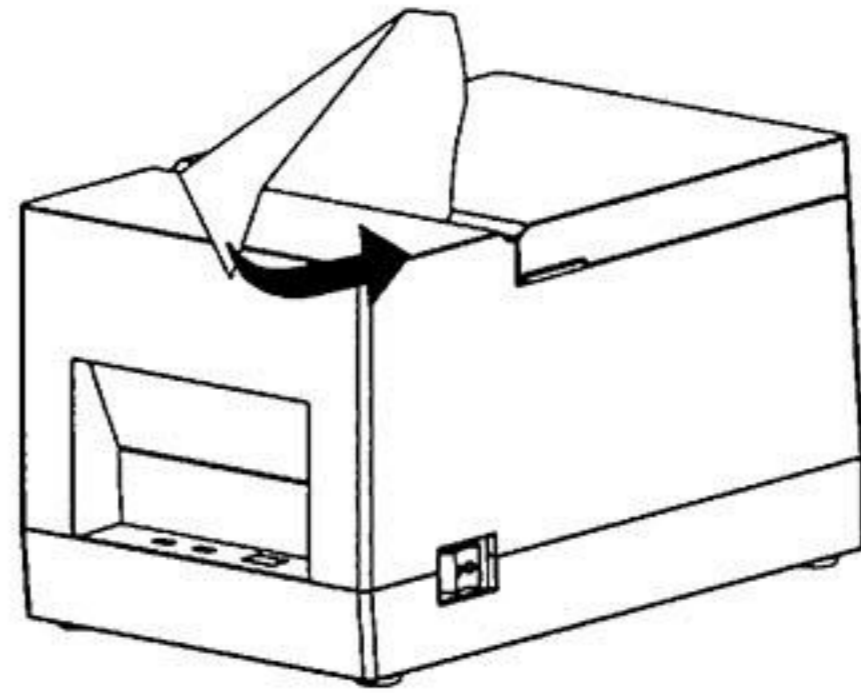
The heat-sensitive side faces inward



4. Please pull out a small amount of paper in the front , and then close the printer top cover.

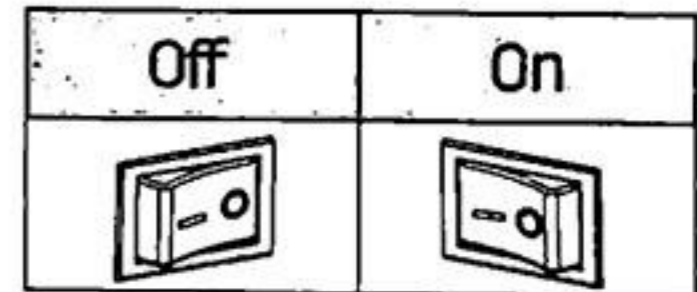


5. Tear off excess paper

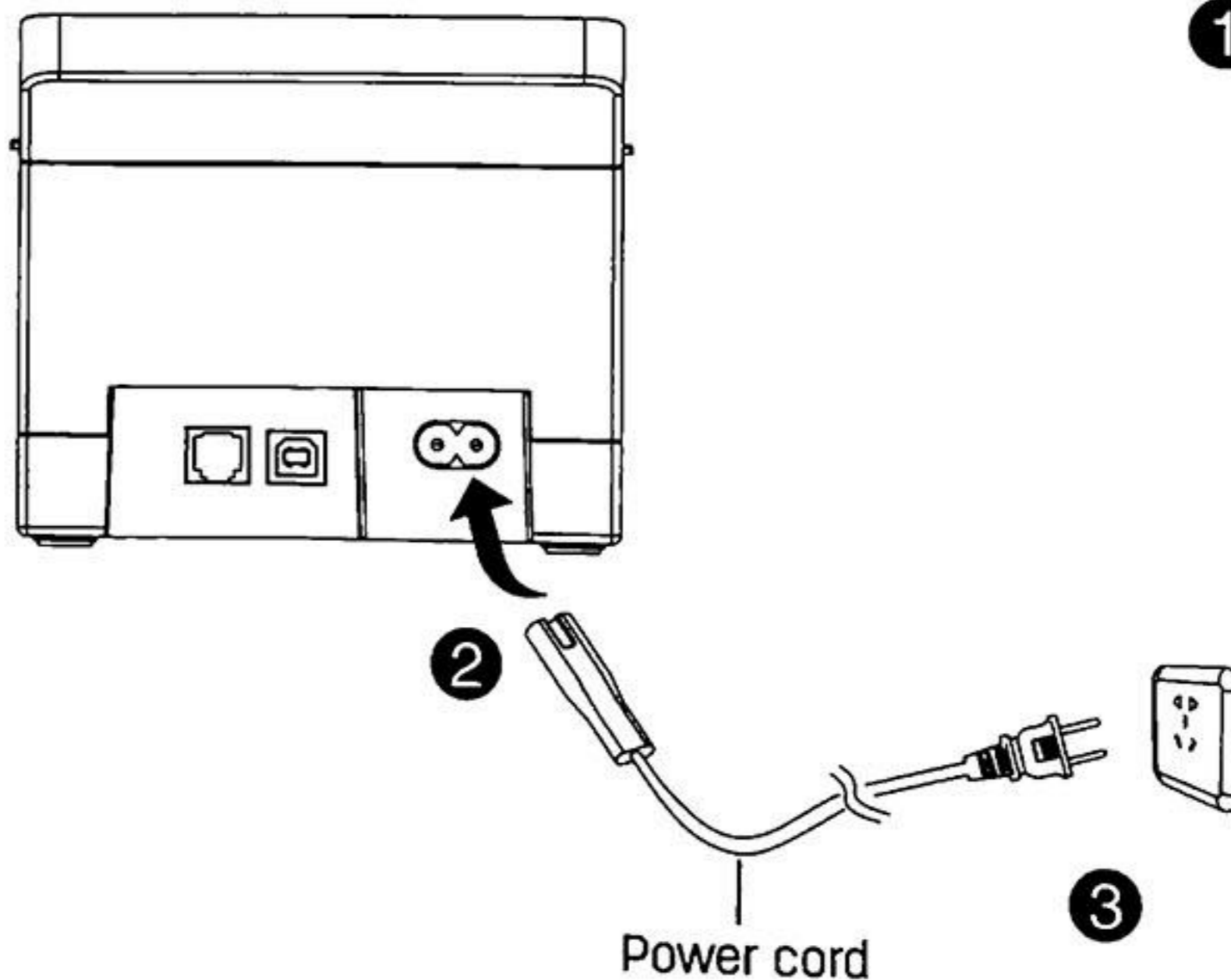


4. Connecting the power cord

1. Make sure the printer's power switch is off (O).
2. Connect the power adapter to the printer.
3. Plug the power cord into the other end of the power supply.



1



Tips:

1. To download the driver and editing software, please go to Deli's official website www.deliworld.com .
2. Do not touch the cutter