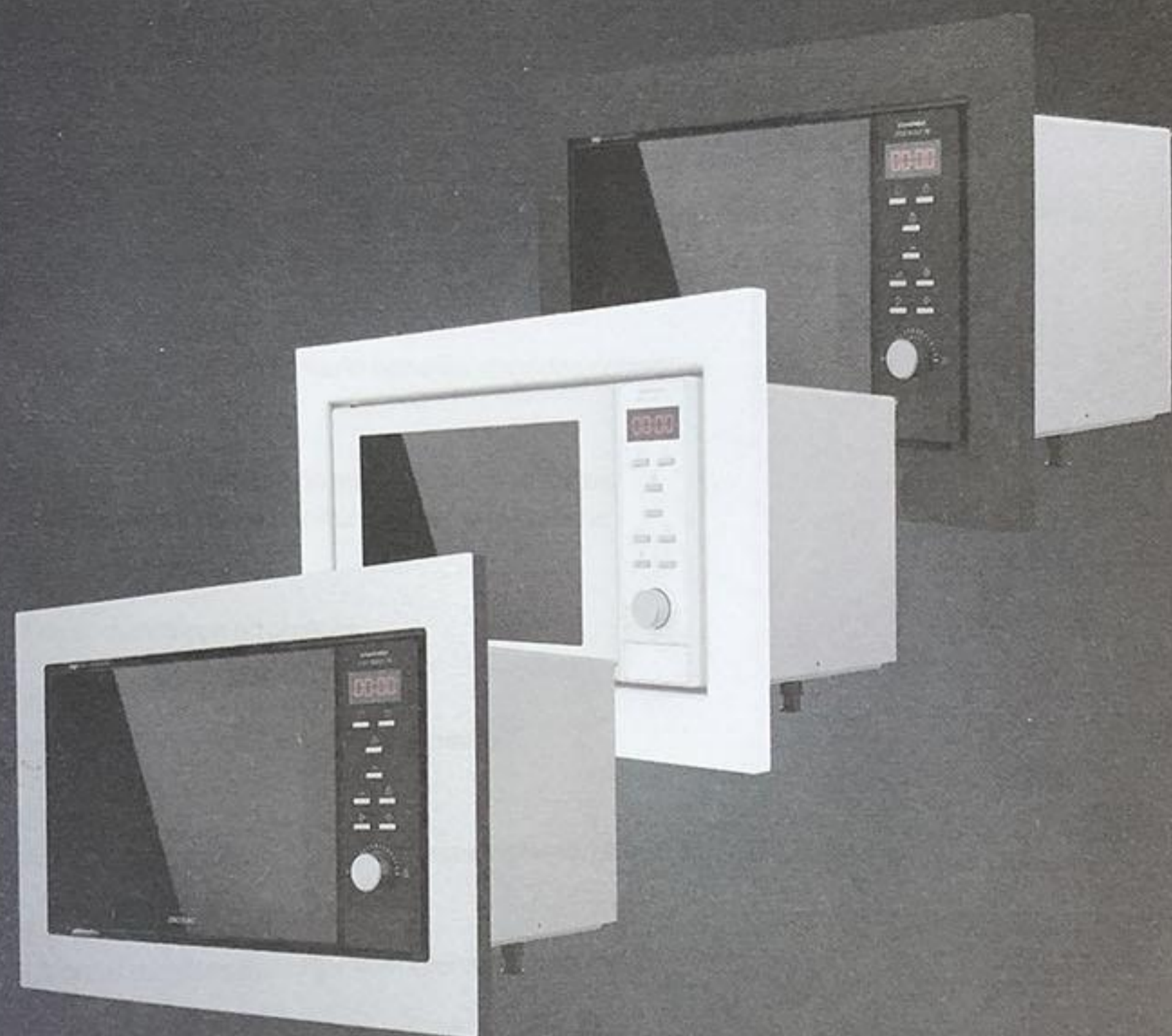


cecotec

GRANDHEAT 2350 BUILT-IN BLACK / WHITE / STEEL BLACK

Microondas encastrables / Built-in microwave



Manual de instalación
Installation manual
Manuel d'installation
Einbauanleitung
Manuale di installazione
Manual de instalação
Instrukcje instalacyjne
Instalační manuál

SAFETY INSTRUCTIONS

Read these instructions thoroughly before using the appliance. Keep this instruction manual for future reference or new users. Make sure that the mains voltage matches the voltage stated on the rating label of the appliance and that the outlet is grounded.

This appliance must be grounded. This oven is equipped with a cord having a grounding wire with a grounding plug. It must be plugged into a wall receptacle that is properly installed and grounded. In the event of an electrical short circuit, grounding reduces risk of electric shock by providing an escape wire for the electric current.

Do not operate outdoors.

This appliance is intended for domestic use only. It is specifically designed to heat, cook or dry food. It is not designed for industrial or laboratory use.

Use this appliance only for intended purposes as described in this manual. Do not use corrosive chemicals or vapours in this appliance, it is not designed for industrial or laboratory use.

If the door or door seals are damaged, the product must not be operated until it has been repaired.

Do not operate the device when empty.

Do not attempt to operate the device with the door open since open door operation can result in harmful exposure to microwave energy.

Do not operate this appliance if it has a damaged cord or plug or if it is not operating properly. In case the device does not operate correctly, please contact our Technical Support Service of Cecotec.

Only use utensils that are suitable for microwaves. Make sure utensils do not touch the interior walls during operation.

Do not use the microwave cavity for storage purposes.

Do not attempt to deep-fry in this oven.

In order to reduce fire risk:

Do not overcook food.

Remove wire twist-ties from paper or plastic bags before placing them inside the microwave.

Do not place the device where heat, moisture, or high humidity are generated, or near combustible materials.

Do not heat liquids or other foods in sealed containers.

Do not operate the device without the glass tray, roller support and shaft in their proper positions.

Do not use the cavity for storage purposes. Do not leave paper products, cooking utensils or food in the cavity when not in use. In case of smoke or fire inside the device, keep the door closed, turn the product off and disconnect it from the power supply.

In order to prevent the glass tray from breaking, do not place hot foods, hot utensils, frozen foods or frozen utensils on it.

After operating, the container is likely to be very hot. Use gloves in order to avoid burns and injuries.

All parts of the device will be very hot during and after operation, including door and top part of the microwave. Remember to use gloves or any other type of protection.



Technical service and reparations that involve cover removals or exposure to cables must always be carried out by a competent, professional and qualified person.

Supervise young children to make sure that they do not play with the appliance. It can be used by children over 8 if they are continually supervised.

This appliance is not intended to be used by persons with reduced physical, sensory, or mental capabilities, or lack of experience or knowledge, unless they have been given supervision or instruction concerning the use of the appliance in a safe way by a person responsible for their safety, and

understand the hazards involved.

Supervise young children to make sure that they do not play with the appliance. Close supervision is necessary when the appliance is being used by or near children.

This product is a Group 2 Class B ISM equipment. The definition of Group 2 which contains all ISM (Industrial, Scientific and Medical) equipment in which radio-frequency energy is intentionally generated and/or used in the form of electromagnetic radiation for the treatment of material, and spark erosion equipment. Class B equipment is suitable for domestic use and in establishments directly connected to a low voltage power supply network, which supplies buildings used for domestic purpose.

It is important to use materials and containers which are suitable and safe for cooking in the microwave. The table below shows which materials are suitable and which are not:

Suitable materials for microwave use

Material of the container	Microwave	Grill	Combi
Heat-resistant glass	Yes	Yes	Yes
No heat-resistant glass	No	No	No
Heat-resistant ceramics	Yes	Yes	Yes
Microwave-safe plastic	Yes	No	No
Kitchen paper	Yes	No	No

Metal tray	No	Yes	No
Metal rack	No	Yes	No
Aluminium foil and foil containers	No	Yes	No

The ideal material for a microwave utensil is transparent to microwave. This allows heating food as energy passes through it.

Microwaves cannot penetrate metal, so metal utensils or dishes with metallic trim should not be used.

Do not use recycled paper products when microwave cooking, as they may contain small metal fragments which may cause sparks and/or fires.

Round or oval dishes rather than square or oblong ones are recommended, as food in corners tends to overcook.

Narrow strips of aluminium foil may be used to prevent overcooking of exposed areas. In this case, be careful not to use too much and keep a distance of 2.54 cm between foil and cavity.

1. PARTS AND COMPONENTS

Fig. 1

1. Door safety lock system
2. Oven window
3. Rotating axis
4. Shaft
5. Door release button
6. Control panel
7. Wave guide (do not remove the mica plate protecting the waveguide)
8. Glass tray
9. Grill
10. Metal rack

Control panel

Fig. 2.

1. Display
2. Power level
3. Clock
4. Weight
5. Grill
6. Combi
7. Timer
8. Start/QuickStart
9. Stop/Cancel
10. Menu/Time knob

2. BEFORE USE

Take the product out of the box. If the microwave has a protective film, tear it off before starting operation. Check carefully if there is any damage, and if there is, immediately notify the Technical Support Service of Cecotec.

The product must be placed on a flat, stable and dry place and kept away from corrosive materials, heat and humidity, such as burners or water.

The product must be placed, at least, at 5 m from the TV, Radio or antenna.

The product must be placed in such way that the plug is accessible and must ensure an effective grounding in case of leakage in order to avoid electric shocks.

The microwave door must be closed in order to operate.

In case there is any manufacturing rests in the microwave cavity or on the heating elements, leave the microwave open to ensure good ventilation. In such case, it is recommended to heat a glass of water at high power for several times.

Warning: Do not try to remove the wave guide.

3. OPERATION

Display

The display will show the cooking time, power, mode and time.

Power level

Press the power level button in order to set the desired microwave power level.

Clock

Press the clock button to set the microwave clock.

Weight

Press this button and select the food's weight.

Grill

Press this button to set a grill cooking program.

Combi

Select this function to cook combining microwave and grill.

Timer

Program the microwave for it to start operating automatically at the set time.

Start/QuickStart

Press this button to start a cooking program or to set the QuickStart cooking program.

Stop/Cancel

Press this button to cancel settings or to stop a cooking program.

Menu/Time

Turn the knob to set the cooking time or to select an auto menu.

Using the microwave

During cooking setting mode, if there is no operation within 20 seconds, the microwave will return to standby mode.

During cooking, press Stop/Cancel to pause the device, and press Start/QuickStart to resume or Stop/Cancel again to cancel the program.

After a cooking program has been finished, the device will beep every 2 minutes until the door is opened or any key is pressed.

Setting clock time

The microwave has a 24-hour or 12-hour clock. To check the time while the device is operating, press the Clock button.

Example: Setting microwave clock to 8:30.

In standby mode, press the Clock button once or twice to set the clock in 24-hour or 12-hour cycle.

Turn the Menu/Timer knob to set 8 hours.

Press the Clock button once to confirm the hour setting.

Turn the Menu/Timer knob to set 30 minutes.

Press the Clock button once to confirm the setting.

During operation, press the Clock button once to display the current time for 3 seconds.

Microwave cooking

For microwave cooking, just press the power level button repeatedly to select the desired cooking power level, and then use the Menu/Timer knob to set a desired cooking time. The maximum cooking time is 95 minutes.

Select the desired power level by pressing the power level button.

Press the power level button	Cooking power
Once	100 %
Twice	90 %
3 times	80 %
4 times	70 %
5 times	60 %
6 times	50 %
7 times	40 %
8 times	30 %
9 times	20 %
10 times	10 %
11 times	0 %

Example: Cooking 5 minutes at 60 % microwave power.

Open the door and place the food inside the microwave. Close the door.

Press the power level button repeatedly to set 60 %.

Turn the Menu/Timer knob to select 05:00.

Press the Start/QuickStart button.

Note: Check the power level while cooking is in progress by pressing the power level button.

After the cooking time ends, the device will beep and End will be displayed. Before starting another cooking session, press Stop/Cancel to clear the display and reset the system.

Grill cooking

The maximum cooking time is 95 minutes.

This function is especially useful for cooking thin slices of meat, steaks, chops, sausages or pieces of chicken. It can also be used to heat sandwiches or cook dishes au gratin.

Example: Grilling for 12 minutes.

Open the door and place the food inside the microwave. Close the door.

Press the Grill button.

Turn the Menu/Timer knob to 12:00.

Press the Start/QuickStart button.

Combi

The maximum cooking time is 95 minutes.

Example: Set combination 1 for 25 minutes.

Press the Combi button once or twice to set the desired combination mode.

Turn the Menu/Timer knob to 25:00.

Press the Start/QuickStart button.

Press Combination button	Combination	Cooking time		Use
		Microwave	Grill	
Once	COMBI. 1	30%	70%	Fish, potatoes or au gratin.
Twice	COMBI. 2	55%	45%	Pudding, omelets, baked potatoes and poultry.

Timer function

This function allows scheduling a cooking program to start at an appointed time.

Example: Suppose the present time is 11:10, and you want the microwave to start a cooking program at 11:30.

In standby mode, set the desired cooking program.

Press Timer button once.

Turn the Menu/Timer knob to set 11:00 (hours).

Press the Timer button once.

Turn the Menu/Timer knob to set 11:30 (30 minutes).

Press Start/QuickStart once.

Press the Timer button to check the preset time. It will be displayed for 5 seconds. During these 5 seconds, press the Stop/Cancel button to cancel the timer.

Note: The QuickStart function and the defrost function cannot be programmed.

QuickStart

When this program is selected, the device will quickly cook food at top power (100 % power output). The maximum cooking time for this program is 10 minutes.

Open the door and place the food inside the microwave. Close the door.

Press the QuickStart button repeatedly to set the desired cooking time. The device will start operating automatically.

Press it a number of times to set the cooking time and it will start cooking immediately at full power level.

Preset cooking programs

These programs have cooking power levels and times set by default. When these programs are used, only the food type and weight have to be set.

Open the door and place the food inside the microwave. Close the door.

In standby mode, turn the Menu/Timer knob anticlockwise to select food code to specify the food to be cooked.

Press the Weight button repeatedly to set the desired weight or number of servings.

Press the Start/QuickStart button.

Preset cooking menus:

Code	Food	Cooking mode
01	Milk/coffee (200 ml/cup)	Microwave
02	Rice (g)	Microwave
03	Spaghetti (g)	Microwave
04	Potato (each 230 g)	Microwave
05	Auto reheat (g)	Microwave
06	Fish (g)	Microwave
07	Chicken (g)	Microwave + grill
08	Beef/Mutton (g)	Microwave + grill
09	Skewered meat (g)	Microwave + grill

Notes :

The user is required to set weight and then the device will set the time automatically.

For milk/coffee and potato, parameters on display are not weight but number of servings.

For chicken, beef/mutton and skewered meat, the device pauses and beeps during cooking to remind you to turn food over for uniform cooking.

Auto defrost

The device allows to defrost food based on the weight entered. The defrosting time and power

level are automatically set once the food category and the weight are programmed. Frozen food weight ranges from 100 g to 1800 g.

Example: Defrosting 600 g of shrimp.

Open the door and place the food inside the microwave. Close the door.

In standby mode, turn the Menu/Timer knob anticlockwise to select "10".

Press the weight button to select the weight of food to be defrosted: 600 g.

Press the Start/QuickStart button.

Note: The device stops during defrosting to let the user turn food over for even defrosting. Turn food over and press the Start/QuickStart button.

Multi-sequence cooking

A maximum of 2 sequences can be set for a cooking process. If one of the sequences included is defrosting, it should be set as the first one.

Note: Quick Start, Auto defrost and Auto menu cannot be set as one of the multi-sequences.

Example: Microwave cooking and then grill cooking.

Open the door and place the food inside the microwave. Close the door.

Press Stop/Cancel to reset the system.

Enter the microwave cooking program.

Enter the grill cooking program.

Press Start/QuickStart to start cooking.

The respective light indicators will turn on to indicate which stage the oven is operating in.

After the total time has elapsed, beeps will sound.

Child lock

This function is designed to prevent little children from operating the device. The child lock indicator will light up on the display screen, and the oven will be locked.

When the device is not operated for 1 minute with the door open and in in standby mode, this function will be automatically activated. All buttons will be inactive. The lock light indicator will turn on.

To deactivate the function, open or close the door. The lock light indicator will turn off.

4. TIPS

Food arrangement: Place the thickest food parts towards the edge of the glass tray. If possible, do not overlap food.

Watch cooking time: Cook for the shortest amount of time at first and add more minutes in case it is necessary. Over-cooking may result in smoke and burns.

Cover food while cooking: Covering the food you are going to cook avoids spattering and allows a more even cooking.

Flip or stir food once during the cooking process.

Respect pre-heating time: Pre-heating time specified on the food's label must not be exceeded. Eggs in their shell and whole hard-boiled eggs should not be heated in microwave ovens since they may explode even after microwave heating has ended.

Pierce foods with heavy skins such as potatoes, whole squashes, apples and chestnuts before cooking.

5. CLEANING AND MAINTENANCE

The device, as well as food rests, must be cleaned and removed regularly.

Unplug the cable from the power supply before starting the cleaning. Do not immerse the product in water or any other fluid during cleaning.

The lack of maintenance and cleaning of the product may cause a deterioration on its surface and affect its lifespan. Keep the inside of the oven clean.

When food splatters or spilled liquids adhere to oven walls, wipe with a damp cloth.

Do not use strong detergents, powder abrasives or metal brushes to clean the device.

Do not allow the control panel to become wet.

Do not remove the waveguide.

If steam accumulates inside or around the outside of the oven door, wipe with a soft cloth. This may occur when the microwave oven is operated under high humidity condition.

The roller ring and oven floor should be cleaned regularly to avoid excessive noise. Simply wipe the bottom surface of the oven with mild detergent.

Use a dampened soft cloth to clean enclosures, door, interior walls and the glass tray.

When the microwave has been used for a long time, some strong odours may arise from inside.

In order to get rid of them, follow one of the steps below:

Place several lemon slices in a cup and heat them at high power for 2 or 3 minutes.

Place a cup of red tea inside the microwaves and heat it at high power for 2 or 3 minutes.

Place orange peels inside the microwaves and heat it at high power for 1 minute.

6. TECHNICAL SPECIFICATIONS

01387_GrandHeat 2350 Built-In Black

01388_GrandHeat 2350 Built-In White

01389_GrandHeat 2350 Built-In Steel Black

Rated Input Power: 1400 (Microwave); 1000 (Grill)

Rated Voltage: 230-240 V~

Rated Frequency: 50 Hz

Output (microwave): 900 W, 2450 MHz

Capacity: 23L

Made in China | Designed in Spain

7. DISPOSAL OF OLD ELECTRICAL APPLIANCES



The European directive 2012/19/EU on Waste Electrical and Electronic Equipment (WEEE), specifies that old household electrical appliances must not be disposed of with the normal unsorted municipal waste. Old appliances must be collected separately, in order to optimise the recovery and recycling of the materials they contain and reduce the impact on human health and the environment.

The crossed out "wheeled bin" symbol on the product reminds you of your obligation to dispose of the appliance correctly.

Consumers must contact their local authorities or retailer for information concerning the correct disposal of old appliances and/or their batteries.

8. TECHNICAL SUPPORT AND WARRANTY

This product is under warranty for 2 years from the date of purchase, as long as the proof of purchase is submitted, the product is in perfect physical condition, and it has been given proper use, as explained in this instruction manual.

The warranty will not cover the following situations:

The product has been used for purposes other than those intended for it, misused, beaten, exposed to moisture, immersed in liquid or corrosive substances, as well as any other fault attributable to the customer.

The product has been disassembled, modified, or repaired by persons, not authorised by the official Technical Support Service of Cecotec.

Faults deriving from the normal wear and tear of its parts, due to use.

The warranty service covers every manufacturing defects of your appliance for 2 years, based on current legislation, except consumable parts. In the event of misuse, the warranty will not apply.

If at any moment you detect any problem with your product or have any doubt, do not hesitate to contact Cecotec Technical Support Service at +34 963 210 728.

GRANDHEAT 2350 BUILT-IN BLACK / WHITE / STEEL BLACK

Microondas encastrables / Built-in microwave



Manual de instalación
Installation manual
Manuel d'installation
Einbauanleitung
Manuale di installazione
Manual de instalação
Instrukcje instalacyjne
Instalační manuál

ENGLISH

BUILT-IN MICROWAVE

Fig. 1.

1. Cabinet
2. Microwave
3. Frame
4. Upper exhaust guide

- A. Screw 3x25 mm
- B. Screw 4x8 mm
- C. Screw 4x10 mm

Fig. 2.

Screw the 4 microwave support feet onto the bottom of the device.
Assemble the decorative ring to the feet on the bottom part of the device.

Fig. 3.

1. Space for ventilation
- Make sure the cabinet has the right dimensions.

Fig. 4.

Fasten the upper exhaust guide with 4 screws.
Note the opening at the back.

Fig. 5.

Fix the frame with 4 screws.

Fig. 6.

Introduce the microwave in the cabinet.

Fig. 7.

Make sure the microwave is placed in the middle of the cabinet.

Fig. 8.

Fix the microwave in the cabinet with 4 screws.

Fig. 9.

The microwaves is completely installed.

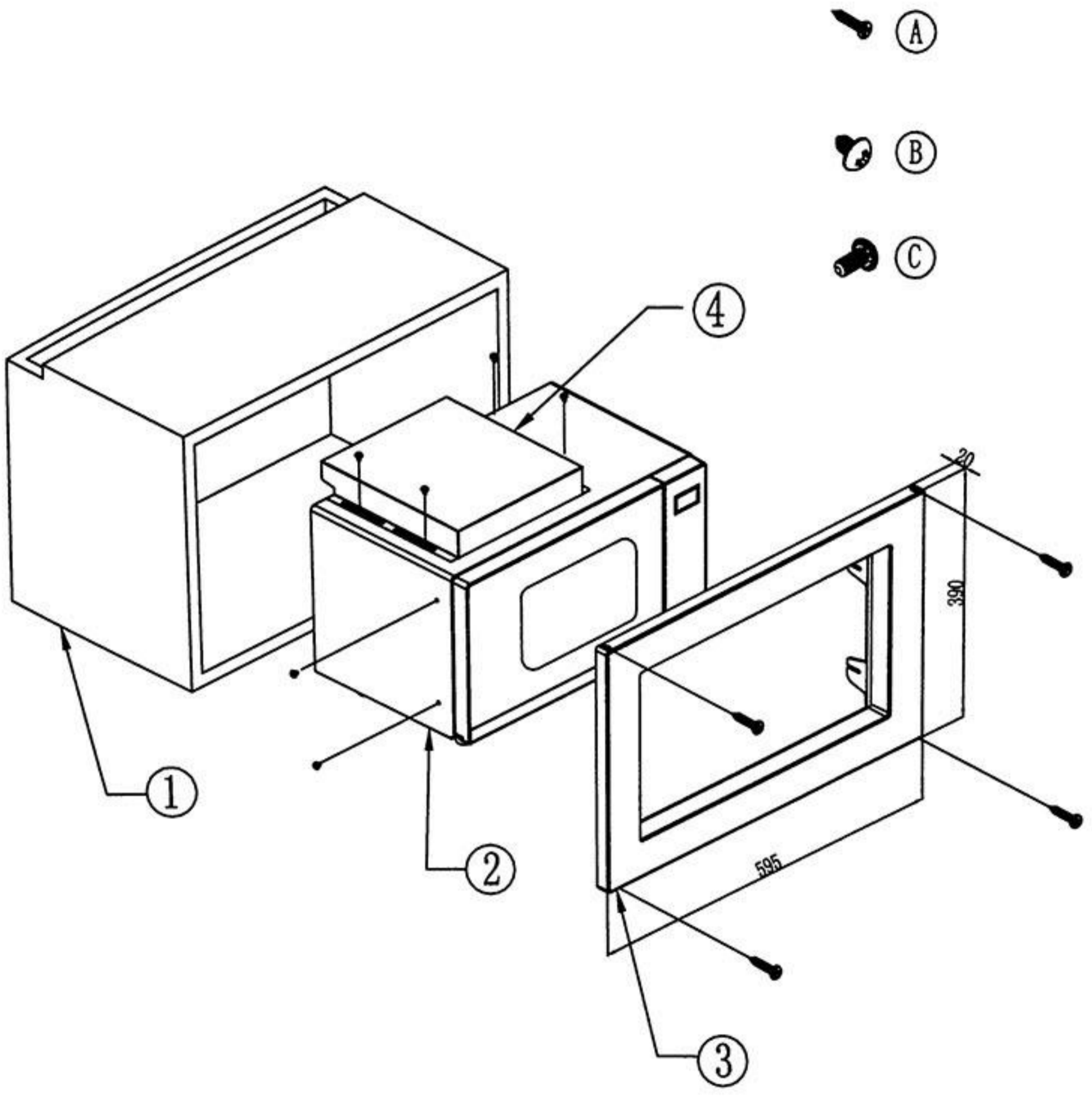


Fig.1

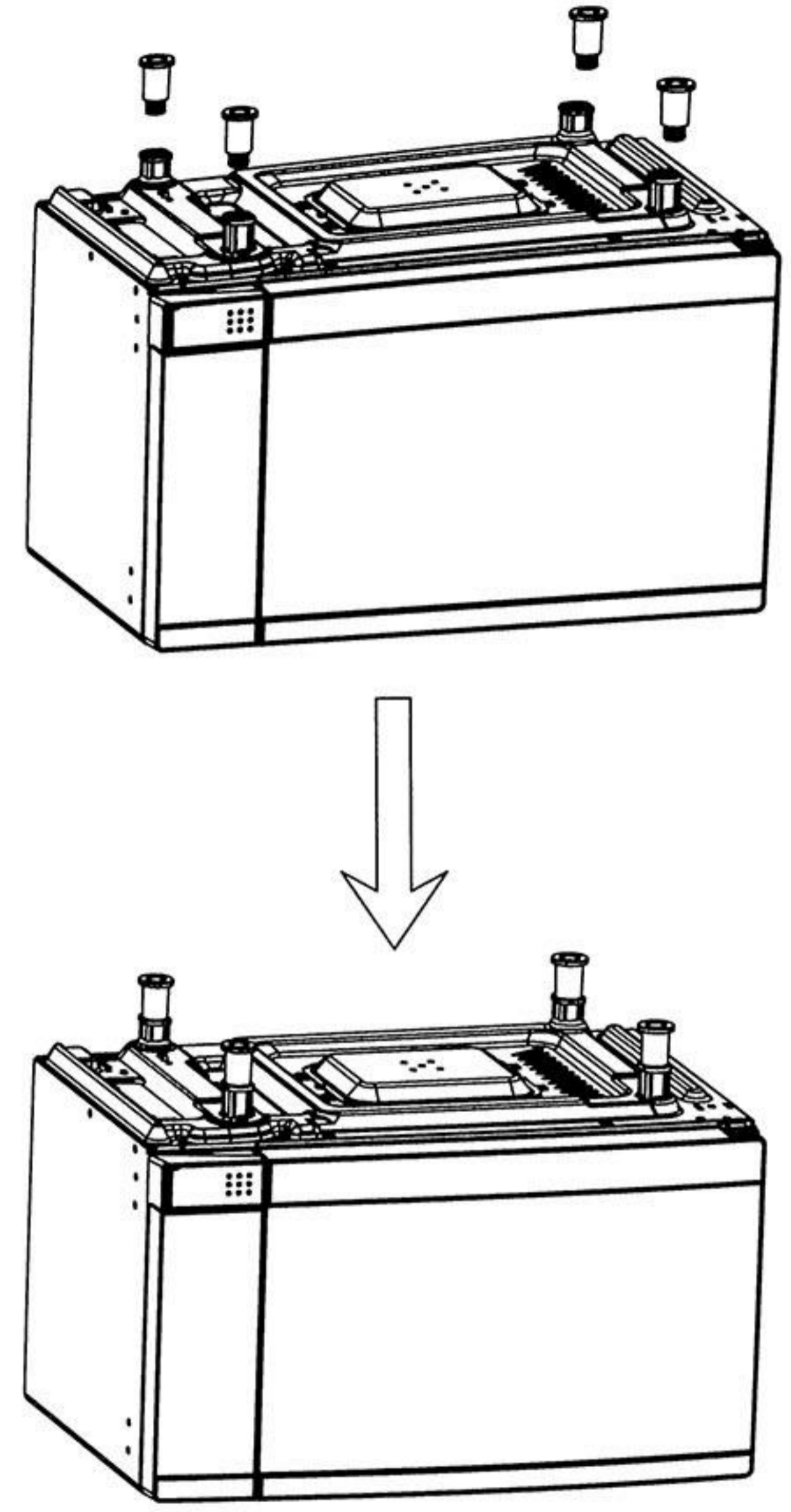


Fig.2

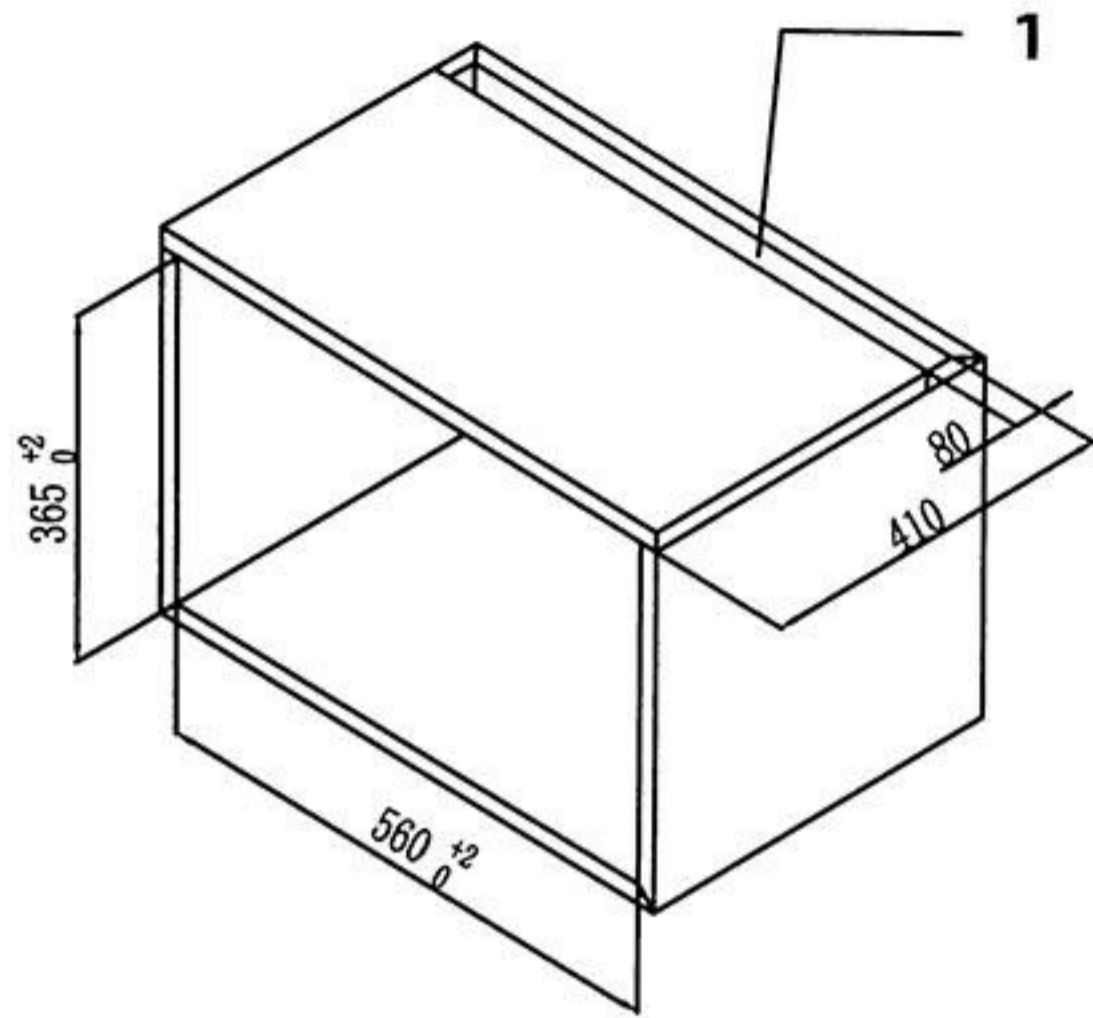


Fig.3

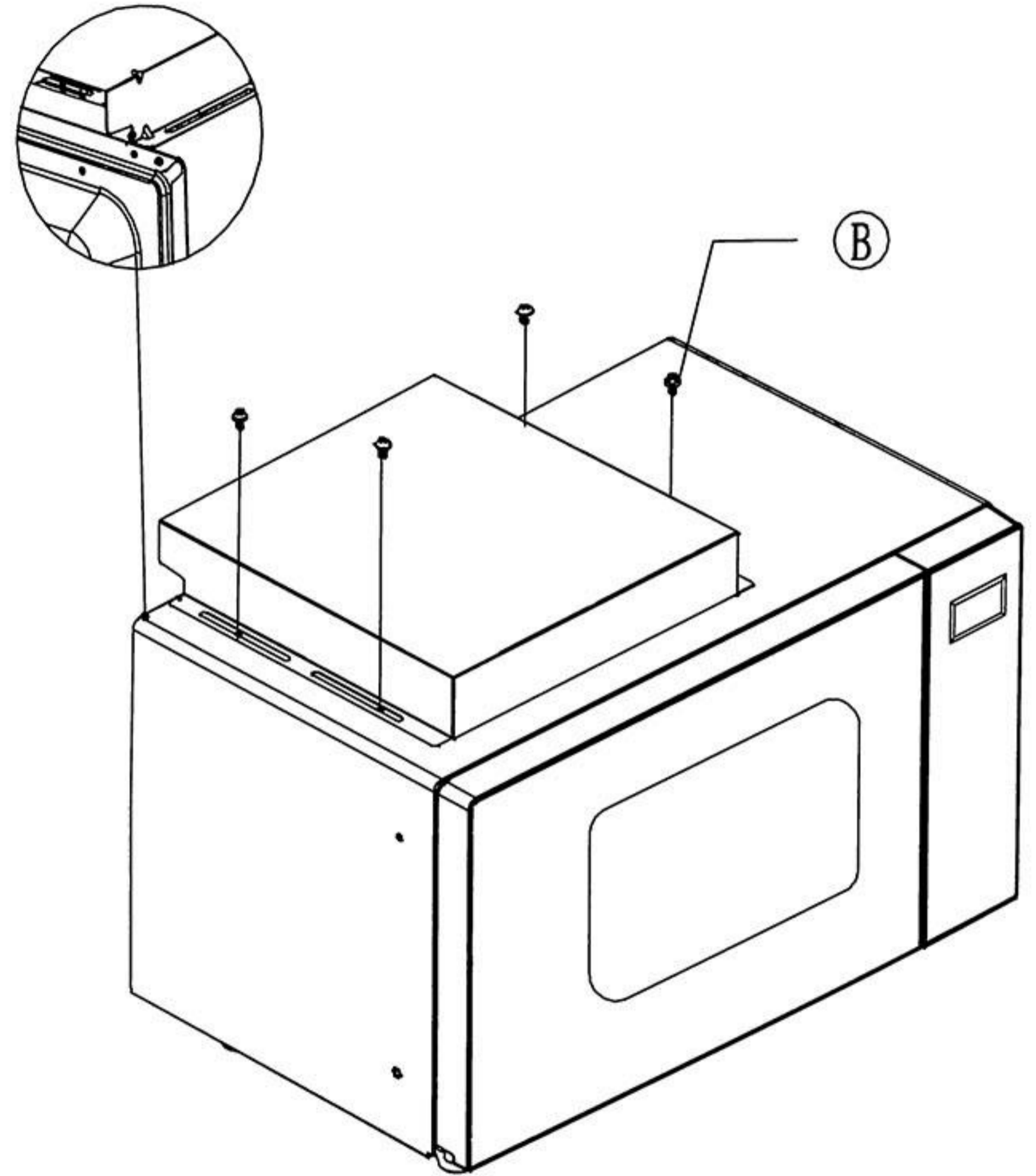
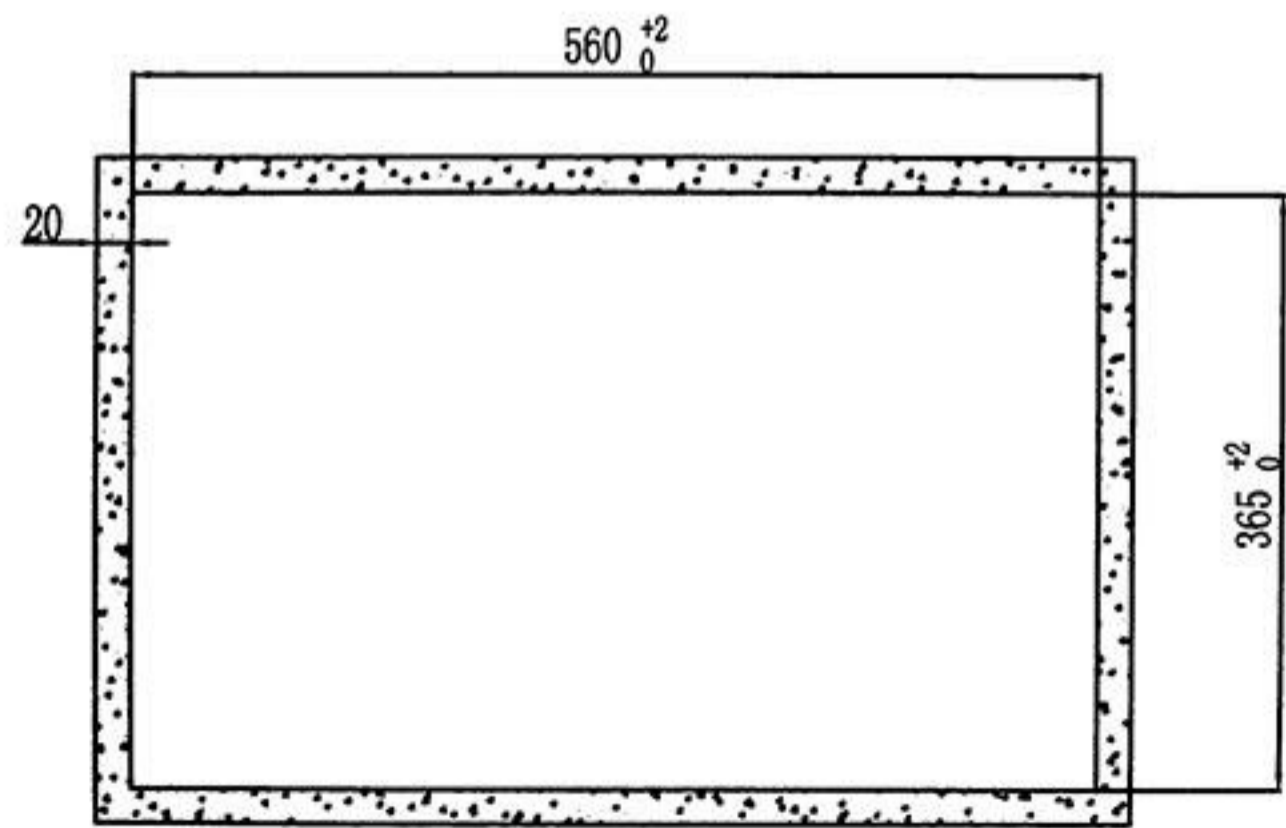


Fig.4

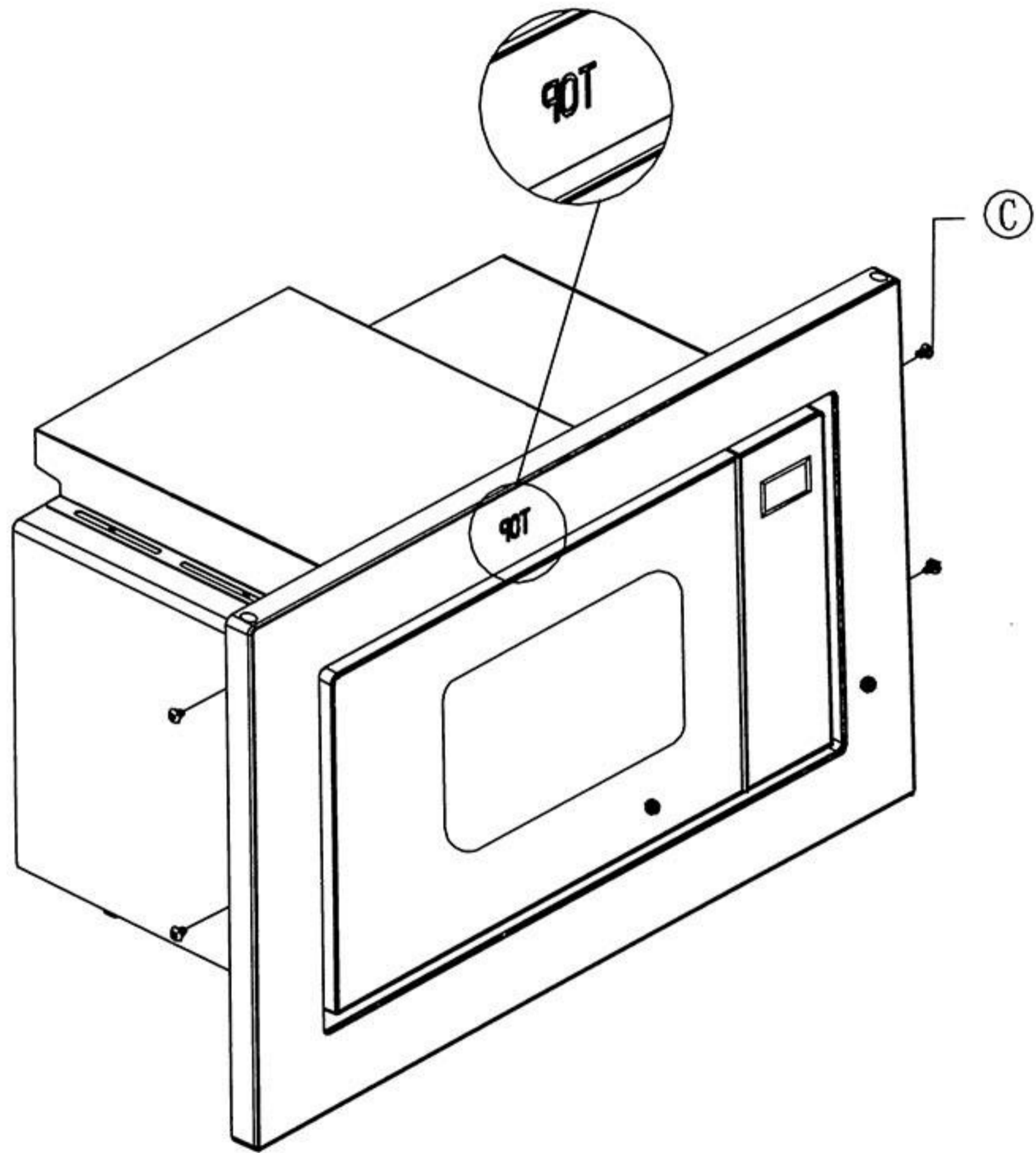


Fig.5

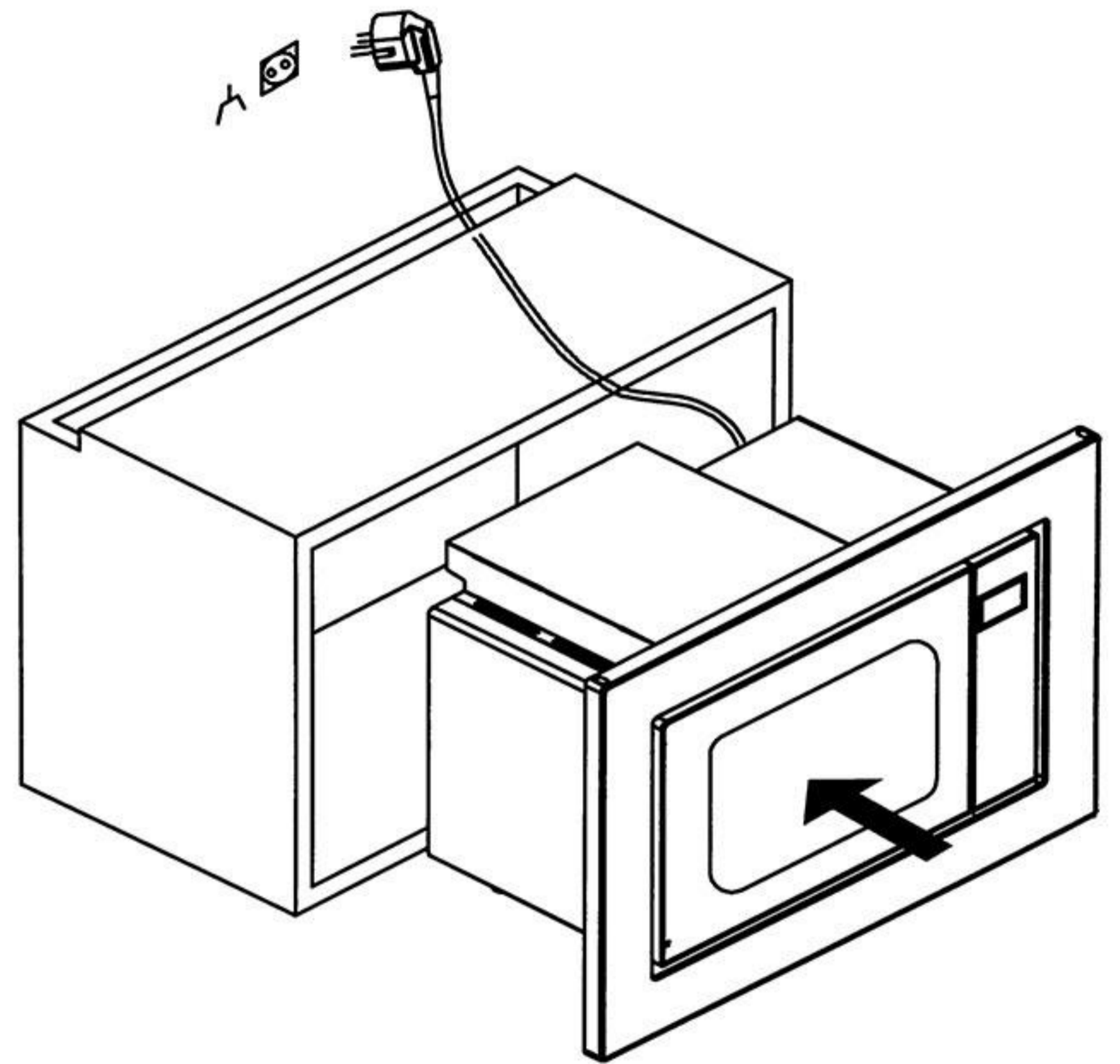


Fig.6

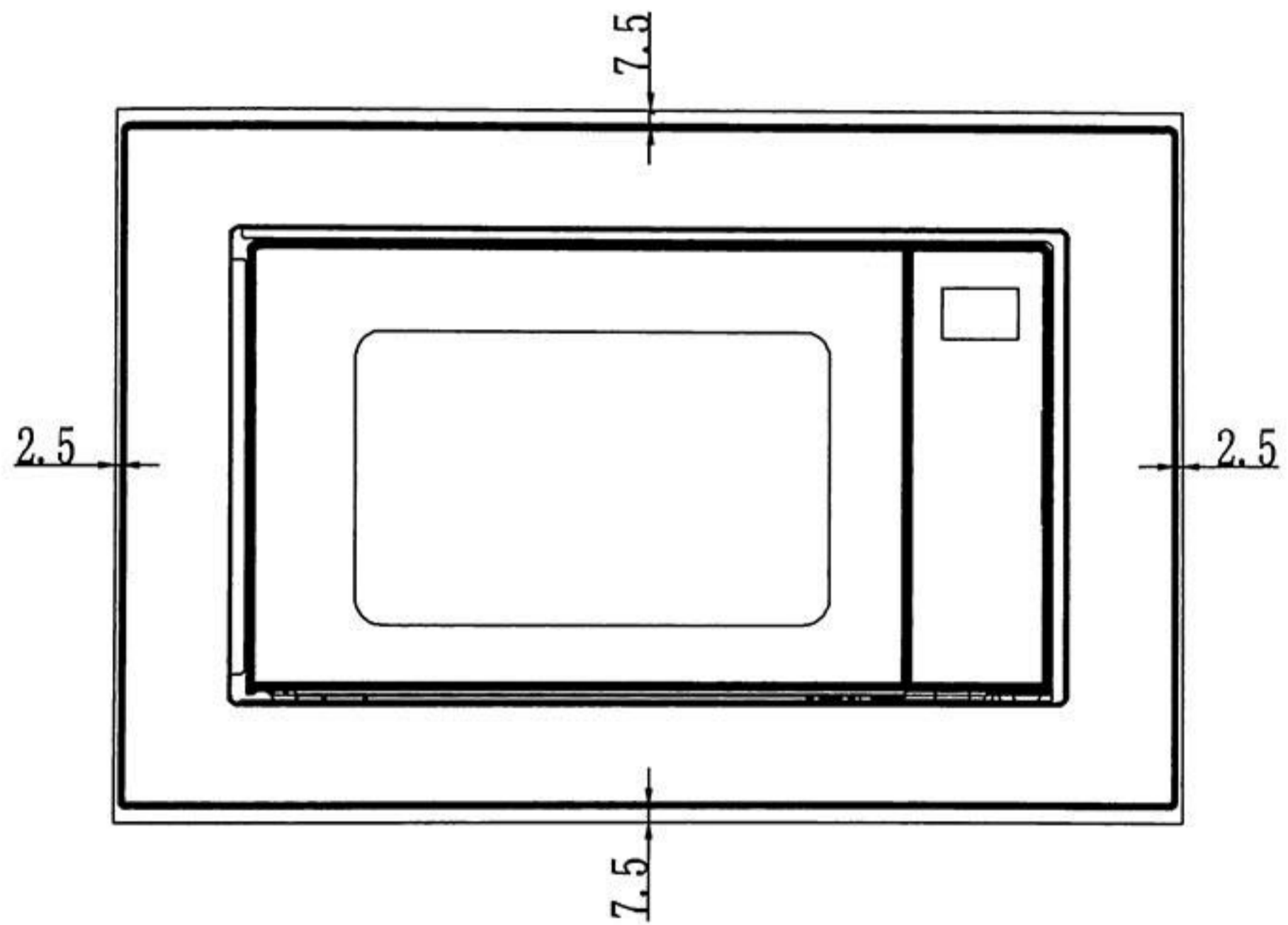


Fig.7

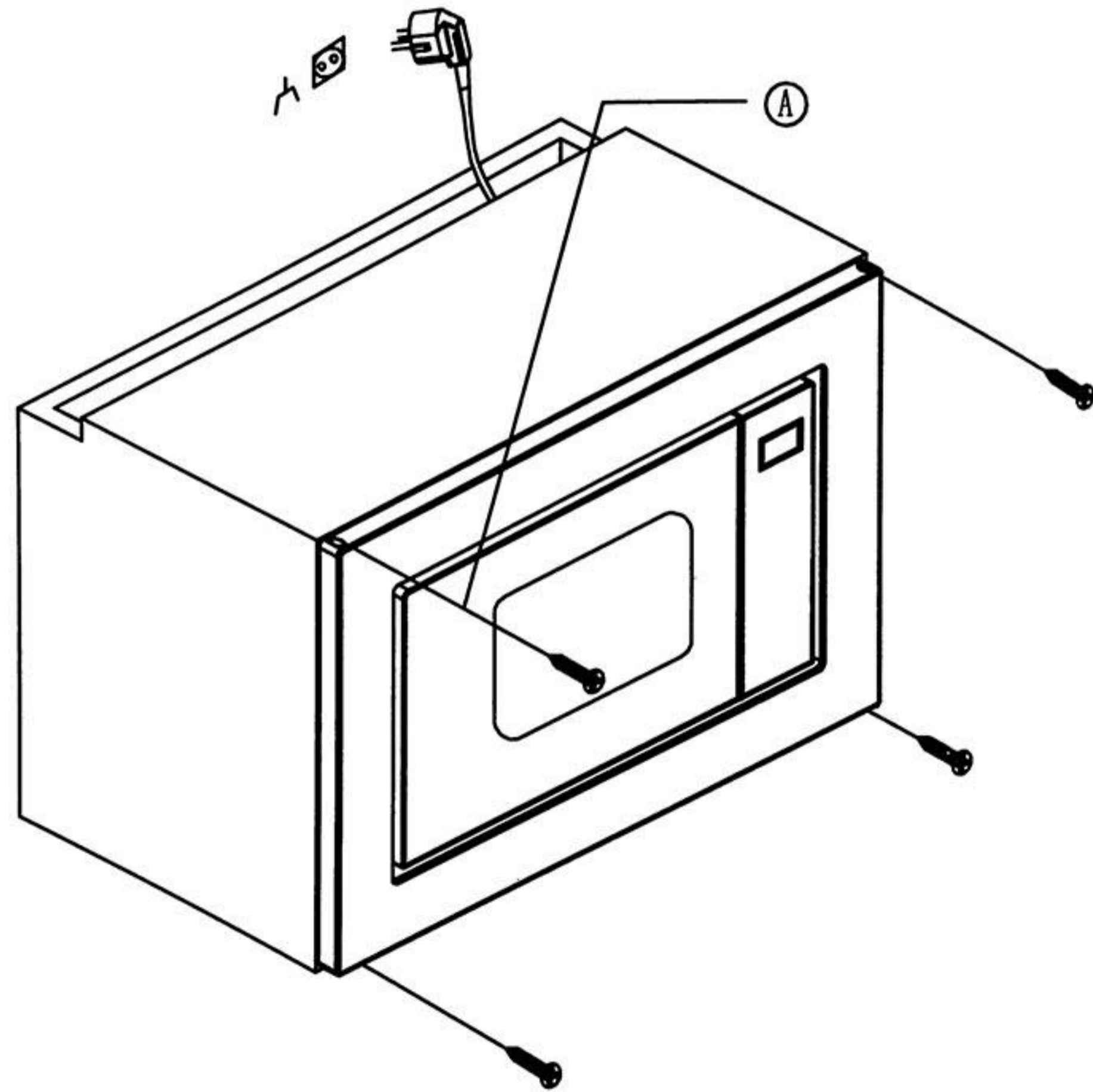


Fig.8

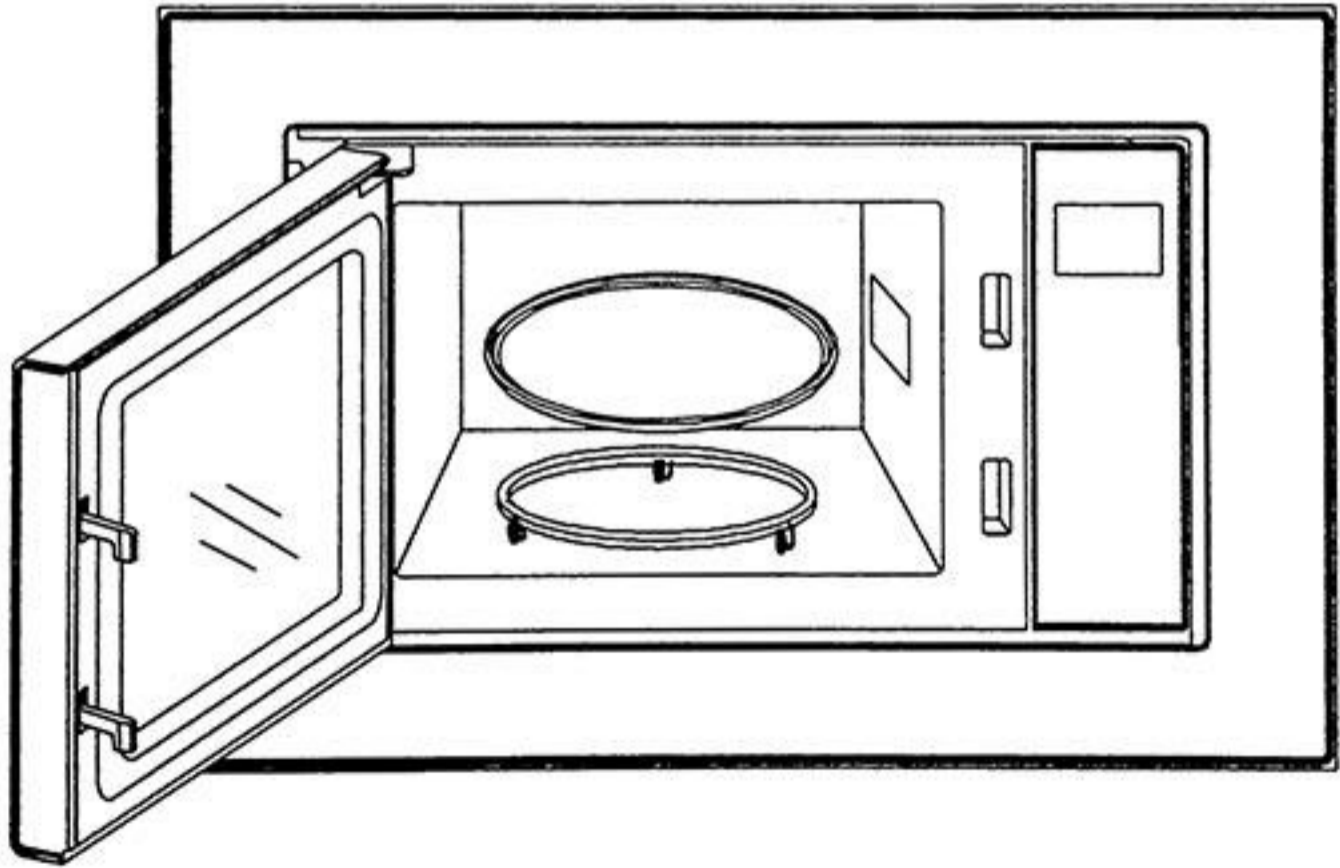
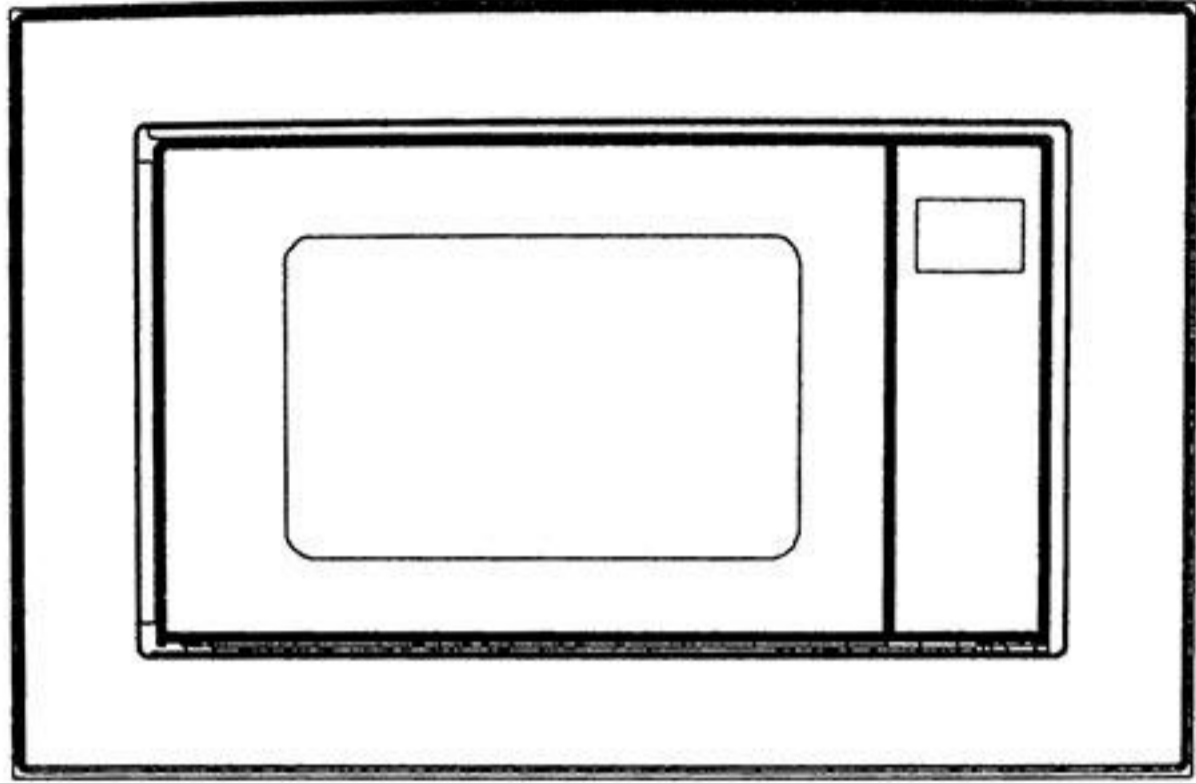


Fig. 9