

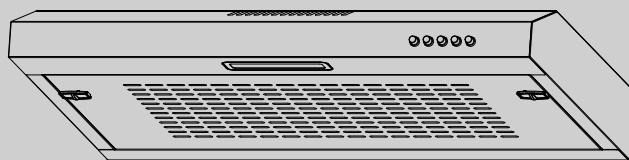
COOKER HOOD

INSTRUCTION MANUAL

Read this manual carefully before operation


Pictures in this manual are for reference only, the product in kind prevail.

60F17



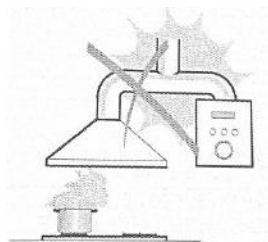
 Midea

RECOMMENDATIONS AND SUGGESTIONS

 The instructions for Use apply to several versions of this appliance. Accordingly, you may find descriptions of individual features that do not apply to your specific appliance.

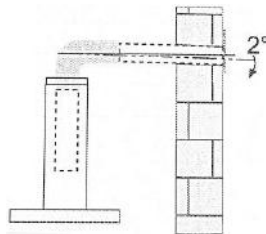
INSTALLATION

- The manufacturer will not be held liable for any damages resulting from incorrect or improper installation.
- The minimum safety distance between the cooker top and the extractor hood is 650 mm (some models can be installed at a lower height, please refer to the paragraphs on working dimensions and installation).
- Check that the mains voltage corresponds to that indicated on the rating plate fixed to the inside of the hood.
- For Class I appliances, check that the domestic power supply guarantees adequate earthing.
- Connect the extractor to the exhaust flue through a pipe of minimum diameter 120mm. The route of the flue must be as short as possible.
- Do not connect the extractor hood to exhaust ducts carrying combustion flumes (boilers, fireplaces, etc.).
- If the extractor is used in conjunction with non-electrical appliances (e.g. gas burning appliances), a sufficient degree of aeration must be guaranteed in the room in order to prevent the backflow of exhaust gas. The kitchen must have an opening communicating directly with the open air in order to guarantee the entry of clean air. When the cooker hood is used in conjunction with appliances supplied with energy other than electric, the negative pressure in the room must not exceed 0,04 mbar to prevent fumes being drawn back into the room by the cooker hood.
- In the event of damage to the power cable, it must be replaced by the manufacturer or by the technical service department, in order to prevent any risks.
- If the instructions for installation for the gas hob specify a greater distance specified above, this has to be taken into account. Regulations concerning the discharge of air have to be fulfilled.




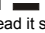
USE

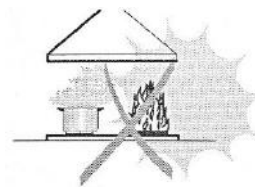
- The extractor hood has been designed exclusively for domestic use to eliminate kitchen smells.
- Never use the hood for purposes other than for which it has been designed.
- Never leave high naked flames under the hood when it is in operation.
- Adjust the flame intensity to direct it onto the bottom of the pan only, making sure that it does not engulf the sides.
- Deep fat fryers must be continuously monitored during use: overheated oil can burst into flames.
- Do not flame under the range hood; risk of fire.
- This appliance can be used by children aged 8 years and above and persons with reduced physical, sensory or mental capabilities or lack of experience and knowledge if they have been given supervision or instruction concerning use of the appliance in a safe way and understand the hazards involved.
- Children should be supervised to ensure that they do not play with the appliance.
- Cleaning and user maintenance shall not be made by children without supervision.
- "CAUTION: Accessible parts may become hot when used with cooking appliances".



MAINTENANCE

- Switch off or unplug the appliance from the mains supply before carrying out any maintenance work.
- Clean and/or replace the Filters after the specified lime period (Fire hazard).
- Clean the hood using a damp cloth and a neutral liquid detergent.
- The appliance uses 4 hob elements at most.

 The symbol  is packaging indicates that this product may not be treated as household waste. Instead it shall be handed over to the applicable collection point for the recycling of electrical and electronic equipment. By ensuring this product is disposed of correctly, you will help prevent potential negative consequences for the environment and human health, which could otherwise be caused by inappropriate waste handling of this product. For more detailed information about recycling of this product, please contact your local city office, your household waste disposal service or the shop where you purchased the product.



MAIN PARAMETERS

Rated Voltage and Frequency

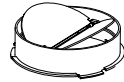
220-240V~50Hz Motor Input Power:100W

In certain circumstances electrical appliance may be a danger hazard.

COMPONENTS

Ref.	Qty.	Product Components
1	1	Main Body
2	1	Venting Knob
3	1	Filter Assembly

Ref.	Qty.	Installation Components
4	1	Check Valve
5	4	Screws 5mm x 49mm
6	4	Plastic Wall Plugs



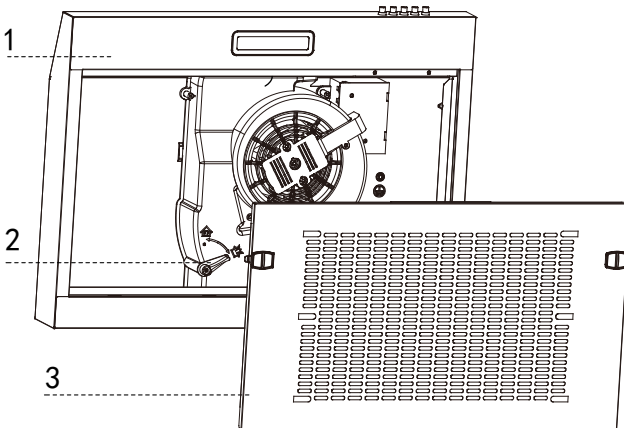
4



5

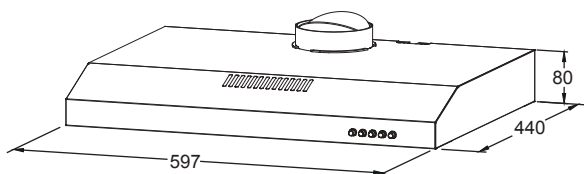
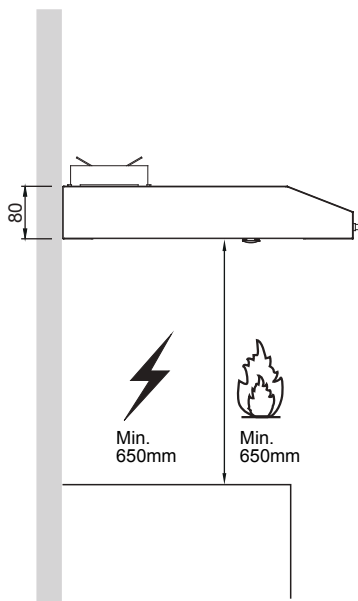
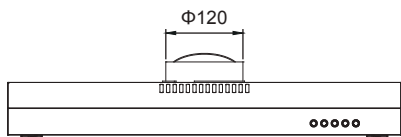
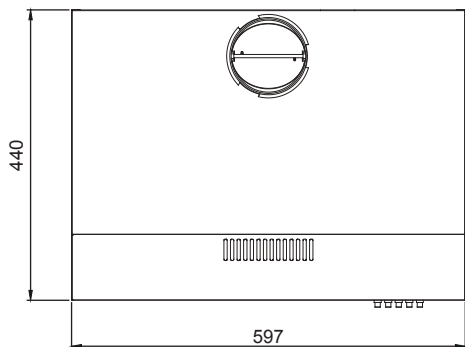


6



DIMENSIONS

unit: mm

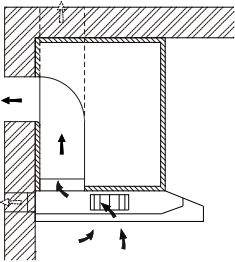


INSTALLATION

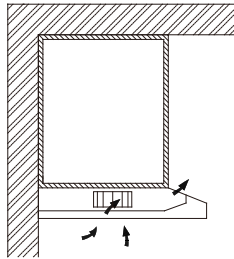
WALL DRILLING AND BRACKET FIXING

- Please read the instructions carefully.
- Unpack the canopy and check that all functions are working. Ensure that the voltage (V) and the frequency (Hz) indicated on the serial plate match the voltage and frequency at the installation site.
- Check that the area behind the installation surface to be drilled is clear of any electrical cables or pipes, etc.
- The stainless steel and glass surfaces of the canopy are very easily damaged during installation if grazed or knocked by tools. Please take care to protect the surfaces during installation.
- Protect the cooktop surface below with cardboard, or the like, to prevent damage occurring whilst the wall canopy is being installed above.
- The manufacturer shall not be liable for failure to observe all safety regulations in force for the correct and normal operation of electrical parts.

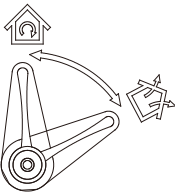
Choose a venting mode:





Exaction-air mode



Recirculation mode

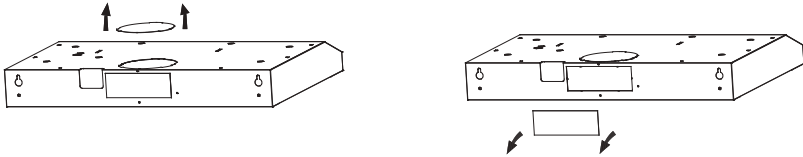


Venting knob position

	Extraction-air mode: Turn the venting knob here means venting outside
	Circulating-air mode: Turn the venting knob here means recirculation

Information

- Sufficient air is needed for proper combustion and exhaustion of gases through the flue (chimney) of fuel burning equipment to prevent back drafting. Ductless fans must always be vented to the outdoors.
- When assessing the air pressure, the entire ventilation system in the house/apartment must be taken into account, e.g. hob and/or gas cooker, this rule does not apply.
- Government regulations must be observed for the conveyance of exhaust air. If the extractor hood is used in circulating air mode with activated carbon filter, there are no operating restrictions.
- If you choose extraction-air mode, there are two methods for ventilation, including 'horizontal ventilation' and 'vertical ventilation'. Please use tool take out the cover before using and install check valve on the hole.
- The square air check valve for horizontal ventilation is not supplied.



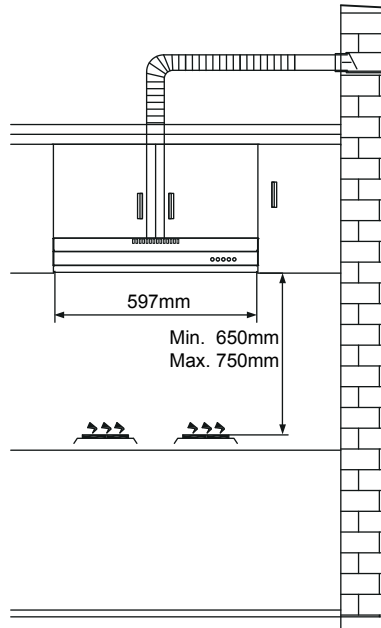
Prepare the installation:

Ensure the power has been turned off before beginning this installation. Plug must be assembled in places easy to drag and insert.

To install this hood you will require two assistants. You will need following tools and material to complete this installation.

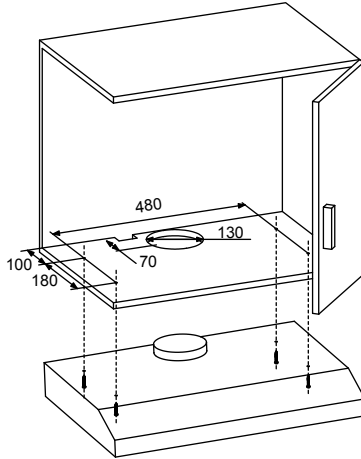
Tools you will need:

- Drill appropriate to your wall
 - Phillips Screwdriver
 - Tape Measure
 - Hand Saw or Jig Saw
-
- Installation work and electrical wiring must be done by qualified person(s) in accordance with all applicable codes and standards, including fire rated construction.
 - Do not discharge the exhaust air into a flue from other appliances burning gas or other fuels.
 - Regulations concerning the discharge of air have to be fulfilled.
 - The cooker hood must be placed at a minimum distance of 65cm above the cooking surface of a hob.
 - The cooker hood must be placed at a maximum distance of 75cm above the cooking surface of a hob.



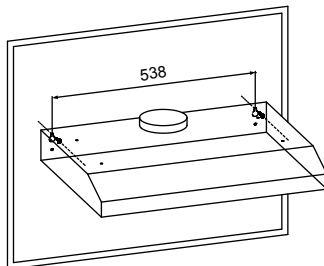
CUPBOARD MOUNTING INSTALLATION

- Drill a 130mm diameter and four 3.5mm diameter hole as below picture.
- **ATTENTION:** If your cooker hood works at circulating-air mode, it is not necessary to drill 130mm diameter hole.
- Use the 4 screws to fix the cooker hood to a kitchen cupboard .Check that your fixings are correctly located, by temporarily fitting the cooker hood. If correct, fit the unit into position. Tighten the screws if necessary.



WALL MOUNTING INSTALLATION

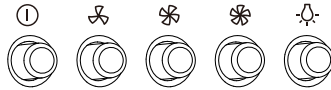
- To mount on the wall, drill two 10mm diameter holes 538mm with the vent hole on the top of the cooker hood in the middle as below picture. Make sure the hood is aligned directly over the hob.
- Insert two plastic wall plugs (supplied) into the holes.
- Insert two screws into the upper two plastic wall plugs and tighten them leaving 3mm protruding from the wall.
- Mount the cooker hood onto the two screws and mark the bottom two screw positions.
- Remove the hood and drill the bottom two screw holes and insert the plastic wall plugs.
- Mount the hood on the top screws, insert the bottom screws and fully tighten all the screws.








Information

The air must not be discharged into a flue that is used for exhausting fumes from appliances burning gas or other fuels.

OPERATION

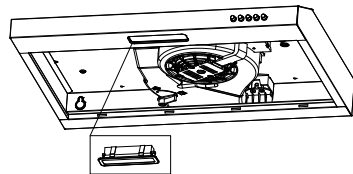
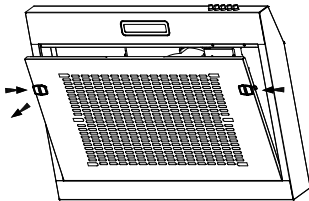



	OFF MOTOR SWITCH: Press on this switch to stop the motor operation.
	SPEED SWITCH: Press on this switch, the motor runs at LOW speed.
	SPEED SWITCH: Press on this switch, the motor runs at MEDIUM speed.
	SPEED SWITCH: Press on this switch, the motor runs at HIGH speed.
	ON/OFF LIGHTING SWITCH: Press on this switch to turn on the lights, and press again to turn them off.

LIGHTING

LIGHT REPLACEMENT

- Switch off the extractor hood and isolate the extractor hood by pulling out the mains plug or switching off the fuse.
- Remove the grease filter.
- Remove the light by levering its fitting from the hood body (this may require pressure or force to be applied).
- Disconnect the connector of the light.
- Replace the light with a new one of the same type, making sure that you connect the light with the light cable correctly.
- Reconnect the power by inserting the mains plug or by switching on the fuse.



	Max power	Voltage	Picture	Lamp Cap	ILCOS D code
Self-ballasted LED modules	1.5W	220V-240V/ 110V-127V	 Square/Diameter:33.2mmx120mm	/	DBS-1.5- H-33.2/120

Information

Clean ventilation fans frequently. Grease should not be allowed to accumulate on fan or filter.

CLEANING AND MAINTENANCE

Disconnect range hood from power supply before cleaning or servicing.

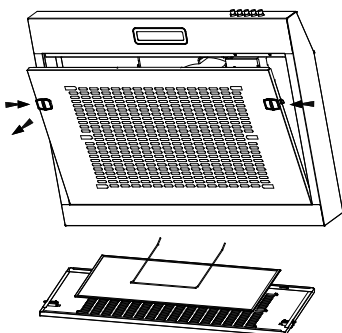
- Cleaning the surface of hood frequently. Use mild soap or detergent to clean the hood.
- Do not use harsh alkalis or abrasives.
- Avoid the use of scouring powers or dishwasher compounds.
- Grease filter may be washed using mild soap or detergent. (Heavy grease build-up may not be cleaned easily and the filter may require replacement).
- Charcoal filter cannot be cleaned and must be replaced regularly.

Information

Cleaning water must not inter into motor, control switch etc. electrical parts.

It is recommendable to clean the metallic filter every three months by carrying out the following instruction:

- Remove the metallic filter from the cooker hood and wash it in asolution of water and neutral liquid detergent, leaving to soak.
- Rinse thoroughly with warm water and leave to dry.
- The metallic filter may alter in color after several washes. This is notcause for customer complaint or replacement of metallic filter.

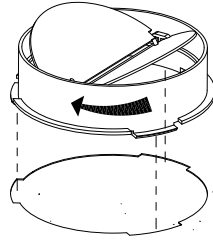


Information

There is a fire risk if cleaning is not carried out in accordance with the instructions.

CHECK VALVE INSTALLATION

Hold on check valve with your hands, align the box gap, put in the check valve, and then spin to a certain angle until three angles of the valve are stuck. Installation is complete.

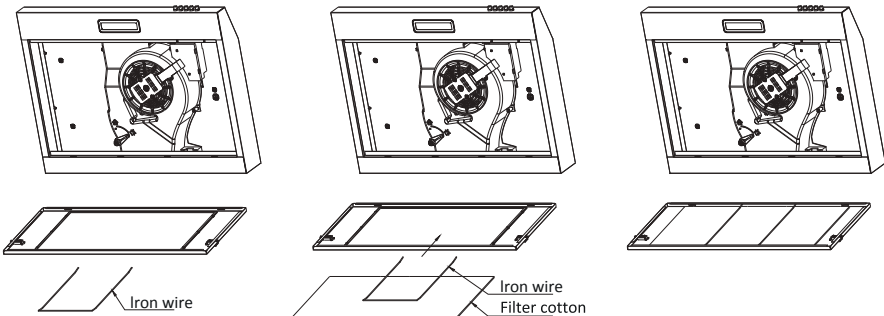


INSTALLING THE CARBON FILTER

- Remove the grease filter, and remove the iron wire.
- The filter cotton is located on the metal mesh and fixed by one iron wire
- Replace a new filter cotton, apply reverse procedure for reinstallation

Warning: the filter cotton cannot be washed or recycled. It should be replaced after approximately 2-3 months of use.

Remark: Filter cotton is not supplied with your appliance.



TROUBLE SHOOTING

Fault	Cause	Solution
Light on, but motor does not work	The blades are blocked.	
	The capacitor is damaged.	Replace capacitor.
	The motor is damaged.	Replace motor.
	The internal wiring of motor is cut off/disconnected. An unpleasant smell may be produced.	Replace motor.
Both light and motor do not work	Apart from the above mentioned, check the following:	
	Light damaged.	Replace lights.
	Power cord loose.	Connect the wires as per the electric diagram.
Oil leakage	Outlet and the air ventilation entrance are not tightly sealed.	Take down the outlet and seal with glue.
	Leakage from the connection of U-shaped section and cover.	Take U-shaped section down and seal with soap or paint.
Vibration	The blade, if damaged, can cause vibrating.	Replace the blade.
	The motor is not tightly fastened.	Fasten the motor tightly.
	The cooker hood is not tightly fixed.	Fixed the cooker hood tightly.
Insufficient suction	The distance between the cooker hood and the cooker top is too large.	Readjust the distance.
	Too much ventilation from open doors or windows.	Choose a new place to install the appliance or close some doors / windows.
The machine inclines	The fixing screws are not tight enough.	Tighten the fixing screw and make it horizontal.
	The hanging screws are not tight enough	Tighten the hanging screw and make it horizontal.

DISPOSAL



Please dispose of it at your local community waste collection / recycling center and ensure it presents no danger to children while being stored for disposal. The plug must be rendered useless and the cable cut off to prevent misuse.

The manufacturer shall decline all responsibility if the foregoing recommendations and instruction regarding installation, maintenance and use are not observed and respected when using the cooker hood.