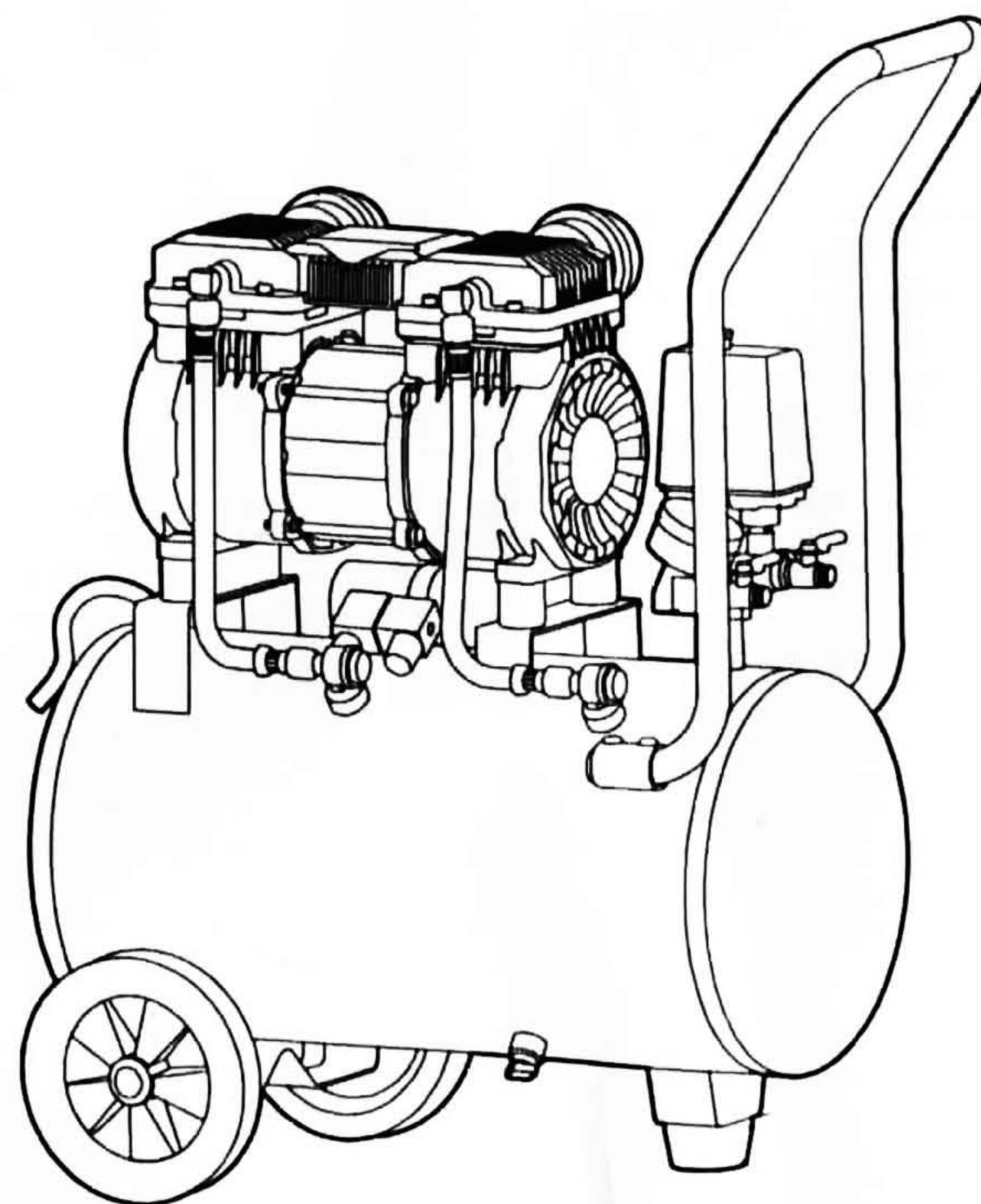


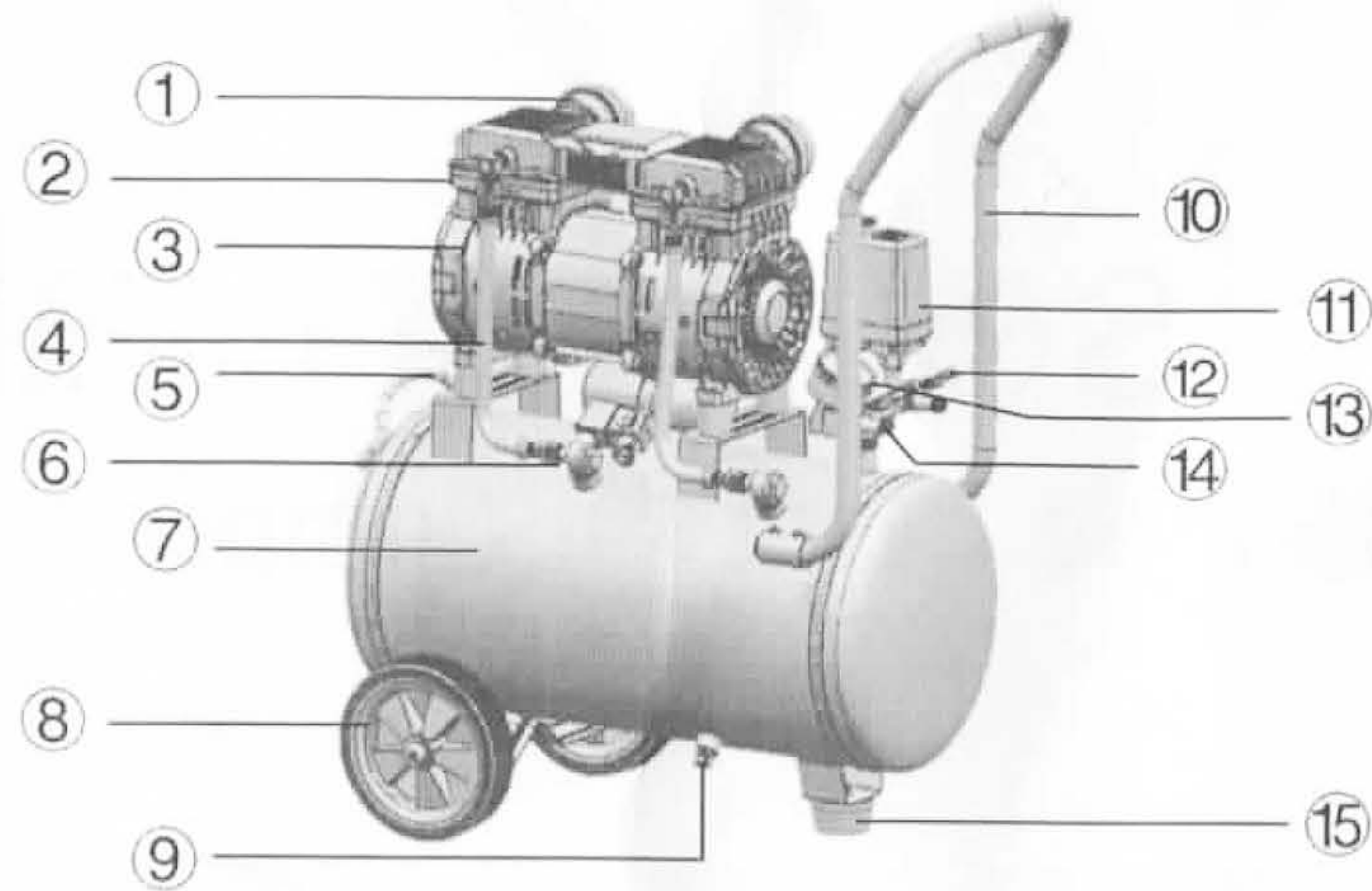


User Manual

Oil-Free Quiet Air Compressor



Air Compressor Diagram



Number	Name	Number	Name
①	Muffler	⑨	Drain valve
②	Pump cover	⑩	Tie rod
③	Motor	⑪	Power switch
④	Air intake	⑫	Safety valve
⑤	Handle	⑬	Pressure gauge
⑥	Check valve	⑭	Air release valve
⑦	Air tank	⑮	Foot pads
⑧	Caster	/	/

Special Safety Rules for Air Compressors

1. Please read this instruction manual carefully before use.
2. The air compressor should be stored in a dry and well-ventilated room, and must be kept away from corrosive, rotting, and flammable chemicals. The storage period is within 2 years from the date of manufacture. Inspection and maintenance or necessary tests should be carried out after the storage period.
3. Collisions with the air compressor must be avoided. The air compressor must remain upright during use. Do not tilt the product or turn it upside down during transportation to avoid malfunction.
4. To ensure safe use and extend the service life, the air compressor must be placed in a well-ventilated, clean, and cool area. Avoid use in environments with high temperature, dirty air, dust, or oily fuel waste.
5. Ensure the switch is in the OFF position before connecting to power source. After connecting the power supply, turn the power switch to the ON position to start the air compressor. Supply voltage must be within $\pm 10\%$ of nameplate voltage.
6. Please protect the air compressor from water intrusion, and do not place it in a damp or cold environment to avoid malfunction.
7. To prevent burns, do not touch hot components such as the cylinder head, exhaust pipe, or check valve during operation.
8. The cross-sectional area of the power cord should meet the electrical code requirements, and the cord should not be too long, to avoid cord heating and excessive voltage drop, which can affect air compressor start-up.
9. The operating temperature of this compressor is between 0°C and 37°C .

Performance parameters

Model	DL659015	DL659030	DL659050
Voltage/Frequency	220V/50Hz	220V/50Hz	220V/50Hz
Rated power	1390W	1390W	1390W \times 2
No-load speed	2850r/min	2850r/min	2850r/min
Working pressure	0.7Mpa	0.7Mpa	0.7Mpa
Air Tank capacity	15L	30L	50L
Displacement	210L/min	210L/min	420L/min
Weight	19.34kg	22.3kg	44kg
External dimensions	195x475x505mm	310x630x710mm	390x680x620mm

Operating Instructions

1. Start-up: Before you start the air compressor, make sure the drain valve, exhaust valve, and safety valve are closed. Connect the machine to power supply, pull the power switch and set it to the ON or Auto position, after which the machine will start. If the machine does not start, lower the air pressure in the air tank to below 0.4MPa and try again. (The switch is set to the OFF position when the machine leaves factory.)
2. Turning off: Press the power switch and set it to the OFF position. Then, when the machine stops running, unplug the compressor. In case abnormality occurs during operation, press the power switch promptly for an emergency stop.
3. Safety valve: A safety valve is installed on the meter bracket. When the pressure in the air tank exceeds 0.88MPa, the safety valve will whistle and exhaust the excess pressure. When the safety valve whistles, the air pressure switch no longer functions. Check and repair the air pressure switch and make sure the working pressure of the air pressure switch does not exceed the nameplate pressure.
4. Drain valve: After each use and the air compressor shuts off, please open the drain valve and drain water from air tank to prevent the tank wall from rusting. Close the drain valve tightly before you start up the machine again.

Troubleshooting

Problem	Possible Cause	Solution
The motor does not rotate and there is no sound	<ol style="list-style-type: none"> 1. No power 2. Pressure switch is off 3. Overload protector is in the protection state 4. Pressure switch is damaged 5. Motor stator winding is burned out 	<ol style="list-style-type: none"> 1. Check the plug and switch 2. Reset the switch and find out the reason 3. The overload protector will restart after the motor cools down 4. Contact a reliable service provider 5. Replace the stator
There is current noise to the motor, but it does not run or rotates very slowly	<ol style="list-style-type: none"> 1. Voltage is too low 2. Short circuit or open circuit of motor coil 3. Damaged check valve or pressure switch 	<ol style="list-style-type: none"> 1. Check the voltage, ensure that it is not less than 10% of the rated voltage 2. Contact a reliable service provider 3. Contact a reliable service provider
The overload protector repeatedly cuts off the power	<ol style="list-style-type: none"> 1. Voltage is too low 2. Poor ventilation, excessive heat 	<ol style="list-style-type: none"> 1. Check the voltage, ensure that it is not less than 90% of the rated voltage 2. Place the air compressor in a well-ventilated area
The exhaust air contains excessive moisture	<ol style="list-style-type: none"> 1. There is excessive water in the air tank 2. Working environment humidity is too high 	<ol style="list-style-type: none"> 1. Drain water from the air tank 2. Relocate the air compressor to a place with low humidity or use an oil-water separator

Problem	Possible Cause	Solution
Air compressor won't stop running	<ol style="list-style-type: none"> 1. Pressure switch is damaged 2. There is a leak 	<ol style="list-style-type: none"> 1. Replace the pressure switch 2. Check and vent
The air compressor vibrates excessively	<ol style="list-style-type: none"> 1. Loose fasteners 2. Damaged or missing support foot pads 	<ol style="list-style-type: none"> 1. Check and exclude the issue 2. Replace or add foot pads
The pressure does not increase or does not reach the rated pressure	<ol style="list-style-type: none"> 1. Drain valve is open 2. Air filter is blocked 3. Air leak 4. Valve plate is malfunctioning or foreign objects are causing air leakage 5. Excessive piston cup wear 6. Damaged pressure gauge 	<ol style="list-style-type: none"> 1. Tighten drain valve 2. Clean or replace filter element 3. Check and exclude the issue 4. Clean or replace valve plate 5. Replace piston cup 6. Replace pressure gauge

Maintenance and Inspection

Always unplug the compressor and release air pressure from the tank before attempting any maintenance.

1. Scrub and maintain your air compressor regularly to keep it clean. A clean pump cover helps the pump head dissipate heat.
2. Drain water from air tank at least once a week. When draining, the air in the air tank must be completely exhausted to prevent hazards. To prevent pollution, water drained from the air tank should be collected and disposed of separately. After the air tank is drained, close the drain valve.
3. Check the safety valve regularly to make sure it operates properly, exhausts air easily, and restores immediately after pressing the valve stem.
4. After every 500 hours of use, please remove and clean or replace the air filter element, also, remove and clean the air valve. When the air compressor takes longer than usual to pressurize, check whether the air filter is blocked, whether the pipe connections are leaking, and whether the piston cup is worn. If there are any irregularities, promptly repair or replace the components.

Accessory Description

Included accessories:

DL659015: foot pad x4, 6*16 hexagonal bolt x4, M6 nut x4, muffler x2

DL659030: 6-inch caster x2, foot pad x1, 8*25 hexagonal bolt x1, M8 nut x1, axle bolt x2, M10 nut x2, muffler x2, push rod x1, M6*8 screw x4

DL659050: 6-inch caster x2, foot pad x2, 8*25 hexagonal bolt x2, M8 nut x2, axle bolt x2, M10 nut x2, muffler x4, push rod x1, M6*8 screw x4

Optional Accessories

CAUTION:

1. These accessories or devices are exclusive for use with the Deli air compressors listed in this manual. Use of accessories or devices from other brands may result in personal injury.
2. The accessories or devices can only be used for specific purposes.
3. For more information about the accessories, please consult your local Deli Tool Repair Center.

Product Certificate

Inspector:

01

Date of manufacture:

2020-04-06

NINGBO DELI TOOLS CO., LTD.

No. 128 Chezhan West Road, Huangtan Town,
Ninghai County, Ningbo, Zhejiang, China
info@nbdeli.com www.deliworld.com
+86 574 87562689 MADE IN CHINA

Reserved for future use

Version: 1.0

Date: December, 2020