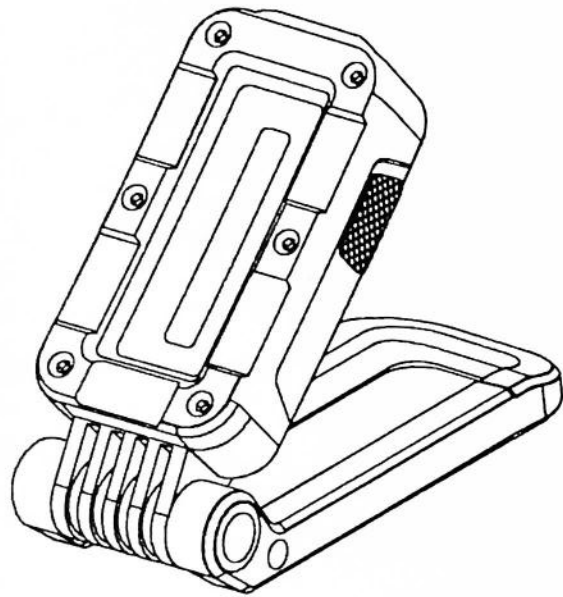


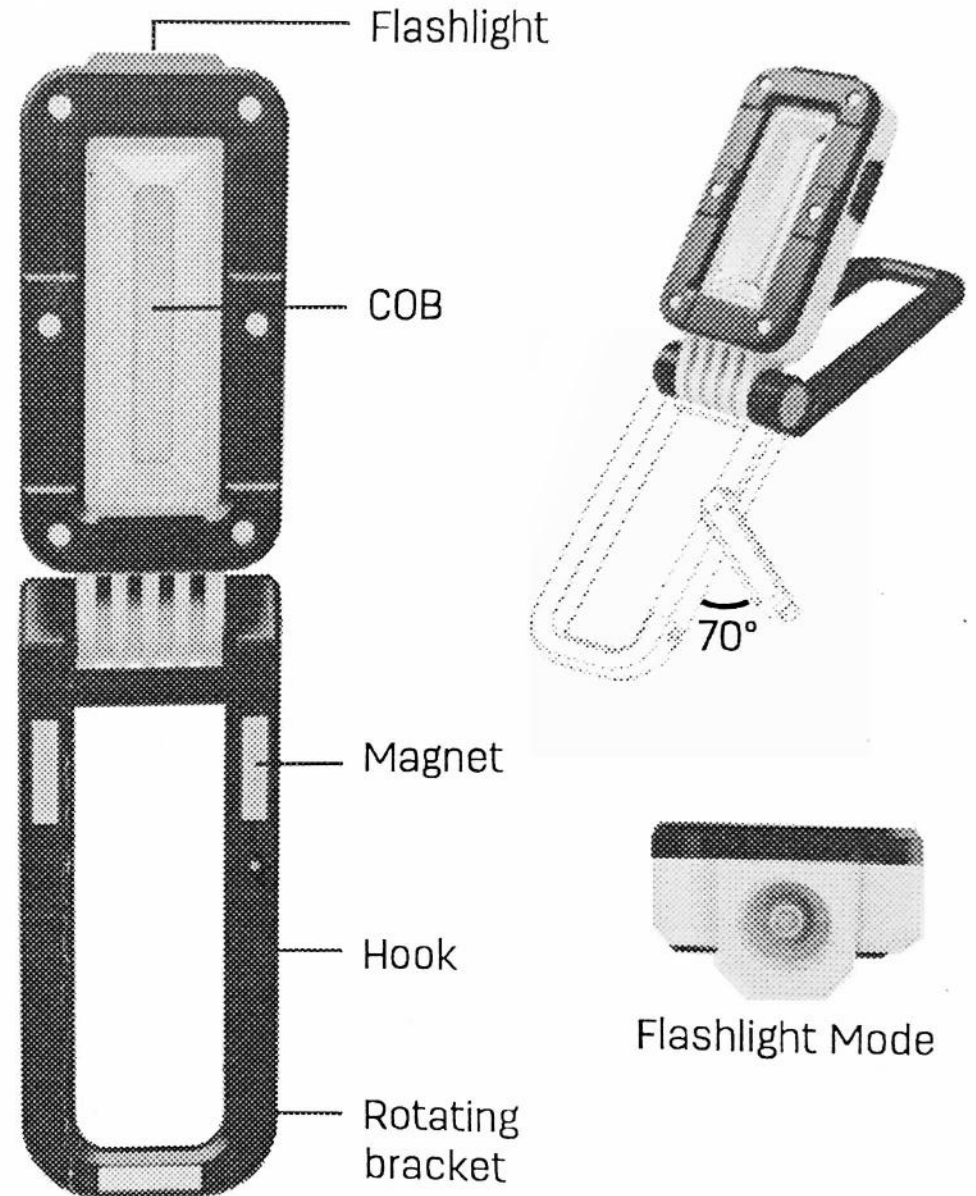


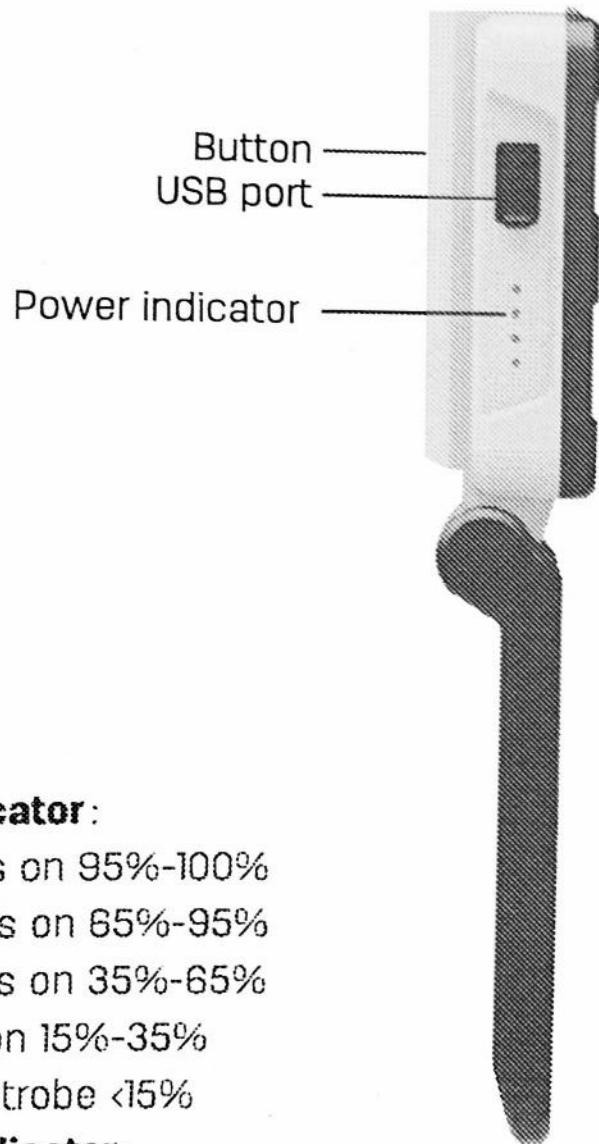
# User Manual

LITHIUM DUAL-LIGHT WORK LIGHT  
DL5419



## DETAILS





## SPECIFICATIONS

Max: 380LM

Running time: 4H

Capacity: 2000mAh LED

COB(6500K)+Chinese LED ( 6500K )

Mode:

Mode 1: Middle – High – Low – Off ( Floodlight )

Mode 2: High – Low – Off ( Flashlight Mode )

( Press and hold the button to exchange mode 1 and 2.

Press button to turn off the light if no operation exceed 3s )

Use scene: Hand-held, magnet basement, Hook, Stand

Water resistance: IPX5

Mainly material: ABS / PA66-GF30

Size: 55x123x32mm ( Folded size )

55x215x32mm ( Expand size )

Weight: 180g

### Power indicator :

4 blue lights on 95%-100%

3 blue lights on 65%-95%

2 blue lights on 35%-65%

1 blue light on 15%-35%

1 blue light strobe <15%

### Charging indicator :

<15%, 1 blue light strobe

15%-35%, 1 blue light on, the second one strobe

35%-65%, 2 blue lights on, the third one strobe

65%-95%, 3 blue lights on, the fourth one strobe

5%-100%, 4 blue lights on